

NOTES1:

UL Standard

1. Rated Voltage/Current : 300V / 27A
2. Withstanding Voltage : AC3000V/1Min.
3. Wire Range : 24~10AWG

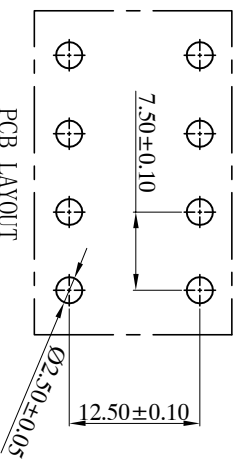
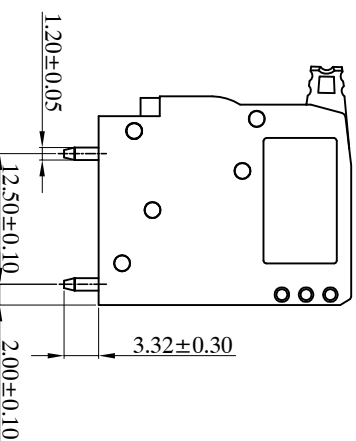
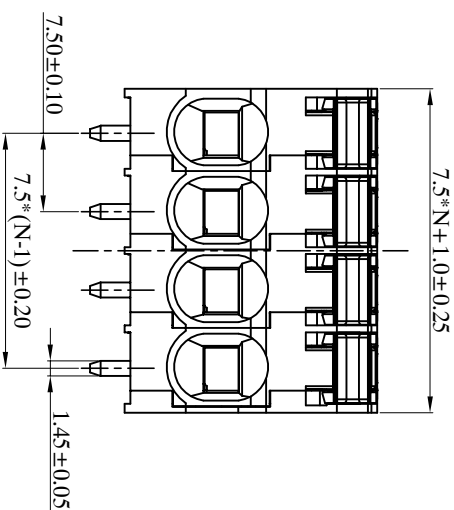
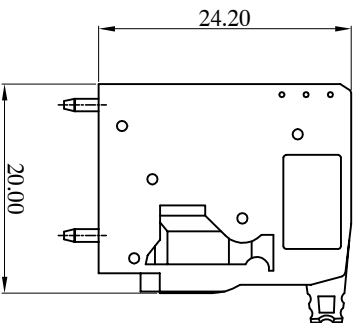
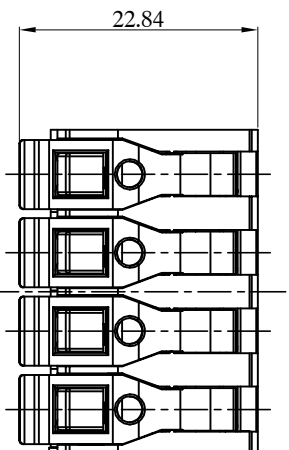
NOTES2:

1. Dimension shall be interpreted per ASME Y14.5-2009
2. Pitch : 7.50mm, Poles : N=02-24P
3. Stripping length : 15-16 mm
4. Operating temperature : -40° C~+105° C
5. Undimensioned Tolerances:

P 距方向公差(mm)	其他尺寸公差(mm)	-	∩	∇
≤8	8 ~ 16	≤6	6 ~ 30	90 ~ 200
±0.08	16 ~ 24	±0.10	30 ~ 90	200 ~ 480
		±0.13	±0.18	±0.20
		±0.10	±0.20	±0.30
		±0.50	±0.50	±0.70
				±1°

Ordering Information

JL 206-750 XX W 0 1



DRAW	LICHAO LIU		SCALE	F/T	PART NO.	JL206-750XXW01
	UNIT	mm	UNIT	mm		
CHECK	LICHAO LIU		SIZE	A4	TITLE:	JL206-7.5-XP弹簧式/白色
	APPROVE	YONGLIANG GAO	SHEET	1/1		
PROJECT		PROJECT				

JILIN 东莞市锦凌电子有限公司
DONGGUAN JILIN ELECTRONIC CO., LTD

REVISION RECORD			
REV	ECN	DESCRIPTION	DATE
A0		NEW	20.12.02