



HDC HSB

TE Internal #: 2-1103640-3

TE Internal Description: HE.24.STI.C

[View on TE.com >](#)



Product Compliance

[For compliance documentation, visit the product page on TE.com>](#)

| | |
|---|--|
| EU RoHS Directive 2011/65/EU | Compliant |
| EU ELV Directive 2000/53/EC | Compliant |
| China RoHS 2 Directive MIIT Order No 32, 2016 | No Restricted Materials Above Threshold |
| EU REACH Regulation (EC) No. 1907/2006 | Current ECHA Candidate List: JUNE 2024 (241) Candidate List Declared Against: JAN 2022 (223) Does not contain REACH SVHC |
| Halogen Content | Not Yet Reviewed for halogen content |
| Solder Process Capability | Not applicable for solder process capability |

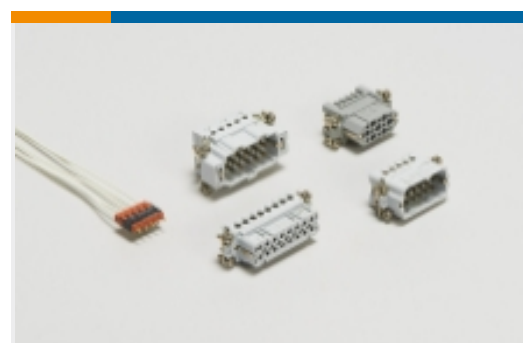
Product Compliance Disclaimer

This information is provided based on reasonable inquiry of our suppliers and represents our current actual knowledge based on the information they provided. This information is subject to change. The part numbers that TE has identified as EU RoHS compliant have a maximum concentration of 0.1% by weight in homogenous materials for lead, hexavalent chromium, mercury, PBB, PBDE, DBP, BBP, DEHP, DIBP, and 0.01% for cadmium, or qualify for an exemption to these limits as defined in the Annexes of Directive 2011/65/EU (RoHS2). Finished electrical and electronic equipment products will be CE marked as required by Directive 2011/65/EU. Components may not be CE marked. Additionally, the part numbers that TE has identified as EU ELV compliant have a maximum concentration of 0.1% by weight in homogenous materials for lead, hexavalent chromium, and mercury, and 0.01% for cadmium, or qualify for an exemption to these limits as defined in the Annexes of Directive 2000/53/EC (ELV). Regarding the REACH Regulation, the information TE provides on SVHC in articles for this part number is based on the latest European Chemicals Agency (ECHA) 'Guidance on requirements for substances in articles' posted at this URL: <https://echa.europa.eu/guidance-documents/guidance-on-reach>

Also in the Series | HDC HSB



Insertion & Extraction Tools(2)

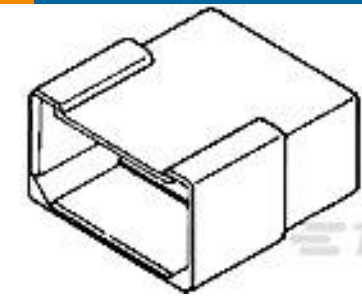


Rectangular Contact Inserts(8)

Customers Also Bought



TE Part #1658613-4
09 POS HDF PLUG, MS, LEAD FREE



TE Part #480004-5
FF 250 TAB HSG 6P NYLON NAT



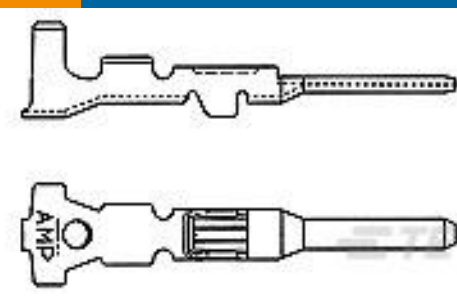
TE Part #322798
SOLIS R HR 22-16COM 22-18MIL 8



TE Part #180916
FF 250 TAB HSG 1P NYLON NAT



TE Part #1658612-4
09 POS HDF RCPT, MS, LEAD FREE



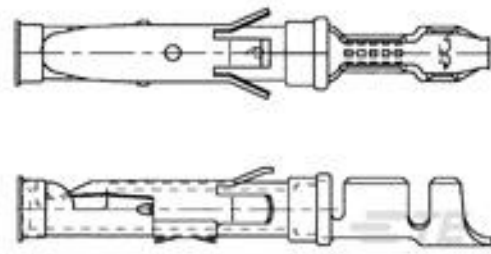
TE Part #183024-1
MINI MIC TAB L.P.




TE Part #1936113001
100G0111-2.50-9



TE Part #867951-000
CWT-3809



TE Part #163083-2
.062 DIA SOC ASS 3+



TE Part #9-1579007-7
TUBE

Documents

CAD Files

3D PDF

3D

Customer View Model

[ENG_CVM_CVM_2-1103640-3_E_c-2-1103640-3-e.2d_dxf.zip](#)

English

Customer View Model

[ENG_CVM_CVM_2-1103640-3_E_c-2-1103640-3-e.3d_igs.zip](#)

English

Customer View Model

[ENG_CVM_CVM_2-1103640-3_E_c-2-1103640-3-e.3d_stp.zip](#)

English

By downloading the CAD file I accept and agree to the [Terms and Conditions](#) of use.

Agency Approvals

[Agency Approval Document](#)

English

