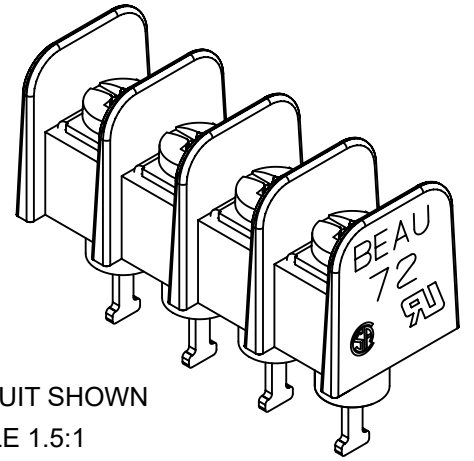
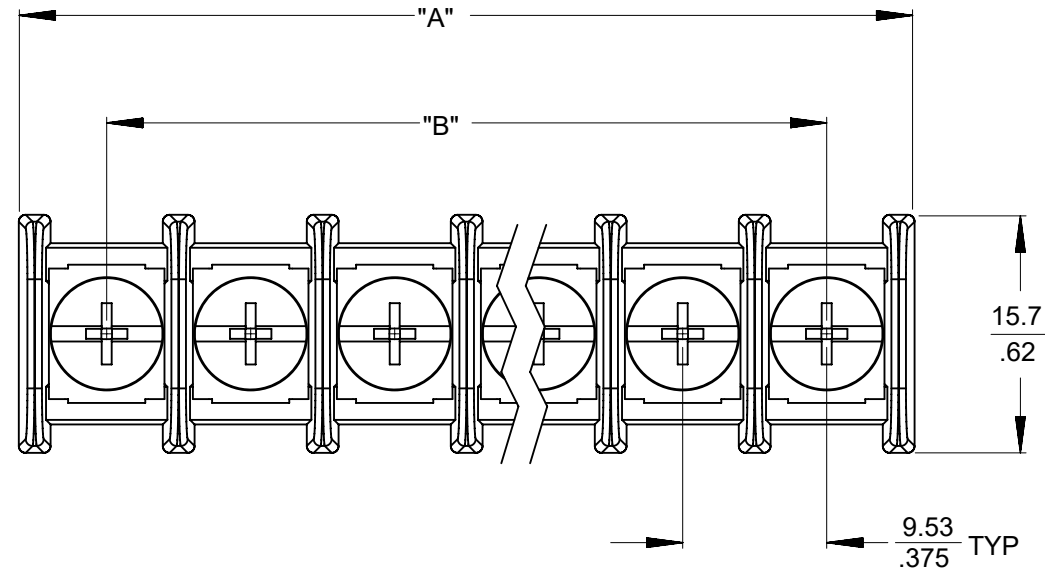
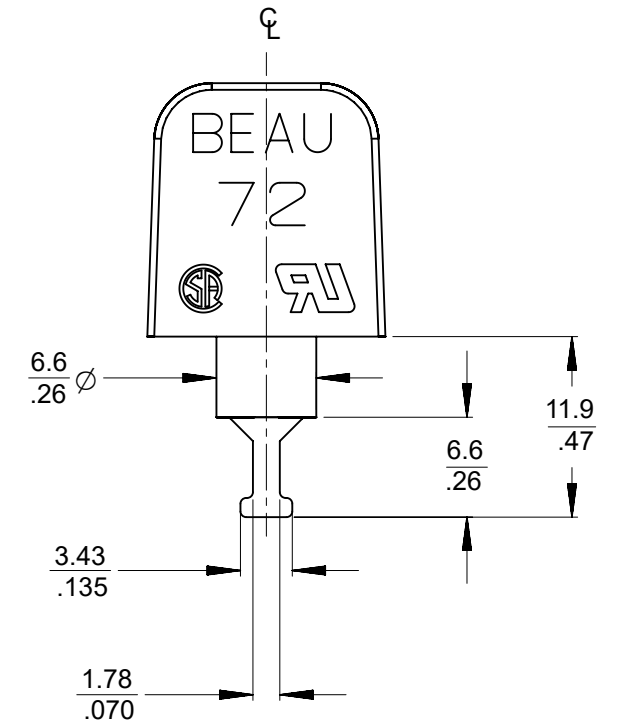
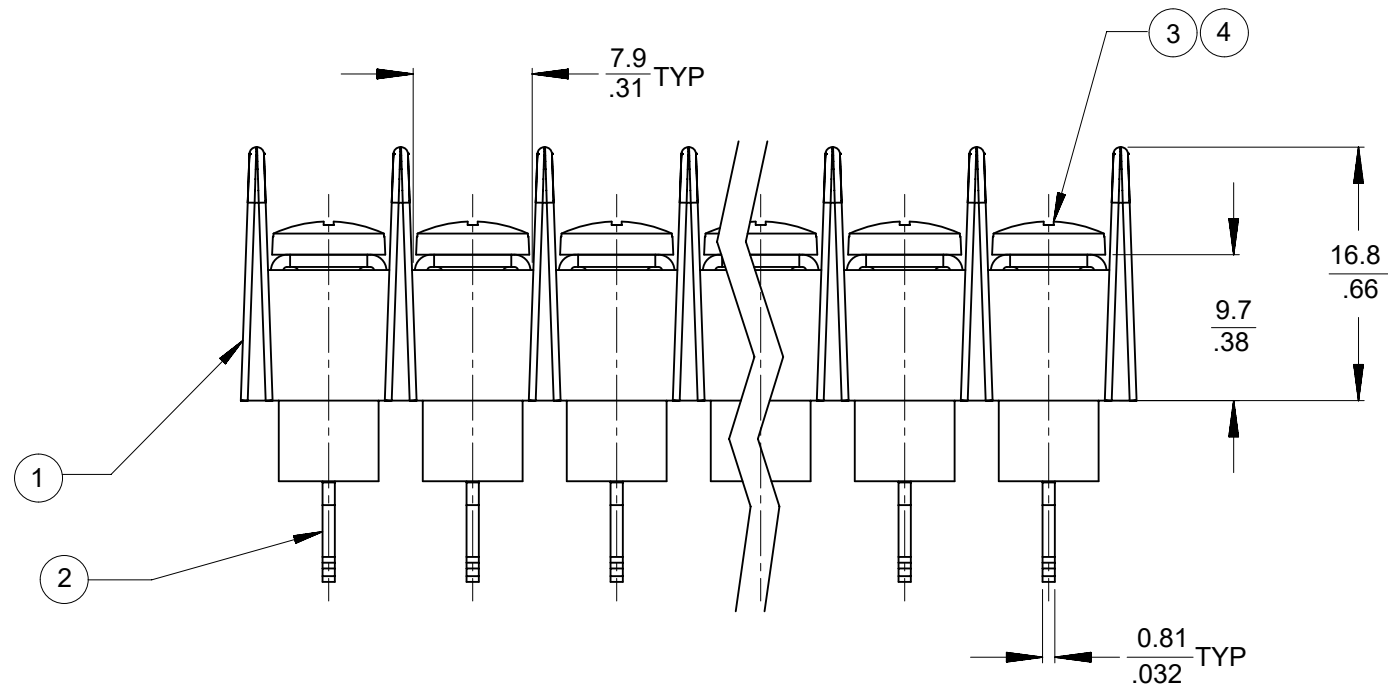


REF. -50 OPT. SCREW  
(WHERE APPLICABLE)



4 CIRCUIT SHOWN  
SCALE 1.5:1



NOTES:

1. MATERIAL: SEE TABLE.
2. FINISHES: SEE TABLE.
3. PRODUCT SPECIFICATION: NOT REQUIRED.
4. ROHS COMPLIANT.

5	XX	SCREW/WASHER, #6-32X.250 PAN PH/SL (-50 OPT)	STEEL	ZN, CLEAR CHROMATE
4	XX	SCREW, #6-32X.250 BHD PH/SL (-49 OPT)	BRASS	NICKEL PLATE
3	XX	SCREW, #6-32X.250 BHD PH/SL (STANDARD)	STEEL	ZN, CLEAR CHROMATE
2	XX	TERMINAL, TURRETTERMINAL, TURRET	BRASS	TIN PLATE
1	1	SR BTS INSULATOR	POLYESTER (PBT)	BLACK
ITEM	QTY.	DESCRIPTION	MATERIAL	FINISH

THIS DRAWING CONTAINS INFORMATION THAT IS PROPRIETARY TO MOLEX ELECTRONIC TECHNOLOGIES, LLC AND SHOULD NOT BE USED WITHOUT WRITTEN PERMISSION									
FUNCTIONAL SYMBOLS	DIMENSION UNITS		SCALE		CURRENT REV DESC: REMOVED OBSOLETE PART NUMBERS AS PER PCN#515181				
$\frac{F}{A} = 0$	MM/IN		2:1		<b>molex</b> 9.53MM [.375"] SR BTS ASSY, INSULATED TURRET TERM. NO MTG. ENDS PRODUCT CUSTOMER DRAWING EC NO: 793824 DRWN: MADHAM5 CHK'D: GGA APPR: GGA INITIAL REVISION: DRWN: J. ENCINAS APPR: JMACNEIL 2024/06/05 2024/08/14 2024/08/14 2008/07/22 2008/07/24				
$\frac{E}{E} = 0$	GENERAL TOLERANCES (UNLESS SPECIFIED)								
$\frac{E}{E} = 0$	4 PLACES ±		±						
DIVISIONAL SYMBOLS	3 PLACES ±		± 0.005						
	2 PLACES ±		± 0.13 ± 0.01						
	1 PLACE ±		± 0.3 ±						
	0 PLACES ±		±						
	ANGULAR TOL		± 2.0 °		DOCUMENT NUMBER				
	DRAFT WHERE APPLICABLE MUST REMAIN WITHIN DIMENSIONS		THIRD ANGLE PROJECTION		DRAWING		SERIES		SHEET NUMBER
					B-SIZE		38720		1 OF 2
					SEE TABLE		GENERAL MARKET		SD-38720-012 PSD 001 A1

F  
E  
D  
C  
B  
A

# OF CIRCUITS "XX"	DIM. "A"		DIM. "B"		ASSEMBLY MATERIAL NO. (STD OPT)	ASSEMBLY MATERIAL NO. (-49 OPT)	ASSEMBLY MATERIAL NO. (-50 OPT)
	mm	in	mm	in			
2	21.1	0.83	9.53	0.375	387203302	---	---
3	30.6	1.21	19.05	0.75	387203303	387203603	---
4	40.1	1.58	28.58	1.125	387203304	---	---
5	49.7	1.96	38.1	1.5	---	387203605	---
6	59.2	2.33	47.63	1.875	387203306	387203606	---
7	68.7	2.71	57.15	2.25	387203307	387203607	---
8	78.2	3.08	66.68	2.625	---	387203608	387203908
9	87.8	3.46	76.2	3	---	---	387203909
10	97.3	3.83	85.73	3.375	---	387203610	387203910
11	106.8	4.21	95.25	3.75	387203311	387203611	387203911
12	116.3	4.58	104.78	4.125	---	387203612	387203912
13	125.9	4.96	114.3	4.5	387203313	387203613	387203913
14	135.4	5.33	123.83	4.875	387203314	387203614	387203914
15	144.9	5.71	133.35	5.25	---	387203615	---
16	154.4	6.08	142.88	5.625	387203316	387203616	---
17	164	6.46	152.4	6	387203317	387203617	387203917
19	183	7.21	171.45	6.75	387203319	387203619	387203919
20	192.5	7.58	180.98	7.125	---	387203620	---
21	202.1	7.96	190.5	7.5	387203321	387203621	387203921
22	211.6	8.33	200.03	7.875	387203322	387203622	387203922
23	221.1	8.71	209.55	8.25	387203323	387203623	387203923
24	230.6	9.08	219.08	8.625	387203324	387203624	387203924
25	240.2	9.46	228.6	9	---	387203625	387203925
26	249.7	9.83	238.13	9.375	387203326	387203626	387203926

FUNCTIONAL SYMBOLS	THIS DRAWING CONTAINS INFORMATION THAT IS PROPRIETARY TO MOLEX ELECTRONIC TECHNOLOGIES, LLC AND SHOULD NOT BE USED WITHOUT WRITTEN PERMISSION						
	$\frac{E}{A} = 0$ $\frac{E}{E} = 0$ $\frac{E}{P} = 0$	DIMENSION UNITS <b>MM/IN</b>	SCALE <b>2:1</b>	CURRENT REV DESC: REMOVED OBSOLETE PART NUMBERS AS PER PCN#515181			
DIVISIONAL SYMBOLS	GENERAL TOLERANCES (UNLESS SPECIFIED)		EC NO: 793824 DRWN: MADHAM5 CHK'D: GGA APPR: GGA		2024/06/05 2024/08/14 2024/08/14		PRODUCT CUSTOMER DRAWING DOCUMENT NUMBER: <b>SD-38720-012</b> DOC TYPE: PSD DOC PART: 001 REVISION: A1
	4 PLACES ± 3 PLACES ± 2 PLACES ± 0.13 1 PLACE ± 0.3 0 PLACES ±	MM INCH	± ± 0.005 ± 0.01 ±	INITIAL REVISION: DRWN: J. ENCINAS APPR: JMACNEIL	2008/07/22 2008/07/24	MATERIAL NUMBER: SEE TABLE CUSTOMER: GENERAL MARKET	
	DRAFT WHERE APPLICABLE MUST REMAIN WITHIN DIMENSIONS		THIRD ANGLE PROJECTION	DRAWING: B-SIZE	SERIES: 38720		