

TMS3705 Transponder Base Station IC

1 Device Overview

1.1 Features

- Base Station IC for TI-RFid™ RF Identification Systems
- Drives Antenna
- Sends Modulated Data to Antenna
- Detects and Demodulates Transponder Response (FSK)
- Short-Circuit Protection
- Diagnosis
- Sleep-Mode Supply Current: 0.2 mA
- Designed for Automotive Requirements
- 16-Pin SOIC (D) Package

1.2 Applications

- Car Access
- Immobilization
- Building Access
- Livestock Reader

1.3 Description

The TMS3705 transponder base station IC is used to drive the antenna of a TI-RFid transponder system, to send data modulated on the antenna signal, and to detect and demodulate the response of the transponder. The response of the transponder is a frequency shift keyed (FSK) signal. The high or low bits are coded in two different high-frequency signals (134.2 kHz for low bits and 123 kHz for high bits, nominal). The transponder induces these signals in the antenna coil according an internally stored code. The energy that the transponder needs to send out the data is stored in a charge capacitor in the transponder. The antenna field charges this capacitor in a preceding charge phase. The IC has an interface to an external microcontroller.

There are two configurations for the clock supply to both the microcontroller and the base station IC:

1. The microcontroller and base station IC are supplied with a clock signal derived from only one resonator: The resonator is attached to the microcontroller. The base station IC is supplied with a clock signal driven by the digital clock output of the microcontroller. The clock frequency is either 4 MHz or 2 MHz, depending on the selected microcontroller type.
2. The microcontroller and the base station each have their own resonator.

The base station IC has an on-chip PLL that generates a clock frequency of 16 MHz for internal clock supply only. Only TMS3705BDRG4 and TMS3705DDRQ1 are recommended in combination with AES transponder products (for example, TRPWS21GTEA or RF430F5xxx). TMS3705A1DRG4 cannot be used in combination with AES transponder products.

Device Information⁽¹⁾

PART NUMBER	PACKAGE	BODY SIZE ⁽²⁾
TMS3705A1DRG4	SOIC (16)	9.9 mm × 3.91 mm
TMS3705BDRG4	SOIC (16)	9.9 mm × 3.91 mm
TMS3705CDRQ1	SOIC (16)	9.9 mm × 3.91 mm
TMS3705DDRQ1	SOIC (16)	9.9 mm × 3.91 mm

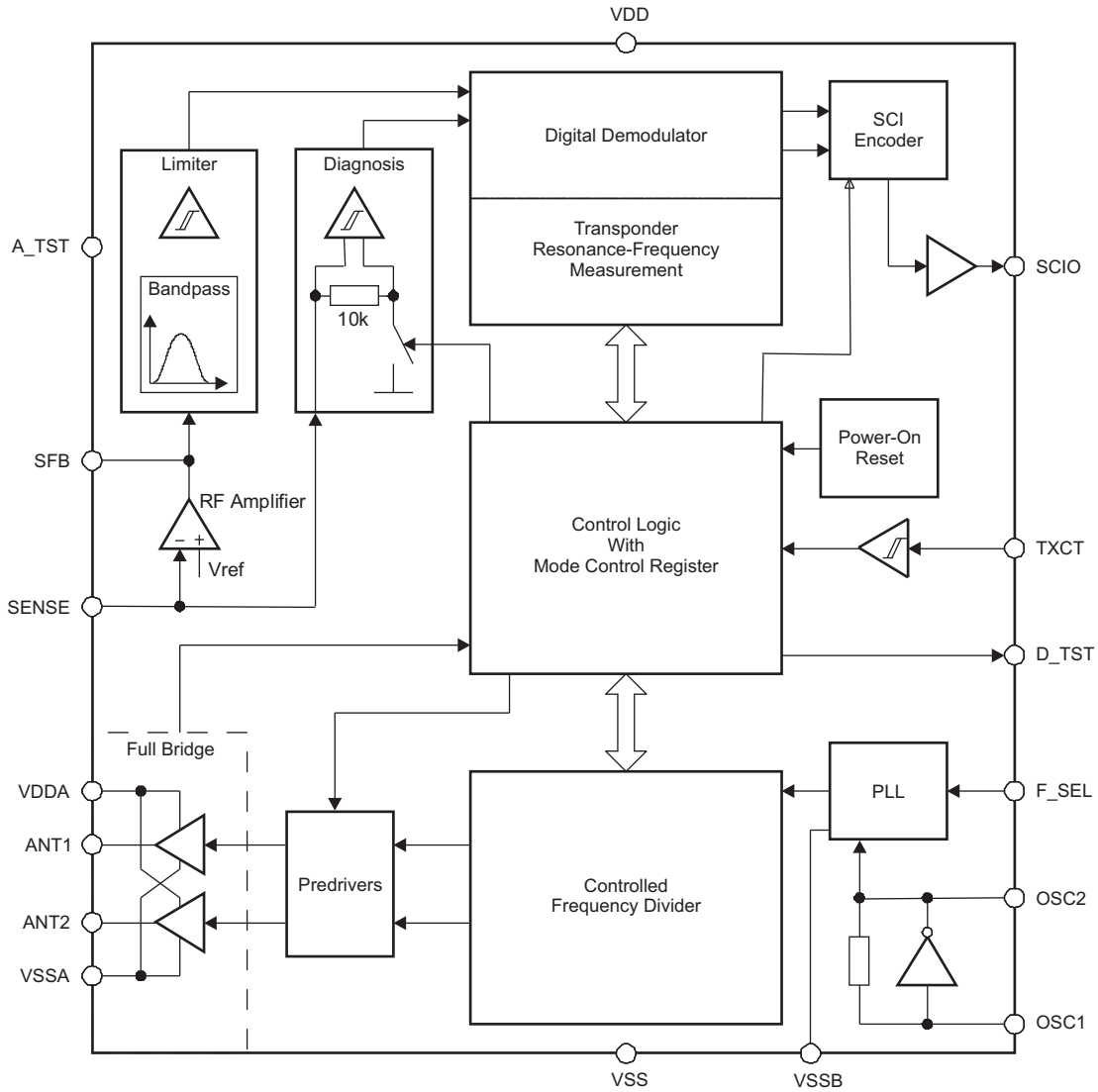
(1) For the most current part, package, and ordering information for all available devices, see the *Package Option Addendum* in [Section 9](#), or see the TI website at www.ti.com.

(2) The sizes shown here are approximations. For the package dimensions with tolerances, see the *Mechanical Data* in [Section 9](#).



1.4 Functional Block Diagram

Figure 1-1 shows the functional block diagram.



Copyright © 2016, Texas Instruments Incorporated

Figure 1-1. Functional Block Diagram

Table of Contents

1	Device Overview	1	6.5	RF Amplifier	11
1.1	Features	1	6.6	Band-Pass Filter and Limiter	12
1.2	Applications	1	6.7	Diagnosis	12
1.3	Description	1	6.8	Power-on Reset	12
1.4	Functional Block Diagram	2	6.9	Frequency Divider	12
2	Revision History	3	6.10	Digital Demodulator	12
3	Device Characteristics	4	6.11	Transponder Resonance-Frequency Measurement	13
3.1	Related Products	4	6.12	SCI Encoder	13
4	Terminal Configuration and Functions	5	6.13	Control Logic	14
4.1	Pin Diagram	5	6.14	Test Pins	16
4.2	Signal Descriptions	5	7	Applications, Implementation, and Layout	17
5	Specifications	6	7.1	Application Diagram	17
5.1	Absolute Maximum Ratings	6	8	Device and Documentation Support	18
5.2	ESD Ratings	6	8.1	Getting Started and Next Steps	18
5.3	Recommended Operating Conditions	6	8.2	Device Nomenclature	18
5.4	Electrical Characteristics	7	8.3	Tools and Software	19
5.5	Thermal Resistance Characteristics for D (SOIC) Package	8	8.4	Documentation Support	19
5.6	Switching Characteristics	8	8.5	Community Resources	20
5.7	Timing Diagrams	9	8.6	Trademarks	20
6	Detailed Description	11	8.7	Electrostatic Discharge Caution	20
6.1	Power Supply	11	8.8	Export Control Notice	20
6.2	Oscillator	11	8.9	Glossary	20
6.3	Predrivers	11	9	Mechanical, Packaging, and Orderable Information	21
6.4	Full Bridge	11			

2 Revision History

NOTE: Page numbers for previous revisions may differ from page numbers in the current version.

Changes from April 12, 2016 to October 18, 2016		Page
• Updated the last paragraph in Section 1.3, Description		1
• Added TMS3705CDRQ1 in the <i>Device Information</i> table		1
• Added Section 3, Device Characteristics		4
• Updated the paragraph that starts "The TMS3705xDRG4 can adjust the carrier frequency..." in Section 6.13, Control Logic		16
• Added Table 7-1, Bill of Materials (BOM)		17
• Changed the organization of Section 8, Device and Documentation Support		18
• Changed Figure 8-1, Device Nomenclature (added silicon rev C and Q100 qualification)		18

3 Device Characteristics

Table 3-1 lists the characteristics of the TMS3705.

Table 3-1. Device Characteristics

Characteristic	TMS3705
Data rate (maximum)	8 kbps
Frequency	134.2 kHz
Required antenna inductance	100 to 1000 μ H
Supply voltage	4.5 to 5.5 Vdc
Transmission principle	HDX, FSK

3.1 Related Products

For information about other devices in this family of products or related products, see the following links.

Products for Wireless Connectivity [Connect more – Industry’s broadest wireless connectivity portfolio](#)

Products for NFC / RFID Texas Instruments provides one of the industry’s largest, most differentiated NFC product portfolios enabling lower power solutions to meet a broad range of RF connectivity needs.

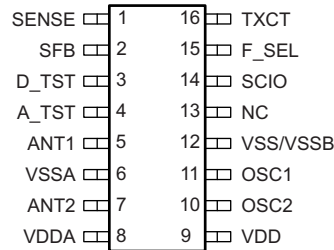
Companion Products for TMS3705 Review products that are frequently purchased or used with this product.

Reference Designs The TI Designs Reference Design Library is a robust reference design library that spans analog, embedded processor, and connectivity. Created by TI experts to help you jump start your system design, all TI Designs include schematic or block diagrams, BOMs, and design files to speed your time to market.

4 Terminal Configuration and Functions

4.1 Pin Diagram

Figure 4-1 shows the pinout of the 16-pin D (SOIC) package.



NC – No connection

Figure 4-1. 16-Pin D Package (Top View)

4.2 Signal Descriptions

Table 4-1 describes the device signals.

Table 4-1. Signal Descriptions

TERMINAL		TYPE	DESCRIPTION
NO.	NAME		
1	SENSE	Analog input	Input of the RF amplifier
2	SFB	Analog output	Output of the RF amplifier
3	D_TST	Digital output	Test output for digital signals
4	A_TST	Analog output	Test output for analog signals
5	ANT1	Driver output	Antenna output 1
6	VSSA	Supply input	Ground for the full bridge drivers
7	ANT2	Driver output	Antenna output 2
8	VDDA	Supply input	Voltage supply for the full bridge drivers
9	VDD	Supply input	Voltage supply for nonpower blocks
10	OSC2	Analog output	Oscillator output
11	OSC1	Analog input	Oscillator input
12	VSS/VSSB	Supply input	Ground for nonpower blocks and PLL
13	NC		Not connected
14	SCIO	Digital output	Data output to the microcontroller
15	F_SEL	Digital input	Control input for frequency selection (default value is high)
16	TXCT	Digital input	Control input from the microcontroller (default value is high)

5 Specifications

5.1 Absolute Maximum Ratings⁽¹⁾

over operating free-air temperature range (unless otherwise noted)

			MIN	MAX	UNIT
V _{DD}	Supply voltage range	VDD, VSS/VSSB, VDDA, VSSA	-0.3	7	V
V _{OSC}	Voltage range	OSC1, OSC2	-0.3	V _{DD} + 0.3	V
V _{inout}	Voltage range	SCIO, TXCT, F_SEL, D_TST	-0.3	V _{DD} + 0.3	V
I _{inout}	Overload clamping current	SCIO, TXCT, F_SEL, D_TST	-5	5	mA
V _{ANT}	Output voltage	ANT1, ANT2	-0.3	V _{DD} + 0.3	V
I _{ANT}	Output peak current	ANT1, ANT2	-1.1	1.1	A
V _{analog}	Voltage range	SENSE, SFB, A_TST	-0.3	V _{DD} + 0.3	V
I _{SENSE}	SENSE input current	SENSE, SFB, A_TST	-5	5	mA
I _{SFB}	Input current in case of overvoltage	SFB	-5	5	mA
T _A	Operating ambient temperature		-40	85	°C
T _{stg}	Storage temperature		-55	150	°C
P _D	Total power dissipation at T _A = 85°C			0.5	W

- (1) Stresses beyond those listed under *Absolute Maximum Ratings* may cause permanent damage to the device. These are stress ratings only, and functional operation of the device at these or any other conditions beyond those indicated under *Recommended Operating Conditions* is not implied. Exposure to absolute-maximum-rated conditions for extended periods may affect device reliability.

5.2 ESD Ratings

		VALUE	UNIT
V _{ESD}	ESD protection (MIL STD 883)	±2000	V

5.3 Recommended Operating Conditions

			MIN	NOM	MAX	UNIT
V _{DD}	Supply voltage	VDD, VSS/VSSB, VDDA, VSSA	4.5	5	5.5	V
f _{osc}	Oscillator frequency	OSC1, OSC2		4		MHz
V _{IH}	High-level input voltage	F_SEL, TXCT, OSC1	0.7 V _{DD}			V
V _{IL}	Low-level input voltage	TXCT, OSC1			0.3 V _{DD}	V
		F_SEL			0.2 V _{DD}	
I _{OH}	High-level output current	SCIO, D_TST	-1			mA
I _{OL}	Low-level output current	SCIO, D_TST			1	mA

5.4 Electrical Characteristics

 $V_{DD} = 4.5\text{ V to }5.5\text{ V}$, $f_{osc} = 4\text{ MHz}$, $F_SEL = \text{high}$, over operating free-air temperature range (unless otherwise noted)

PARAMETER		TEST CONDITIONS	MIN	TYP	MAX	UNIT
Power Supply (VDD, VSS/VSSB, VDDA, VSSA)						
I_{DD}	Supply current	Sum of supply currents in Charge phase, without antenna load		8	20	mA
I_{Sleep}	Supply current, Sleep state	Sum of supply currents in Sleep state, without I/O currents		0.015	0.2	mA
Oscillator (OSC1, OSC2)						
g_{osc}	Transconductance	$f_{osc} = 4\text{ MHz}$, 0.5 V_{pp} at OSC1	0.5	2	5	mA/V
C_{in}	Input capacitance at OSC1 ⁽¹⁾				10	pF
C_{out}	Output capacitance at OSC2 ⁽¹⁾				10	pF
Logic Inputs (TXCT, F_SEL, OSC1)						
R_{pullup}	Pullup resistance	TXCT	120		500	k Ω
		F_SEL	10		500	
Logic Outputs (SCIO, D_TST)						
V_{OH}	High-level output voltage		0.8 V_{DD}			V
V_{OL}	Low-level output voltage			0.2 V_{DD}		V
Full-Bridge Outputs (ANT1, ANT2)						
ΣR_{ds_on}	Sum of drain-source resistances	Full-bridge N-channel and P-channel MOSFETs at driver current $I_{ant} = 50\text{ mA}$		7	14	Ω
	Duty cycle	P-channel MOSFETs of full bridge	38%	40%	42%	
t_{on1}/t_{on2}	Symmetry of pulse durations for the P-channel MOSFETs of full bridge		96%		104.5%	
I_{oc}	Threshold for overcurrent protection		220		1100	mA
t_{oc}	Switch-off time of overcurrent protection	Short to ground with $3\ \Omega$	0.25		10	μs
t_{doc}	Delay for switching on the full bridge after an overcurrent		2	2.05	2.1	ms
I_{leak}	Leakage current				1	μA
Analog Module (SENSE, SFB, A_TST)						
I_{SENSE}	Input current	SENSE, In charge phase	-2		2	mA
V_{DCREF}/V_{DD}	DC reference voltage of RF amplifier, related to VDD		9.25%	10%	11%	
GBW	Gain-bandwidth product of RF amplifier	At 500 kHz with external components to achieve a voltage gain of minimum 4-mV_{pp} and 5-mV_{pp} input signal	2			MHz
φ_O	Phase shift of RF amplifier	At 134 kHz with external components to achieve a voltage gain of 5-mV_{pp} and 20-mV_{pp} input signal			16	$^\circ$
V_{sfb}	Peak-to-peak input voltage of band pass at which the limiter comparator should toggle ⁽²⁾	At 134 kHz (corresponds to a minimal total gain of 1000)	5			mV
f_{low}	Lower cut-off frequency of band-pass filter ⁽³⁾		24	60	100	kHz
f_{high}	Higher cut-off frequency of band-pass filter ⁽³⁾		160	270	500	kHz
ΔV_{hys}	Hysteresis of limiter	A_TST pin used as input, D_TST pin as output, offset level determined by band-pass stage	25	50	135	mV
Diagnosis (SENSE)						
I_{diag}	Current threshold for operating antenna ⁽⁴⁾		80		240	μA

(1) Specified by design

(2) Specified by design; functional test done for input voltage of 90 mV_{pp} .

(3) Band-pass filter tested at three different frequencies: $f_{mid} = 134\text{ kHz}$ and gain $> 30\text{ dB}$; $f_{low} = 24\text{ kHz}$; $f_{high} = 500\text{ kHz}$. Attenuation $< -3\text{ dB}$ (reference = measured gain at $f_{mid} = 134\text{ kHz}$).

(4) Internal resistance switched on and much lower than external SENSE resistance.

Electrical Characteristics (continued)

$V_{DD} = 4.5\text{ V to }5.5\text{ V}$, $f_{osc} = 4\text{ MHz}$, $F_SEL = \text{high}$, over operating free-air temperature range (unless otherwise noted)

PARAMETER		TEST CONDITIONS	MIN	TYP	MAX	UNIT
Phase-Locked Loop (D_TST)						
f_{pll}	PLL frequency		15.984	16	16.0166	MHz
$\Delta f/f_{pll}$	Jitter of the PLL frequency				6%	
Power-On Reset (POR)						
V_{por_r}	POR threshold voltage, rising	V_{DD} rising with low slope	1.9		3.5	V
V_{por_f}	POR threshold voltage, falling	V_{DD} falling with low slope	1.3		2.6	V

5.5 Thermal Resistance Characteristics for D (SOIC) Package

PARAMETER		VALUE	UNIT
$R_{\theta JA}$	Thermal resistance, junction to ambient ⁽¹⁾	130	°C/W

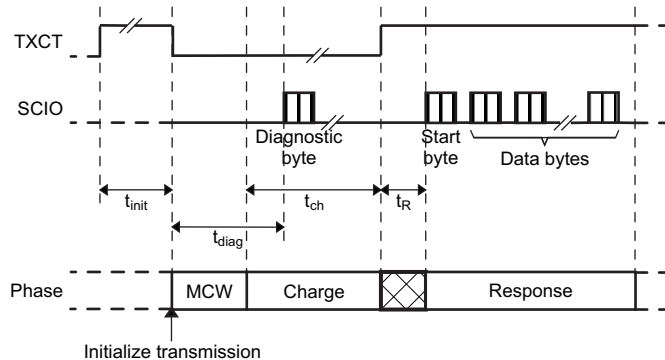
(1) The junction-to-ambient thermal resistance under natural convection is obtained in a simulation on a JEDEC-standard, High-K board, as specified in JESD51-7, in an environment described in JESD51-2a.

5.6 Switching Characteristics

$V_{DD} = 4.5\text{ V to }5.5\text{ V}$, $f_{osc} = 4\text{ MHz}$, $F_SEL = \text{high}$, over operating free-air temperature range (unless otherwise noted)

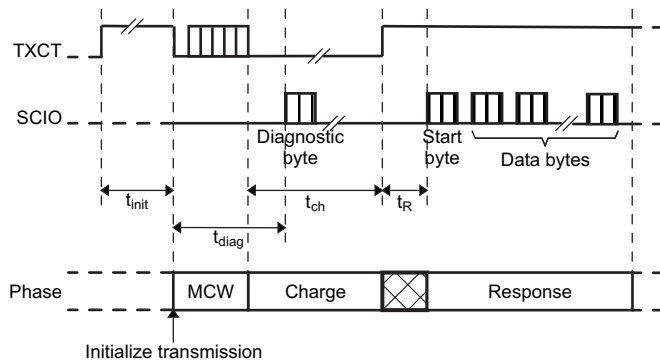
PARAMETER		TEST CONDITIONS	MIN	TYP	MAX	UNIT
$t_{init\ min}$	Time for TXCT high to initialize a new transmission	From start of the oscillator after power on or waking up until reaching the Idle state (see Figure 5-1 , Figure 5-2 , Figure 5-3)	2	2.05	2.2	ms
t_{diag}	Delay between leaving Idle state and start of diagnosis byte at SCIO	Normal operation (see Figure 5-1 , Figure 5-2 , Figure 5-3)	2	2.12	2.2	ms
t_R	Delay between end of charge or end of program and start of transponder data transmit on SCIO	See Figure 5-1 , Figure 5-2 , Figure 5-3 .		3		ms
t_{off}	Write pulse pause	See Figure 5-5 .	0.1			ms
t_{dwrite}	Signal delay on TXCT for controlling the full bridge	Write mode	73	79	85	μs
t_{mcr}	NRZ bit duration for mode control register	See Figure 5-4 .	121	128	135	μs
t_{sci}	NRZ bit duration on SCIO	Asynchronous mode (see Figure 5-6)	63	64	65	μs
t_{dstop}	Low signal delay on TXCT to stop	Synchronous mode			800	μs
t_{t_sync}	Total TXCT time for reading data on SCIO	Synchronous mode (see Figure 5-7)			900	μs
t_{sync}	TXCT period for shifting data on SCIO	Synchronous mode (see Figure 5-7)	4	64	100	μs
t_{l_sync}	Low phase on TXCT	Synchronous mode (see Figure 5-7)	2	32	$t_{sync} - 2$	μs
t_{ready}	Data ready for output after SCIO goes high	Synchronous mode (see Figure 5-7)	1		127	μs

5.7 Timing Diagrams



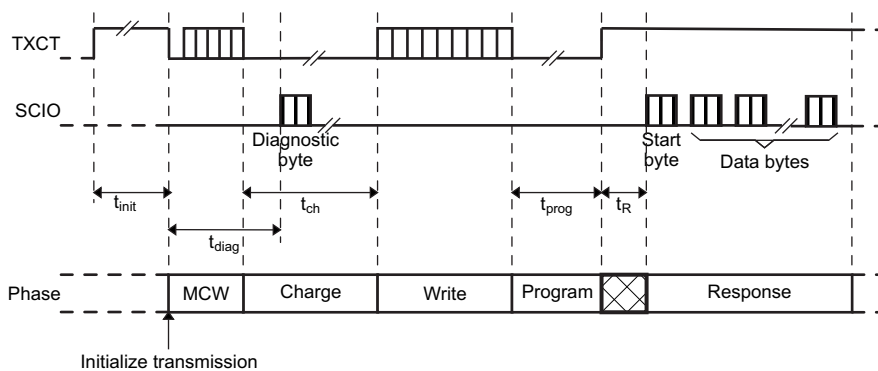
NOTE: MCW = Mode control write (to write into the mode control register)

Figure 5-1. Default Mode (Read Only, No Writing Into Mode Control Register)



NOTE: MCW = Mode control write (to write into the mode control register)

Figure 5-2. Read-Only Mode (Writing Into Mode Control Register)



NOTE: MCW = Mode control write (to write into the mode control register)

Figure 5-3. Write/Read Mode (Writing Into Mode Control Register)

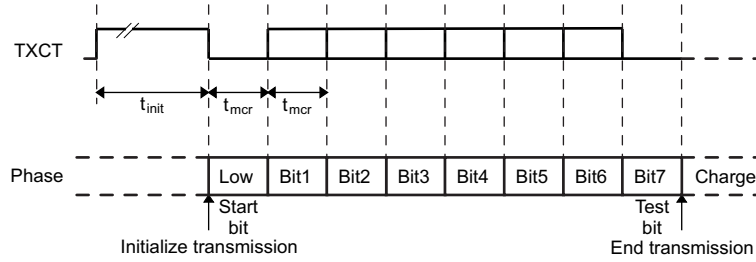


Figure 5-4. Mode Control Write Protocol (NRZ Coding)

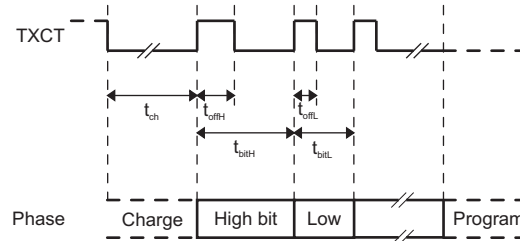


Figure 5-5. Transponder Write Protocol

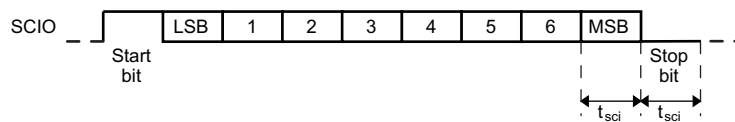


Figure 5-6. Transmission on SCIO in Asynchronous Mode (NRZ Coding)

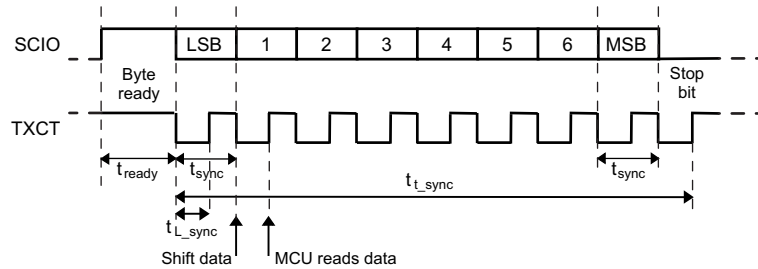


Figure 5-7. Transmission on SCIO in Synchronous Mode (NRZ Coding)
(For Diagnosis Byte and Data Bytes)

6 Detailed Description

6.1 Power Supply

The device is supplied with 5 V by an external voltage regulator through two supply pins, one for providing the driver current for the antenna and the analog part in front of the digital demodulator and one for supplying the other blocks.

The power supply supplies a power-on reset that brings the control logic into Idle state as soon as the supply voltage drops under a certain value.

In Sleep state, the sum of both supply currents is reduced to 0.2 mA. The base station device falls into Sleep state 100 ms after TXCT has changed to high. When TXCT changes to low or is low, the base station IC immediately goes into and remains in normal operation.

6.2 Oscillator

The oscillator generates the clock of the base station IC of which all timing signals are derived. Between its input and output a crystal or ceramic resonator is connected that oscillates at a typical frequency of 4 MHz. If a digital clock signal with a frequency of 4 MHz or 2 MHz is supplied to pin OSC1, the signal can be used to generate the internal operation frequency of 16 MHz.

The oscillator block contains a PLL that generates the internal clock frequency of 16 MHz from the input clock signal. The PLL multiplies the input clock frequency depending on the logic state of the input pin F_SEL by a factor of 4 (F_SEL is high) or by a factor of 8 (F_SEL is low).

In the Sleep state, the oscillator is off.

6.3 Predrivers

The predrivers generate the signals for the four power transistors of the full bridge using the carrier frequency generated by the frequency divider. The gate signals of the P-channel power transistors (active low) have the same width (± 1 cycle of the 16 MHz clock), the delay between one P-channel MOSFET being switched off and the other one being switched on is defined to be 12 cycles of the 16-MHz clock. In write mode the first activation of a gate signal after a bit pause is synchronized to the received transponder signal by a phase shift of 18° .

6.4 Full Bridge

The full bridge drives the antenna current at the carrier frequency during the charge phase and the active time of the write phase. The minimal load resistance the full bridge sees between its outputs in normal operation at the resonance frequency of the antenna is 43.3Ω . When the full bridge is not active, the two driver outputs are switched to ground.

Both outputs of the full bridge are protected independently against short circuits to ground.

In case of an occurring short circuit, the full bridge is switched off in less than 10 μs to avoid a drop of the supply voltage. After a delay time of less than 10 ms the full bridge is switched on again to test if the short circuit is still there. An overcurrent due to a resistive short to ground that is higher than the maximum current in normal operation but lower than the current threshold for overcurrent protection does not need to be considered.

6.5 RF Amplifier

The RF amplifier is an operational amplifier with a fixed internal voltage reference and a voltage gain of 5 defined by external resistors. The RF amplifier has a high gain-bandwidth product of at least 2 MHz to show a phase shift of less than 16° for the desired signal and to give the possibility to use it as a low-pass filter by adapting additional external components.

The input signal of the RF amplifier is DC coupled to the antenna. The amplitude of the output signal of the RF amplifier is higher than 5 mV peak-to-peak.

6.6 Band-Pass Filter and Limiter

The band-pass filter provides amplification and filtering without external components. The lower cut-off frequency is approximately a factor of 2 lower than the average signal frequency of 130 kHz, the higher cut-off frequency is approximately a factor of 2 higher than 130 kHz.

The limiter converts the analog sine-wave signal to a digital signal. The limiter provides a hysteresis depending on the minimal amplitude of its input signal. The duty cycle of its digital output signal is between 40% and 60%. The band-pass filter and the limiter together have a high gain of at least 1000.

6.7 Diagnosis

The diagnosis is carried out during the charge phase to detect whether the full bridge and the antenna are working. When the full bridge drives the antenna, the voltage across the coil exceeds the supply voltage so that the voltage at the input of the RF amplifier is clamped by the ESD-protection diodes. For diagnosis, the SENSE pin is loaded on-chip with a switchable resistor to ground so that the internal switchable resistor and the external SENSE resistor form a voltage divider, while the internal resistor is switched off in read mode. When the voltage drop across the internal resistor exceeds a certain value, the diagnosis block passes the frequency of its input signal to the digital demodulator. The frequency of the diagnosis signal is accepted if eight subsequent times can be detected, all with their counter state within the range of 112 to 125, during the diagnosis time (at most 0.1 ms). The output signal is used only during the charge phase, otherwise it is ignored.

When the short-circuit protection switches off one of the full-bridge drivers, the diagnosis also indicates an improper operation of the antenna by sending the same diagnostic byte to the microcontroller as for the other failure mode.

During diagnosis, the antenna drivers are active. In synchronous mode the antenna drivers remain active up to 1 ms after the diagnosis is performed, without any respect to the logic state of the signal at TXCT (thus enabling the microcontroller to clock out the diagnosis byte).

6.8 Power-on Reset

The power-on reset generates an internal reset signal to allow the control logic to start up in the defined way.

6.9 Frequency Divider

The frequency divider is a programmable divider that generates the carrier frequency for the full-bridge antenna drivers. The default value for the division factor is the value 119 needed to provide the nominal carrier frequency of 134.45 kHz generated from 16 MHz. The resolution for programming the division factor is one divider step that corresponds to a frequency shift of approximately 1.1 kHz. The different division factors needed to cover the range of frequencies for meeting the resonance frequency of the transponder are 114 to 124.

6.10 Digital Demodulator

The input signal of the digital demodulator comes from the limiter and is frequency-coded according to the high- and low-bit sequence of the transmitted transponder code. The frequency of the input signal is measured by counting the oscillation clock for the time period of the input signal. As the high-bit and low-bit frequencies are specified with wide tolerances, the demodulator is designed to distinguish the high-bit and the low-bit frequency by the shift between the two frequencies and not by the absolute values. The threshold between the high-bit and the low-bit frequency is defined to be 6.5 kHz lower than the measured low-bit frequency and has a hysteresis of ± 0.55 kHz.

The demodulator is controlled by the control logic. After the charge phase (that is during read or write phase) it measures the time period of its input signal and waits for the transponder resonance-frequency measurement to determine the counter state for the threshold between high-bit and low-bit frequency. Then the demodulator waits for the occurrence of the start bit. For that purpose, the results of the comparisons between the measured time periods and the threshold are shifted in a 12-bit shift register. The detection of the start bit comes into effect when the contents of the shift register matches a specific pattern, indicating 8 subsequent periods below the threshold immediately followed by 4 subsequent periods above the threshold. A 2-period digital filter is inserted in front of the 12-bit shift register to make a start bit detection possible in case of a nonmonotonous progression of the time periods during a transition from low- to high-bit frequency.

The bit stream detected by the input stage of the digital demodulator passes a digital filter before being evaluated. After demodulation, the serial bit flow received from the transponder is buffered byte-wise before being sent to the microcontroller by SCI encoding.

6.11 Transponder Resonance-Frequency Measurement

During the prebit reception phase, the bits the transponder transmits show the low-bit frequency, which is the resonance frequency of the transponder. The time periods of the prebits are evaluated by the demodulator counter. Based on the counter states, an algorithm is implemented that ensures a correct measurement of the resonance frequency of the transponder:

1. A time period of the low-bit frequency has a counter state between 112 and 125.
2. The measurement of the low-bit frequency (the average of eight subsequent counter states) is accepted during the write mode, when the eight time periods have counter states in the defined range. The measurement during write mode is started with the falling edge at TXCT using the fixed delay time at which end the full bridge is switched on again.
3. The counter state of the measured low-bit frequency results in the average counter state of an accepted measurement and can be used to update the register of the programmable frequency divider.
4. The measurement of the low-bit frequency (the average of eight subsequent counter states) is accepted during the read mode, when the eight time periods have counter states in the defined range. The start of the measurement during read mode is delayed to use a stable input signal for the measurement.
5. The threshold to distinguish between high-bit and low-bit frequency is calculated to be by a value of 5 or 7 (see hysteresis in threshold) higher than the counter state of the measured low-bit frequency.

6.12 SCI Encoder

An SCI encoder performs the data transmission to the microcontroller. As the transmission rate of the transponder is lower than the SCI transmission rate, the serial bit flow received from the transponder is buffered after demodulation and before SCI encoding.

The SCI encoder uses an 8-bit shift register to send the received data byte-wise (least significant bit first) to the microcontroller with a transmission rate of 15.625 kbaud ($\pm 1.5\%$), 1 start bit (high), 1 stop bit (low), and no parity bit (asynchronous mode indicated by the SYNC bit of the Mode Control register is permanently low). The data bits at the SCIO output are inverted with respect to the corresponding bits sent by the transponder.

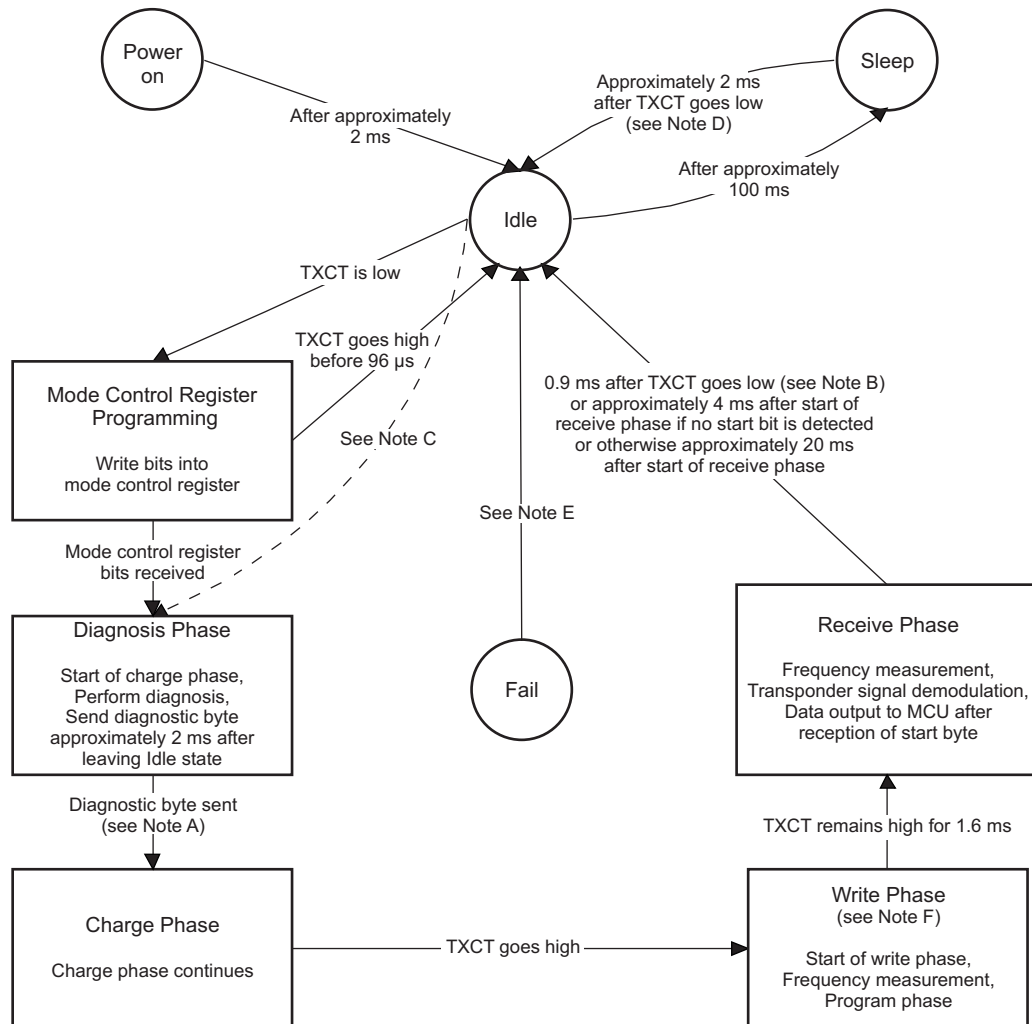
The transmission starts after the reception of the start bit. The start byte detection is initialized with the first rising edge. Typical values for the start byte are 81_H or 01_H (at SCIO). The start byte is the first byte to be sent to the microcontroller. The transmission stops and the base station returns to the Idle state when TXCT becomes low or 20 ms after the beginning of the read phase. TXCT remains low for at least 128 μ s to stop the read phase and less than 900 μ s to avoid starting the next transmission cycle.

The SCI encoder also sends the diagnostic byte 2 ms after beginning of the charge phase. In case of a normal operation of the antenna, the diagnostic byte AF_H is sent. If no antenna oscillation can be measured or if at least one of the full-bridge drivers is switched off due to a detected short circuit, the diagnostic byte FF_H is sent to indicate the failure mode.

The SCI encoder can be switched into a synchronous data transmission mode by setting the mode control register bit SYNC to high. In this mode, the output SCIO indicates by a high state that a new byte is ready to be transmitted. The microcontroller can receive the 8 bits at SCIO when sending the eight clock signals (falling edge means active) for the synchronous data transmission through pin TXCT to the SCI encoder.

6.13 Control Logic

The control logic is the core of the TMS3705 circuit. This circuit contains a sequencer or a state machine that controls the global operations of the base station (see [Figure 6-1](#)). This block has a default mode configuration but can also be controlled by the microcontroller through the TXCT serial input pin to change the configuration and to control the programmable frequency divider. For that purpose a mode control register is implemented in this module that can be written by the microcontroller.



- A. In SCI synchronous mode, this transition always occurs approximately 3 ms after leaving Idle state. Diagnostic byte transmission is complete before the transition.
- B. A falling edge on TXCT interrupts the receive phase after a delay of 0.9 ms. TXCT must remain low for at least 128 μs. If TXCT is still low after the 0.9-ms delay, the base station enters the Idle state and then the Diagnosis phase one clock cycle later (see the dotted line marked with "See Note C"). No mode control register can be written, and only the default mode is fully supported in this case. Otherwise, if TXCT returns high and remains high during the delay, the base station stays in Idle state and waits for TXCT to go low (which properly starts a new mode control register programming operation) or waits for 100 ms to enter the Sleep state.
- C. This transition occurs only in a special case, as described in Note B.
- D. A falling edge on TXCT interrupts the Sleep state. Only the default mode is fully supported when starting an operation from the Sleep state with only one falling edge on TXCT, because of the 2-ms delay. For proper mode control register programming, TXCT must return to high and remain high during this delay.
- E. Idle state is the next state in case of undefined states (fail-safe state machine).
- F. Frequency measurement is available for the TMS3705A1DRG4 only.

Figure 6-1. Operational State Diagram for the Control Logic

The default mode is a read-only mode that uses the default frequency as the carrier frequency for the full bridge. Therefore the mode control register does not need to be written (it is filled with low states), and the communication sequence between microcontroller and base station starts with TXCT being low for a fixed time to initiate the charge phase. When TXCT becomes high again, the module enters the read phase and the data transmission through the SCIO pin to the microcontroller starts.

There is another read-only mode that differs from the default mode only in the writing of the mode control register before the start of the charge phase. The method to fill the mode control register and the meaning of its contents is described in the following paragraphs.

The write-read mode starts with the programming of the mode control register. Then the charge phase starts with TXCT being low for a fixed time. When TXCT becomes high again, the write phase begins in which the data are transmitted from the microcontroller to the transponder through the TXCT pin, the control logic, the predrivers, and the full bridge by amplitude modulation of 100% with a fixed delay time. After the write phase TXCT goes low again to start another charge or program phase. When TXCT becomes high again, the read phase begins.

The contents of the mode control register (see [Table 6-1](#)) define the mode and the way that the carrier frequency generated by the frequency divider is selected to meet the transponder resonance frequency as closely as possible.

Table 6-1. Mode Control Register (7-Bit Register)

BIT		RESET VALUE	DESCRIPTION	
NAME	NO.			
START_BIT	Bit 0	0	START_BIT = 0	The start bit is always low and does not need to be stored.
DATA_BIT1	Bit 1	0	DATA_BIT[4:1] = 0000 DATA_BIT[4:1] = 1111	Microcontroller selects division factor 119 Division factor is adapted automatically ⁽¹⁾
DATA_BIT2	Bit 2	0	DATA_BIT[4:1] = 0001 DATA_BIT[4:1] = 0010	Microcontroller selects division factor 114 Microcontroller selects division factor 115
DATA_BIT3	Bit 3	0	... DATA_BIT[4:1] = 0110	... Microcontroller selects division factor 119
DATA_BIT4	Bit 4	0	... DATA_BIT[4:1] = 1011	... Microcontroller selects division factor 124
SCI_SYNC	Bit 5	0	SCI_SYNC = 0 SCI_SYNC = 1	Asynchronous data transmission to the microcontroller Synchronous data transmission to the microcontroller
RX_AFC	Bit 6	0	RX_AFC = 0 RX_AFC = 1	Demodulator threshold is adapted automatically Demodulator threshold is defined by DATA_BIT[4:1]
TEST_BIT	Bit 7	0	TEST_BIT = 0 TEST_BIT = 1	No further test bytes Further test byte follows for special test modes

(1) Only available in combination with non-AES transponders

The TMS3705xDRG4 can adjust the carrier frequency to the transponder resonance frequency automatically by giving the counter state of the transponder resonance-frequency measurement directly to the frequency divider by setting the first 4 bits in high state. The other combinations of the first 4 bits allow the microcontroller to select the default carrier frequency or to use another frequency. The division factor can be selected to be between 114 and 124.

Some bits are included for testability reasons. The default value of these test bits for normal operation is low. Bit 7 (TEST_BIT) is low for normal operation; otherwise, the base station may enter one of the test modes.

The control logic also controls the demodulator, the SCI encoder, the diagnosis, and the transmission of the diagnosis byte during the charge phase.

The state diagram in [Figure 6-1](#) shows the general behavior of the state machine (the state blocks drawn can contain more than one state). All given times are measured from the moment when the state is entered if not specified otherwise.

6.14 Test Pins

The IC has an analog test pin A_TST for the analog part of the receiver. The digital output pin D_TST is used for testing the internal logic. Connecting both pins is not required.

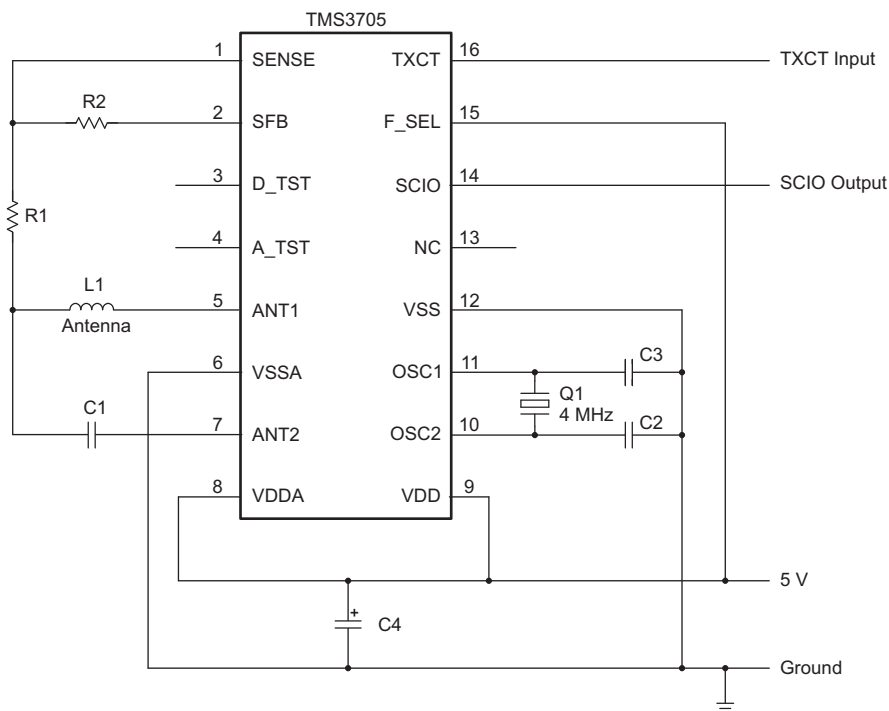
7 Applications, Implementation, and Layout

NOTE

Information in the following Applications section is not part of the TI component specification, and TI does not warrant its accuracy or completeness. TI's customers are responsible for determining suitability of components for their purposes. Customers should validate and test their design implementation to confirm system functionality.

7.1 Application Diagram

Figure 7-1 shows a typical application diagram.



Copyright © 2016, Texas Instruments Incorporated

Figure 7-1. Application Diagram

Table 7-1 lists the bill of materials for the application in Figure 7-1.

Table 7-1. Bill of Materials (BOM)

COMPONENT	VALUE	COMMENTS
R1	47 kΩ	
R2	150 kΩ	
L1	422 μH at 134 kHz	Sumida part number: Vogt 581 05 042 40
C1	3 nF	NPO , COG (high Q types). Voltage rating must be 100 V or higher depending on Q factor.
C2	220 pF	NPO
C3	220 pF	NPO
C4	22 μF	Low ESR
Q1	4-MHz resonator	muRata part number: CSTCR4M00G55B-R0. See resonator data sheet (load capacitance is important).

8 Device and Documentation Support

8.1 Getting Started and Next Steps

RFID products from TI provide the ultimate solution for a wide range of applications. With its patented HDX technology, TI RFID offers unmatched performance in read range, read rate and robustness. For more information, see [Overview for NFC / RFID](#).

8.2 Device Nomenclature

To designate the stages in the product development cycle, TI assigns prefixes to the part numbers of devices. Each device has one of three prefixes: X, P, or null (no prefix) (for example, *TMS3705*).

Device development evolutionary flow:

- X** Experimental device that is not necessarily representative of the final device's electrical specifications and may not use production assembly flow.
- P** Prototype device that is not necessarily the final silicon die and may not necessarily meet final electrical specifications.
- null** Production version of the silicon die that is fully qualified.

X and P devices are shipped against the following disclaimer:

"Developmental product is intended for internal evaluation purposes."

Production devices have been characterized fully, and the quality and reliability of the device have been demonstrated fully. TI's standard warranty applies.

Predictions show that prototype devices (X or P) have a greater failure rate than the standard production devices. TI recommends that these devices not be used in any production system because their expected end-use failure rate still is undefined. Only qualified production devices are to be used.

TI device nomenclature also includes a suffix with the device family name. This suffix indicates the package type (for example, *D*). [Figure 8-1](#) provides a legend for reading the complete device name.

For orderable part numbers of *TMS3705* devices in the *D* package types, see the *Package Option Addendum* in [Section 9](#), the [TI website](#), or contact your TI sales representative.

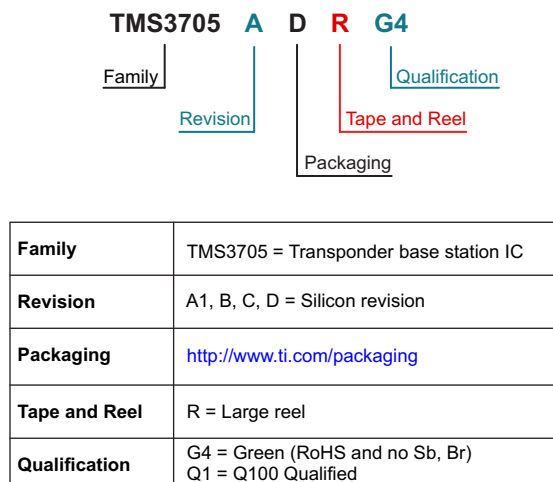


Figure 8-1. Device Nomenclature

8.3 Tools and Software

Design Kits and Evaluation Modules

Low-Frequency Demo Reader The ADR2 Evaluation Kit contains a low-frequency reader required to evaluate and operate the TI Car Access products. The kit comes with a reader base board, LF antenna, and a USB-RS232 adapter. Together with the PC software available online, all functions of the reader can be controlled and all automotive transponders, remote keyless entry, and passive entry devices can be addressed. Operation of transponder functions and also passive entry communication is supported by the same system without component changes.

PaLFI, Passive Low-Frequency Evaluation Kit TMS37157 The PaLFI Evaluation kit contains all components required to evaluate and operate the TMS37157. The kit comes with an eZ430 MSP430F1612 USB development stick, and an MSP430 target board including an MSP430F2274 plus the TMS37157 PaLFI. A battery board for active operation in addition to an RFID base station reader/writer provide the infrastructure for various evaluation setups.

8.4 Documentation Support

The following documentation describes the transponder, related peripherals, and other technical collateral.

Receiving Notification of Document Updates

To receive notification of documentation updates—including silicon errata—go to the [TMS3705 product folder](#). In the upper right corner, click the "Alert me" button. This registers you to receive a weekly digest of product information that has changed (if any). For change details, check the revision history of any revised document.

Application Reports

Resonant Trimming Sequence This application report presents an efficient and precise method on how to achieve the desired resonant frequency of configuring the trim array with only a few iterations and measuring the resonant frequency.

TMS3705 Range Extender Power Solution Using UCC27424-Q1 This application report provides supplementary information about the TI 134.2-kHz RFID Base Station IC TMS3705x in combination with an external driver IC. In particular, the document shows a low cost and easy-to-implement solution to improve the communication distance between the transaction processor (TRP) and the Reader unit.

TMS3705 Passive Antenna Solution The TI low-frequency transponder technology provides the possibility to use a simple passive antenna in combination with various antenna cable lengths. This solution significantly reduces system costs because the active part of the transceiver can be added to the already existing host system; for example, the body control module (BCM) of a vehicle.

Integrated TIRIS RF Module TMS3705A Introduction to Low Frequency Reader A TIRIS setup consists of one or more Transponders and a Reader. The Reader described in this application note normally contains the Reader Antenna, the RF Module and the Control Module.

More Literature

Wireless Connectivity Tri-fold Overview At TI, we are committed to delivering a broad portfolio of wireless connectivity solutions which consume the lowest power and are the easiest to use. With TI innovation supporting your designs, you can share, monitor and manage data wirelessly for applications in wearables, home and building automation, manufacturing, smart cities, healthcare and automotive.

MSP430™ Ultra-Low-Power MCUs and TI-RFid Devices The TI portfolio of MSP430 microcontrollers and TI-RFid devices is an ideal fit for low-power, robust RFID reader and transponder solutions. Together, MSP430 and TI-RFid devices help RF designers achieve low power consumption, best-in-class read range and reliable performance at a competitive price.

8.5 Community Resources

The following links connect to TI community resources. Linked contents are provided "AS IS" by the respective contributors. They do not constitute TI specifications and do not necessarily reflect TI's views; see TI's [Terms of Use](#).

TI E2E™ Online Community The TI engineer-to-engineer (E2E) community was created to foster collaboration among engineers. At e2e.ti.com, you can ask questions, share knowledge, explore ideas and help solve problems with fellow engineers.

TI Embedded Processors Wiki Established to help developers get started with Embedded Processors from Texas Instruments and to foster innovation and growth of general knowledge about the hardware and software surrounding these devices.

8.6 Trademarks

TI-RFid, MSP430, E2E are trademarks of Texas Instruments.
All other trademarks are the property of their respective owners.

8.7 Electrostatic Discharge Caution



This integrated circuit can be damaged by ESD. Texas Instruments recommends that all integrated circuits be handled with appropriate precautions. Failure to observe proper handling and installation procedures can cause damage.

ESD damage can range from subtle performance degradation to complete device failure. Precision integrated circuits may be more susceptible to damage because very small parametric changes could cause the device not to meet its published specifications.

8.8 Export Control Notice

Recipient agrees to not knowingly export or re-export, directly or indirectly, any product or technical data (as defined by the U.S., EU, and other Export Administration Regulations) including software, or any controlled product restricted by other applicable national regulations, received from disclosing party under nondisclosure obligations (if any), or any direct product of such technology, to any destination to which such export or re-export is restricted or prohibited by U.S. or other applicable laws, without obtaining prior authorization from U.S. Department of Commerce and other competent Government authorities to the extent required by those laws.

8.9 Glossary

TI Glossary This glossary lists and explains terms, acronyms, and definitions.

9 Mechanical, Packaging, and Orderable Information

The following pages include mechanical, packaging, and orderable information. This information is the most current data available for the designated devices. This data is subject to change without notice and revision of this document. For browser-based versions of this data sheet, refer to the left-hand navigation.

PACKAGING INFORMATION

Orderable Device	Status (1)	Package Type	Package Drawing	Pins	Package Qty	Eco Plan (2)	Lead/Ball Finish (6)	MSL Peak Temp (3)	Op Temp (°C)	Device Marking (4/5)	Samples
TMS3705A1DRG4	NRND	SOIC	D	16	2500	Green (RoHS & no Sb/Br)	CU NIPDAU	Level-3-260C-168 HR	-40 to 85	TMS3705A	
TMS3705BDRG4	ACTIVE	SOIC	D	16	2500	Green (RoHS & no Sb/Br)	CU NIPDAU	Level-3-260C-168 HR	-40 to 85	TMS3705B	Samples
TMS3705CDRQ1	NRND	SOIC	D	16	2500	Green (RoHS & no Sb/Br)	CU NIPDAU	Level-3-260C-168 HR	-40 to 85	TMS3705CQ1	
TMS3705DDRQ1	ACTIVE	SOIC	D	16	2500	Green (RoHS & no Sb/Br)	CU NIPDAU	Level-3-260C-168 HR	-40 to 85	TMS3705DQ1	Samples

(1) The marketing status values are defined as follows:

ACTIVE: Product device recommended for new designs.

LIFEBUY: TI has announced that the device will be discontinued, and a lifetime-buy period is in effect.

NRND: Not recommended for new designs. Device is in production to support existing customers, but TI does not recommend using this part in a new design.

PREVIEW: Device has been announced but is not in production. Samples may or may not be available.

OBSELETE: TI has discontinued the production of the device.

(2) **RoHS:** TI defines "RoHS" to mean semiconductor products that are compliant with the current EU RoHS requirements for all 10 RoHS substances, including the requirement that RoHS substance do not exceed 0.1% by weight in homogeneous materials. Where designed to be soldered at high temperatures, "RoHS" products are suitable for use in specified lead-free processes. TI may reference these types of products as "Pb-Free".

RoHS Exempt: TI defines "RoHS Exempt" to mean products that contain lead but are compliant with EU RoHS pursuant to a specific EU RoHS exemption.

Green: TI defines "Green" to mean the content of Chlorine (Cl) and Bromine (Br) based flame retardants meet JS709B low halogen requirements of <=1000ppm threshold. Antimony trioxide based flame retardants must also meet the <=1000ppm threshold requirement.

(3) MSL, Peak Temp. - The Moisture Sensitivity Level rating according to the JEDEC industry standard classifications, and peak solder temperature.

(4) There may be additional marking, which relates to the logo, the lot trace code information, or the environmental category on the device.

(5) Multiple Device Markings will be inside parentheses. Only one Device Marking contained in parentheses and separated by a "-" will appear on a device. If a line is indented then it is a continuation of the previous line and the two combined represent the entire Device Marking for that device.

(6) Lead/Ball Finish - Orderable Devices may have multiple material finish options. Finish options are separated by a vertical ruled line. Lead/Ball Finish values may wrap to two lines if the finish value exceeds the maximum column width.

Important Information and Disclaimer:The information provided on this page represents TI's knowledge and belief as of the date that it is provided. TI bases its knowledge and belief on information provided by third parties, and makes no representation or warranty as to the accuracy of such information. Efforts are underway to better integrate information from third parties. TI has taken and

continues to take reasonable steps to provide representative and accurate information but may not have conducted destructive testing or chemical analysis on incoming materials and chemicals. TI and TI suppliers consider certain information to be proprietary, and thus CAS numbers and other limited information may not be available for release.

In no event shall TI's liability arising out of such information exceed the total purchase price of the TI part(s) at issue in this document sold by TI to Customer on an annual basis.

TAPE AND REEL INFORMATION



QUADRANT ASSIGNMENTS FOR PIN 1 ORIENTATION IN TAPE



*All dimensions are nominal

Device	Package Type	Package Drawing	Pins	SPQ	Reel Diameter (mm)	Reel Width W1 (mm)	A0 (mm)	B0 (mm)	K0 (mm)	P1 (mm)	W (mm)	Pin1 Quadrant
TMS3705A1DRG4	SOIC	D	16	2500	330.0	16.4	6.5	10.3	2.1	8.0	16.0	Q1

TAPE AND REEL BOX DIMENSIONS



*All dimensions are nominal



Device	Package Type	Package Drawing	Pins	SPQ	Length (mm)	Width (mm)	Height (mm)
TMS3705A1DRG4	SOIC	D	16	2500	367.0	367.0	38.0

D (R-PDSO-G16)

PLASTIC SMALL OUTLINE



4040047-6/M 06/11

- NOTES:
- A. All linear dimensions are in inches (millimeters).
 - B. This drawing is subject to change without notice.
 -  C. Body length does not include mold flash, protrusions, or gate burrs. Mold flash, protrusions, or gate burrs shall not exceed 0.006 (0,15) each side.
 -  D. Body width does not include interlead flash. Interlead flash shall not exceed 0.017 (0,43) each side.
 - E. Reference JEDEC MS-012 variation AC.

D (R-PDSO-G16)

PLASTIC SMALL OUTLINE



- NOTES:
- A. All linear dimensions are in millimeters.
 - B. This drawing is subject to change without notice.
 - C. Publication IPC-7351 is recommended for alternate designs.
 - D. Laser cutting apertures with trapezoidal walls and also rounding corners will offer better paste release. Customers should contact their board assembly site for stencil design recommendations. Refer to IPC-7525 for other stencil recommendations.
 - E. Customers should contact their board fabrication site for solder mask tolerances between and around signal pads.

IMPORTANT NOTICE

Texas Instruments Incorporated (TI) reserves the right to make corrections, enhancements, improvements and other changes to its semiconductor products and services per JESD46, latest issue, and to discontinue any product or service per JESD48, latest issue. Buyers should obtain the latest relevant information before placing orders and should verify that such information is current and complete.

TI's published terms of sale for semiconductor products (<http://www.ti.com/sc/docs/stdterms.htm>) apply to the sale of packaged integrated circuit products that TI has qualified and released to market. Additional terms may apply to the use or sale of other types of TI products and services.

Reproduction of significant portions of TI information in TI data sheets is permissible only if reproduction is without alteration and is accompanied by all associated warranties, conditions, limitations, and notices. TI is not responsible or liable for such reproduced documentation. Information of third parties may be subject to additional restrictions. Resale of TI products or services with statements different from or beyond the parameters stated by TI for that product or service voids all express and any implied warranties for the associated TI product or service and is an unfair and deceptive business practice. TI is not responsible or liable for any such statements.

Buyers and others who are developing systems that incorporate TI products (collectively, "Designers") understand and agree that Designers remain responsible for using their independent analysis, evaluation and judgment in designing their applications and that Designers have full and exclusive responsibility to assure the safety of Designers' applications and compliance of their applications (and of all TI products used in or for Designers' applications) with all applicable regulations, laws and other applicable requirements. Designer represents that, with respect to their applications, Designer has all the necessary expertise to create and implement safeguards that (1) anticipate dangerous consequences of failures, (2) monitor failures and their consequences, and (3) lessen the likelihood of failures that might cause harm and take appropriate actions. Designer agrees that prior to using or distributing any applications that include TI products, Designer will thoroughly test such applications and the functionality of such TI products as used in such applications.

TI's provision of technical, application or other design advice, quality characterization, reliability data or other services or information, including, but not limited to, reference designs and materials relating to evaluation modules, (collectively, "TI Resources") are intended to assist designers who are developing applications that incorporate TI products; by downloading, accessing or using TI Resources in any way, Designer (individually or, if Designer is acting on behalf of a company, Designer's company) agrees to use any particular TI Resource solely for this purpose and subject to the terms of this Notice.

TI's provision of TI Resources does not expand or otherwise alter TI's applicable published warranties or warranty disclaimers for TI products, and no additional obligations or liabilities arise from TI providing such TI Resources. TI reserves the right to make corrections, enhancements, improvements and other changes to its TI Resources. TI has not conducted any testing other than that specifically described in the published documentation for a particular TI Resource.

Designer is authorized to use, copy and modify any individual TI Resource only in connection with the development of applications that include the TI product(s) identified in such TI Resource. NO OTHER LICENSE, EXPRESS OR IMPLIED, BY ESTOPPEL OR OTHERWISE TO ANY OTHER TI INTELLECTUAL PROPERTY RIGHT, AND NO LICENSE TO ANY TECHNOLOGY OR INTELLECTUAL PROPERTY RIGHT OF TI OR ANY THIRD PARTY IS GRANTED HEREIN, including but not limited to any patent right, copyright, mask work right, or other intellectual property right relating to any combination, machine, or process in which TI products or services are used. Information regarding or referencing third-party products or services does not constitute a license to use such products or services, or a warranty or endorsement thereof. Use of TI Resources may require a license from a third party under the patents or other intellectual property of the third party, or a license from TI under the patents or other intellectual property of TI.

TI RESOURCES ARE PROVIDED "AS IS" AND WITH ALL FAULTS. TI DISCLAIMS ALL OTHER WARRANTIES OR REPRESENTATIONS, EXPRESS OR IMPLIED, REGARDING RESOURCES OR USE THEREOF, INCLUDING BUT NOT LIMITED TO ACCURACY OR COMPLETENESS, TITLE, ANY EPIDEMIC FAILURE WARRANTY AND ANY IMPLIED WARRANTIES OF MERCHANTABILITY, FITNESS FOR A PARTICULAR PURPOSE, AND NON-INFRINGEMENT OF ANY THIRD PARTY INTELLECTUAL PROPERTY RIGHTS. TI SHALL NOT BE LIABLE FOR AND SHALL NOT DEFEND OR INDEMNIFY DESIGNER AGAINST ANY CLAIM, INCLUDING BUT NOT LIMITED TO ANY INFRINGEMENT CLAIM THAT RELATES TO OR IS BASED ON ANY COMBINATION OF PRODUCTS EVEN IF DESCRIBED IN TI RESOURCES OR OTHERWISE. IN NO EVENT SHALL TI BE LIABLE FOR ANY ACTUAL, DIRECT, SPECIAL, COLLATERAL, INDIRECT, PUNITIVE, INCIDENTAL, CONSEQUENTIAL OR EXEMPLARY DAMAGES IN CONNECTION WITH OR ARISING OUT OF TI RESOURCES OR USE THEREOF, AND REGARDLESS OF WHETHER TI HAS BEEN ADVISED OF THE POSSIBILITY OF SUCH DAMAGES.

Unless TI has explicitly designated an individual product as meeting the requirements of a particular industry standard (e.g., ISO/TS 16949 and ISO 26262), TI is not responsible for any failure to meet such industry standard requirements.

Where TI specifically promotes products as facilitating functional safety or as compliant with industry functional safety standards, such products are intended to help enable customers to design and create their own applications that meet applicable functional safety standards and requirements. Using products in an application does not by itself establish any safety features in the application. Designers must ensure compliance with safety-related requirements and standards applicable to their applications. Designer may not use any TI products in life-critical medical equipment unless authorized officers of the parties have executed a special contract specifically governing such use. Life-critical medical equipment is medical equipment where failure of such equipment would cause serious bodily injury or death (e.g., life support, pacemakers, defibrillators, heart pumps, neurostimulators, and implantables). Such equipment includes, without limitation, all medical devices identified by the U.S. Food and Drug Administration as Class III devices and equivalent classifications outside the U.S.

TI may expressly designate certain products as completing a particular qualification (e.g., Q100, Military Grade, or Enhanced Product). Designers agree that it has the necessary expertise to select the product with the appropriate qualification designation for their applications and that proper product selection is at Designers' own risk. Designers are solely responsible for compliance with all legal and regulatory requirements in connection with such selection.

Designer will fully indemnify TI and its representatives against any damages, costs, losses, and/or liabilities arising out of Designer's non-compliance with the terms and provisions of this Notice.