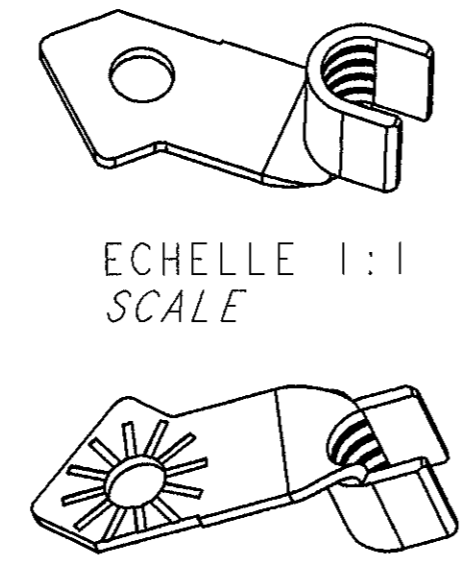
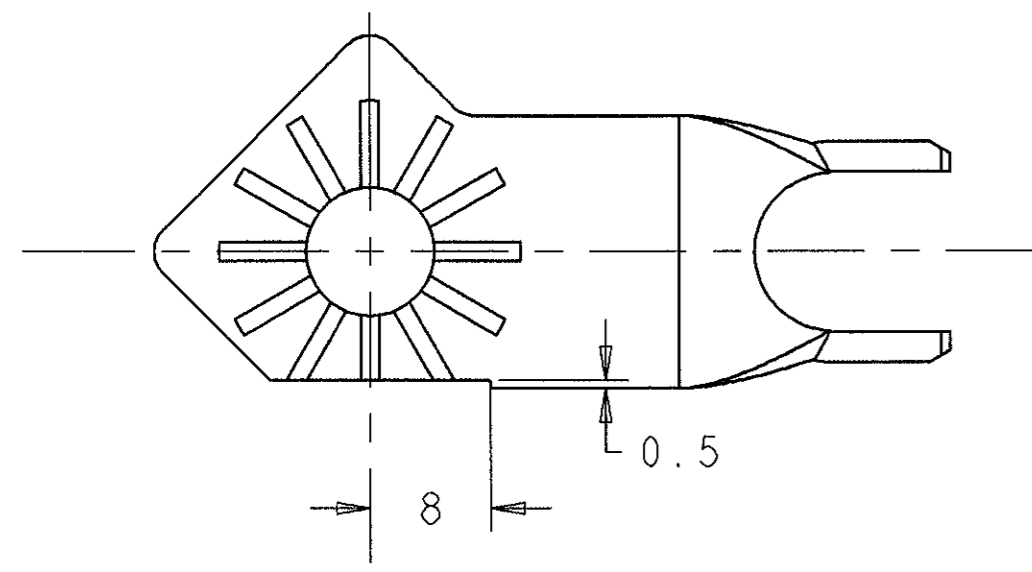
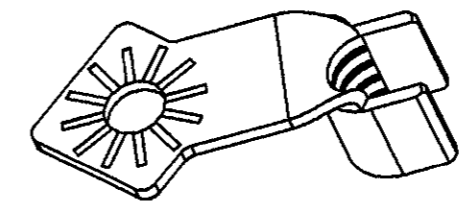
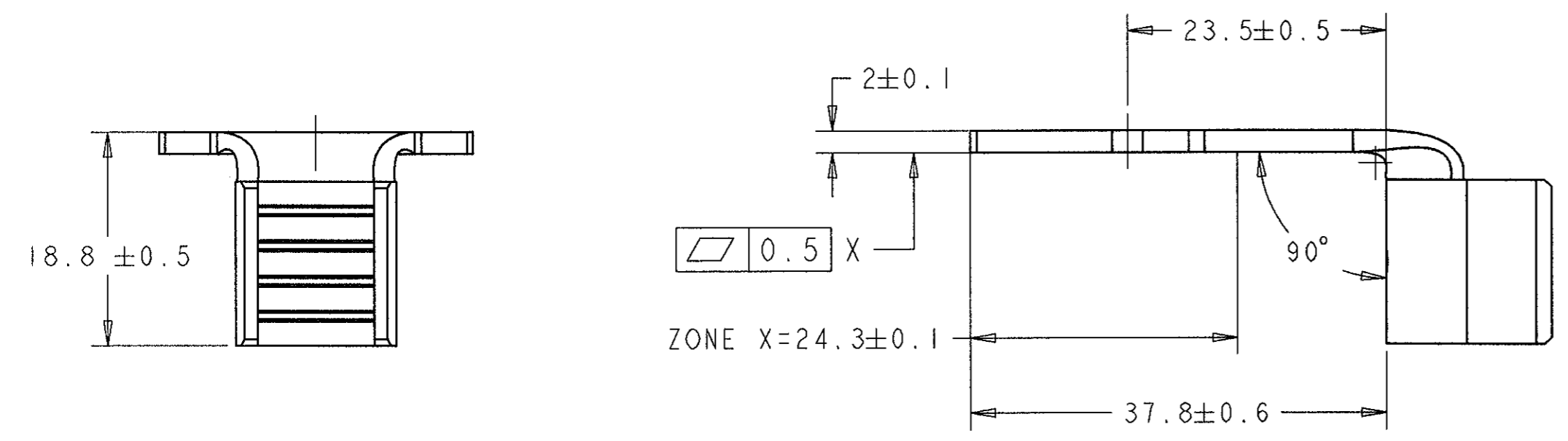


LOC		DIST		REVISIONS			
P	LTR	DESCRIPTION MODIFICATIONS	DATE	DWN DESS.	APVD APP.		
F	00	C	New version, add application spec. No, dimensions updated	09 JUL 04	PFs	JDr	

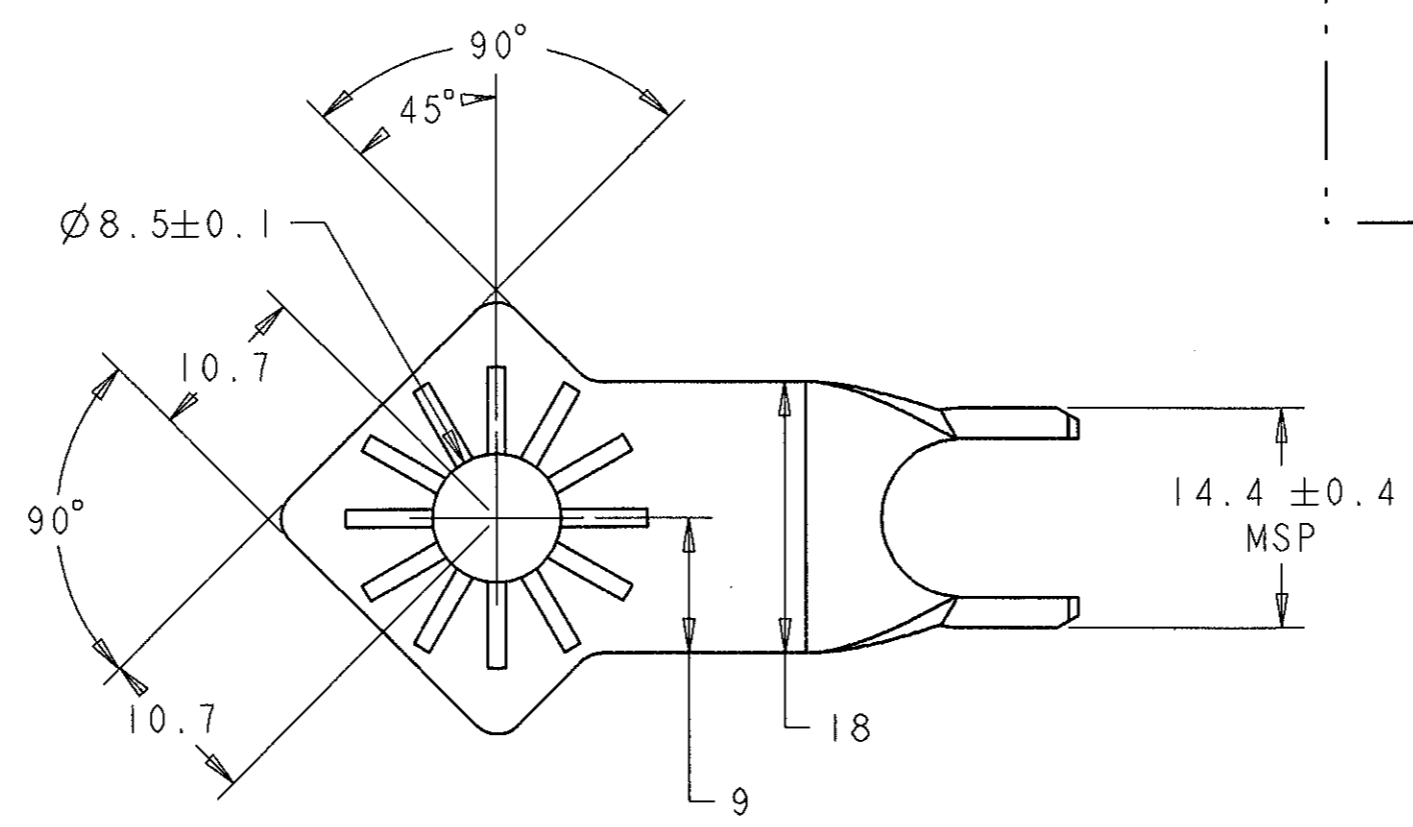
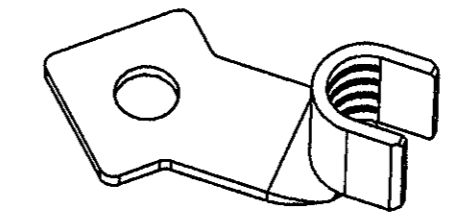


ECHELLE 1:1  
SCALE

REFERENCE PART NUMBER	REFERENCE CLIENT CUSTOMER PART NUMBER	MATIERE MATERIAL	TRAITEMENT TREATMENT	PROTECTION PROTECTION
1544204-3		CuZn33	Recuit Tempering	Brut Raw
1544204-4		CuZn33	Recuit Tempering	Post étamée / Post tinned Cu: 112-300-2 : 1umini Sn: 112-16-2 : 4 & 8µ



ECHELLE 1:1  
SCALE



CONDITIONNEMENT PACKAGING			
N° DU CARTON GALIA BOX NUMBER	VRAC LOOSE	NBS DE PIECES CARTON NUMBER OF PARTS INSIDE BOX	POIDS DU CARTON BOX WEIGHT
15	OUI YES	600	12.5 Kg

NOTA :  
 - MSP = Cote suivie en MSP  
 - (...) = Pour information

NOTE :  
 - MSP = Manufacturing Control Dimension  
 - (...) = For information

REFERENCE PART NUMBER	REFERENCE CLIENT CUSTOMER PART NUMBER	MATIERE MATERIAL	TRAITEMENT TREATMENT	PROTECTION PROTECTION
1544204-2		CuZn33	Recuit Tempering	Brut Raw
1544204-1		CuZn33	Recuit Tempering	Post étamée / Post tinned Cu: 112-300-2 : 1umini Sn: 112-16-2 : 4 & 8µ

<small>THIS DRAWING IS A CONTROLLED DOCUMENT FOR TYCO ELECTRONICS CORPORATION                  IT IS SUBJECT TO CHANGE AND THE CONTROLLING ENGINEERING ORGANIZATION                  SHOULD BE CONTACTED FOR THE LATEST REVISION.                  CE PLAN EST UN DOCUMENT CONTRÔLÉ PAR AMP INCORPORATED.                  IL EST SUSCEPTIBLE D'ÊTRE RÉVISÉ. CONTACTER LE SERVICE                  TECHNIQUE D'AMP DE FRANCE POUR OBTENIR LA DERNIÈRE RÉVISION.</small>		DWN/DESSINE P. FLORES 09 Jul 04	Tyco Electronics France SAS RN 90, 38530 Chapareillan
DIMENSIONS: mm		CHK/VERIFIE T. GUIMIER 09 Jul 04	NAME TITRE COSSE COUDEE 90° EPAISSEUR 2mm 90° RING TERMINAL, THICKNESS 2mm
TOLERANCES UNLESS OTHERWISE SPECIFIED: (SUIV. NB DE DECIMALES) 1. PLC/DEC: ± 2. PLC/DEC: ±0.2 3. PLC/DEC: ± 4. PLC/DEC: ± ANGLES: ±5°		APVD/APROUVE J. DAHER 09 Jul 04	
MATERIAL MATIERE SEE TABLES		APPLICATION SPEC SPEC. APPLICATION 1544594	SIZE FORMAT A2
FINISH FINITION SEE TABLES		WEIGHT MASSE APPROX. to 18.5gr	CAGE CODE 00779
CUSTOMER DRAWING /PLAN CLIENT		UNIQUEMENT POUR REFERENCE	DRAWING NO No PLAN 1544204
SCALE ECHELLE 2:1		SHEET FEUILLE 1 OF DE 1	RESTRICTED TO RESERVE A REV C