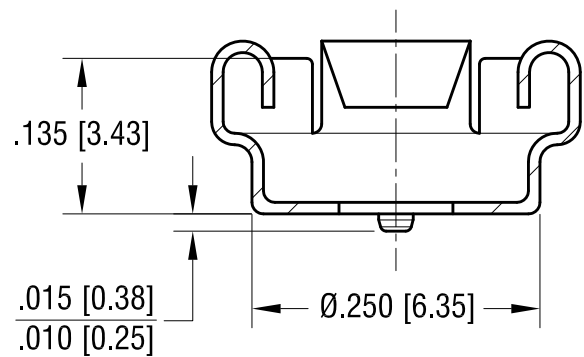
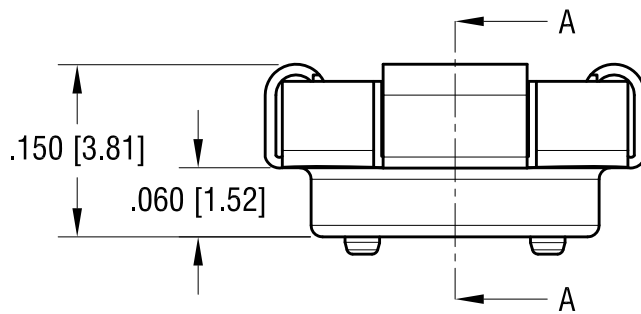
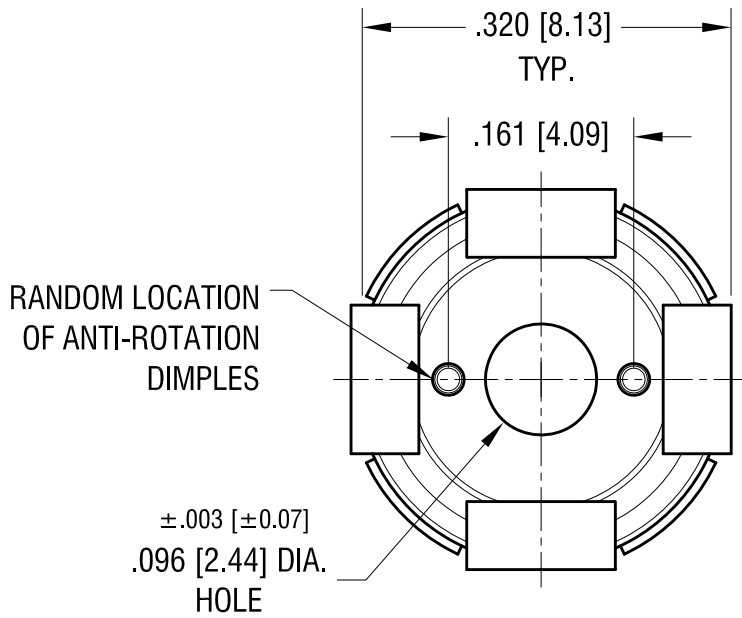


THIS DOCUMENT IS THE PROPERTY OF KEYSTONE ELECTRONICS CORP. AND SHALL NOT BE REPRODUCED, DISTRIBUTED OR USED AS A BASIS FOR MANUFACTURE WITHOUT PRIOR WRITTEN PERMISSION FROM KEYSTONE ELECTRONICS CORP.

ACTUAL SIZE



SECTION A-A

**NOTE:**

1. HEAT TREAT TO SPRING TEMPER
2. FINISH: ELECTROLESS NICKEL PLATE

DATE	DESCRIPTION	REV.
7.21.03	CHANGE AS PER ECN 03-048	E
11.11.02	CHANGE AS PER ECN 02-074	D
3.8.02	CHANGE AS PER ECN 02-022	C
9.25.01	CHANGE AS PER ECN 01-080	B
12.21.98	CHANGE AS PER ECR 98-094	A

<b>KEYSTONE ELECTRONICS CORP.</b>			
www.keyelco.com • NEW HYDE PARK, NY 11040 • Tel (516) 328-7500			
PART NAME			
9 VOLT NEGATIVE BATTERY SNAP-ON			
MATERIAL			
.008 [0.20] TH'K STEEL			
FINISH		DRN BY	DATE
AS NOTED		BOONE	2.9.82
		APP'D	SCALE
		RH	6X
TOLERANCES	INCH [MM]	CODE	DWG NO.
DECIMAL	± .005 [± 0.13]	C	<b>269</b>
ANGULAR	± 1°		
UNLESS OTHERWISE SPECIFIED			