

Please note that Cypress is an Infineon Technologies Company.

The document following this cover page is marked as “Cypress” document as this is the company that originally developed the product. Please note that Infineon will continue to offer the product to new and existing customers as part of the Infineon product portfolio.

Continuity of document content

The fact that Infineon offers the following product as part of the Infineon product portfolio does not lead to any changes to this document. Future revisions will occur when appropriate, and any changes will be set out on the document history page.

Continuity of ordering part numbers

Infineon continues to support existing part numbers. Please continue to use the ordering part numbers listed in the datasheet for ordering.

EZ-BT™ MODULE ARDUINO EVALUATION BOARD CYBT-413055-EVAL



The EZ-BT Module Arduino Evaluation Board (CYBT-413055-EVAL) enables you to evaluate and develop applications on the EZ-BT Module, CYBT-413055-02. CYBT-413055-EVAL can be used as a standalone evaluation kit or can be combined with Arduino compatible shields.

The CYBT-413055-02 Module is a fully integrated, fully certified, 12.0 mm x 16.3 mm x 1.70 mm, programmable, Bluetooth® Smart Ready module designed to reduce your time-to-market.

For more information, visit:

www.cypress.com/bluetooth_modules - EZ-BLE/EZ-BT Module home page

www.cypress.com/EZ-Serial - EZ-Serial Bluetooth Firmware Platform page

www.cypress.com/modus - ModusToolbox® Software Environment

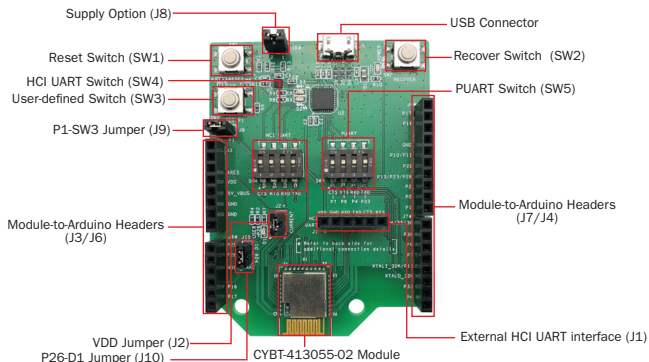


Figure 1: CYBT-413055-EVAL Top View

To use the CYBT-413055-EVAL:

- 1) Configure the evaluation board headers/switches to the desired settings
- 2) Connect the evaluation board to a PC via a USB cable
- 3) Open the ModusToolbox, develop your application, program and test

The Arduino compatible headers (J3/J4/J6/J7) are optional connections, which provide additional I/O connections to the module and allow for other Arduino shields to be used during development.

