

Specifications:

规格:

Voltage rating:100V AC/DC

额定电压: 100V AC/DC

Current rating:3A AC/DC

额定电流: 3A AC/DC

Withstanding voltage:1000V AC/minute

耐受电压: 1000V AC/分钟

Temperature range:-40°C~+85°C

温度范围: -40°C~+85°C

Insulation resistance: 1000MΩ min

绝缘电阻: 1000MΩ Min

Contact resistance:20mΩ Max

接触电阻: 20mΩ Max

K 205001 H M - XX - PT
 ① ② ③ ④ ⑤ ⑥

1.K-XKBTEK-Car Connector

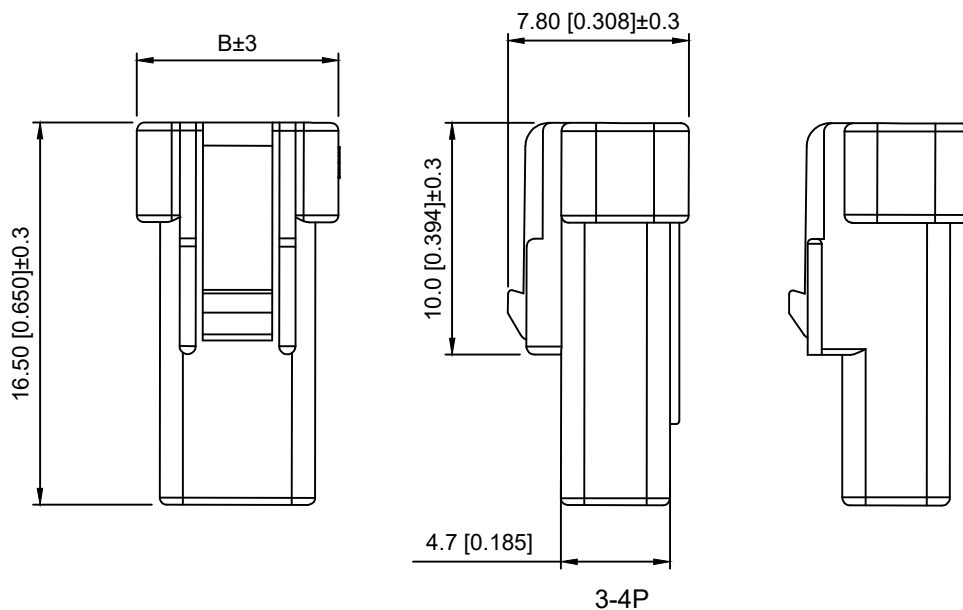
2.XKB Series No

3.Category:H-Housing

4.Category:M-Male Housing

5.Row No.Pin No:XX-02~04 Pin

6.Material:PT-PBT



Poles	Dimensions(mm)	
	A	B
02	2.00	6.70
03	4.00	8.70
04	6.00	10.70

PART NO	Material	Suitable XKB Wafer	Suitable XKB Housing	Suitable XKB Terminal
K205001HM-XX-PT	PBT	K205001W	K205001HF	K205001TF

MARK	DESCRIPTION	DATE	REVISED	APPROVED	UNSPECIFIED TOLERANCES
ΔX					ANGLAR ±5°
ΔX					L ≤ 4 ±0.2
ΔX					4 < L ≤ 16 ±0.3
					16 < L ≤ 63 ±0.4
					L > 63 ±0.5



XKB INDUSTRIAL PRECISION CO., LIMITED

DSND	SCALE: N/A	MODEL TYPE: 2.0mm automotive connector
DWN	VIEW:	PART NO.: K205001HM-XX-PT
CHKD	UNIT: mm/in	DWG NO.: X-K205001HM-XX-PT
APPD	SIZE: A4	WEIGHT SHEET REVISION