

1-1718806-1 ✓ ACTIVE

MCON | MCON 1.2mm

TE Internal #: 1-1718806-1

Housing for Female Terminals, Wire-to-Wire, 5 Position, 4 mm [.157 in] Centerline, Sealable, Black, Wire & Cable, Power & Signal, MCON 1.2mm

[View on TE.com >](#)



Connectors > Automotive Connectors > Automotive Housings



Connector System: **Wire-to-Wire**

Number of Positions: **5**

Connector & Housing Type: **Housing for Female Terminals**

Centerline (Pitch): **4 mm [.157 in]**

Sealable: **Yes**

Features

Product Type Features

Mixed & Hybrid Connector	No
Connector Shape	Rectangular
Connector System	Wire-to-Wire
Connector & Housing Type	Housing for Female Terminals
Sealable	Yes
Connector & Contact Terminates To	Wire & Cable
Primary Locking Feature	On the Terminal

Configuration Features

Number of Positions	5
Number of Rows	1

Electrical Characteristics

Nominal Voltage Architecture	12 V, 24 V
------------------------------	------------

Body Features

Cable Exit Angle	180°
Primary Product Color	Black
Connector & Keying Code	A

Contact Features

Contact Size	1.2mm
--------------	-------



Contact Type	Receptacle
--------------	------------

Mating Tab Width	1.2 mm[.047 in]
------------------	-----------------

Contact Current Rating (Max)	15 A
------------------------------	------

Mechanical Attachment

Terminal Position Assurance	Yes
-----------------------------	-----

Mating Alignment Type	Keyed
-----------------------	-------

Mating Alignment	With
------------------	------

Connector Mounting Type	Cable Mount (Free-Hanging)
-------------------------	----------------------------

Housing Features

Housing Material	PA
------------------	----

Centerline (Pitch)	4 mm[.157 in]
--------------------	---------------

Dimensions

Connector Height	16.5 mm[.65 in]
------------------	-----------------

Product Width	26.5 mm[1.043 in]
---------------	-------------------

Product Length	28.7 mm[1.13 in]
----------------	------------------

Usage Conditions

Operating Temperature (Max)	130 °C[266 °F]
-----------------------------	----------------

Operating Temperature Range	-40 – 130 °C[-40 – 266 °F]
-----------------------------	----------------------------

Operation/Application

Circuit Application	Power & Signal
---------------------	----------------

Industry Standards

Degree of Protection	IP6K9K
----------------------	--------

Other

Serviceable	Yes
-------------	-----

Connector Position Assurance Capable	Yes
--------------------------------------	-----

Product Compliance

[For compliance documentation, visit the product page on TE.com>](#)

EU RoHS Directive 2011/65/EU	Compliant
------------------------------	-----------

EU ELV Directive 2000/53/EC	Compliant
-----------------------------	-----------

China RoHS 2 Directive MIIT Order No 32, 2016	No Restricted Materials Above Threshold
---	---

EU REACH Regulation (EC) No. 1907/2006	
--	--



Current ECHA Candidate List: JUNE 2024 (241)

Candidate List Declared Against: JUNE 2024 (241)

Does not contain REACH SVHC

Halogen Content

Low Halogen - Br, Cl, F, I < 900 ppm per homogenous material. Also BFR/CFR/PVC Free

Solder Process Capability

Not applicable for solder process capability

Product Compliance Disclaimer

This information is provided based on reasonable inquiry of our suppliers and represents our current actual knowledge based on the information they provided. This information is subject to change. The part numbers that TE has identified as EU RoHS compliant have a maximum concentration of 0.1% by weight in homogenous materials for lead, hexavalent chromium, mercury, PBB, PBDE, DBP, BBP, DEHP, DIBP, and 0.01% for cadmium, or qualify for an exemption to these limits as defined in the Annexes of Directive 2011/65/EU (RoHS2). Finished electrical and electronic equipment products will be CE marked as required by Directive 2011/65/EU. Components may not be CE marked. Additionally, the part numbers that TE has identified as EU ELV compliant have a maximum concentration of 0.1% by weight in homogenous materials for lead, hexavalent chromium, and mercury, and 0.01% for cadmium, or qualify for an exemption to these limits as defined in the Annexes of Directive 2000/53/EC (ELV). Regarding the REACH Regulation, the information TE provides on SVHC in articles for this part number is based on the latest European Chemicals Agency (ECHA) 'Guidance on requirements for substances in articles' posted at this URL: <https://echa.europa.eu/guidance-documents/guidance-on-reach>

Compatible Parts



TE Part # 1-2141520-1
5POS, MCON 1.2 LL TAB SEALED COD A



TE Part # CAT-N13-MSLRTT12
MCON 1.2 Locking Lance Receptacle and Tab Terminals



TE Part # 2141970-1
MCON 1.2 LL REC SWS SN


Also in the Series | MCON 1.2mm




Automotive Connector Caps & Covers (18)



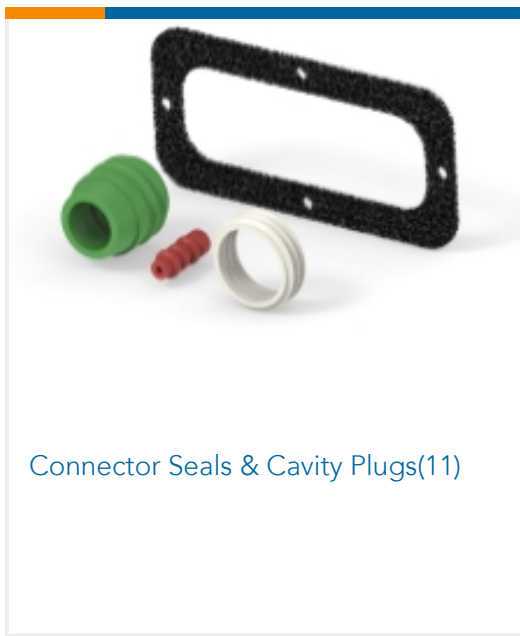
Automotive Connector Locks & Position Assurance(10)



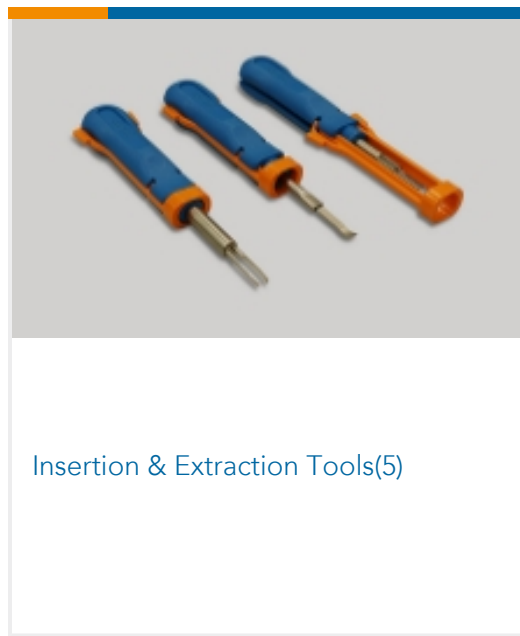
Automotive Housings(328)



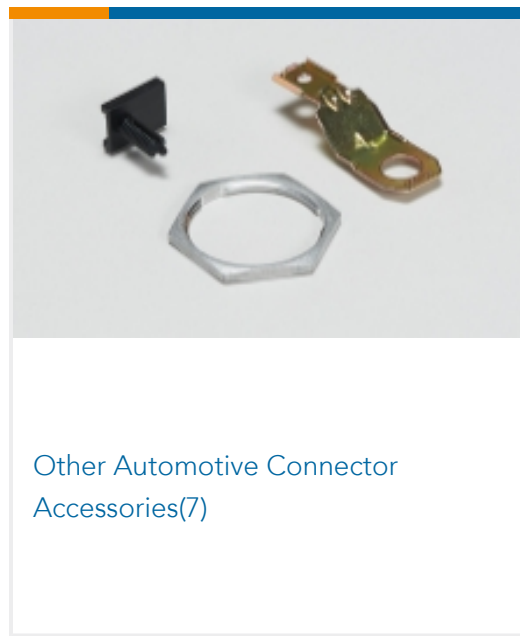
Automotive Terminals(96)



Connector Seals & Cavity Plugs(11)

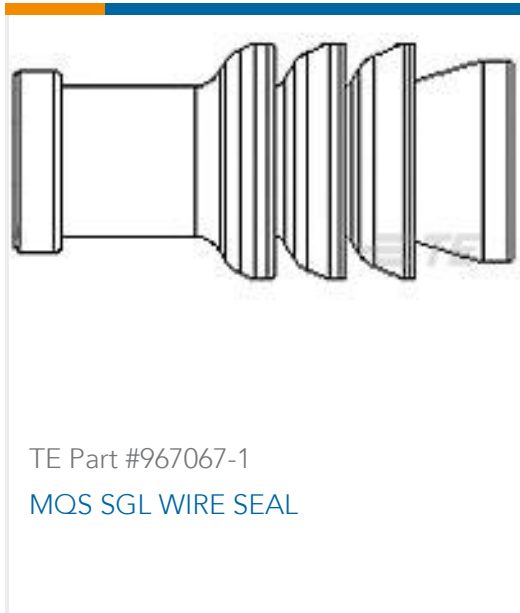


Insertion & Extraction Tools(5)



Other Automotive Connector Accessories(7)

Customers Also Bought



TE Part #967067-1
MQS SGL WIRE SEAL



TE Part #CZ4488-000
SCT-NO.4-E2-0-45MM



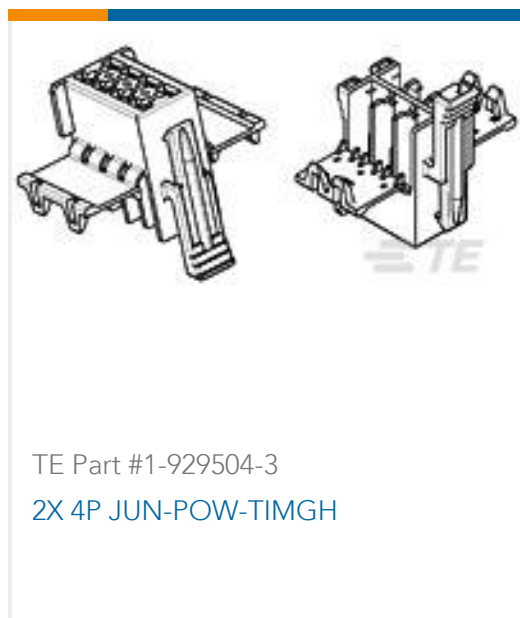
TE Part #2050832-2
COVER FOR 3P SENSOR CONNECTOR



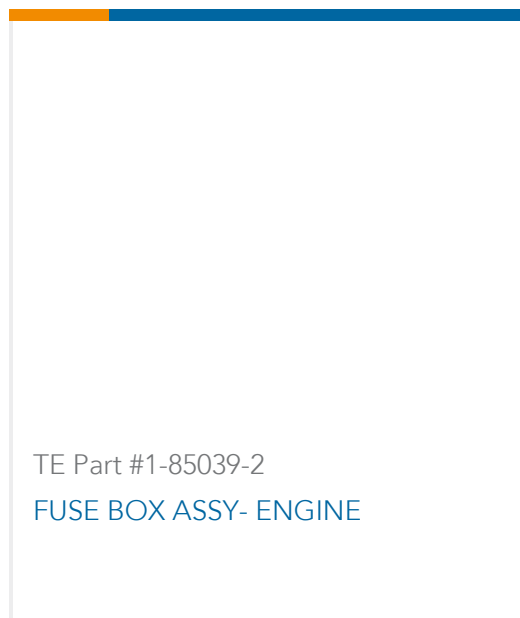
TE Part #1534222-1
MQS COVER 2X16P



TE Part #7-2836129-7
OCEAN_2.0_SPARE_PART_KIT-033F055O



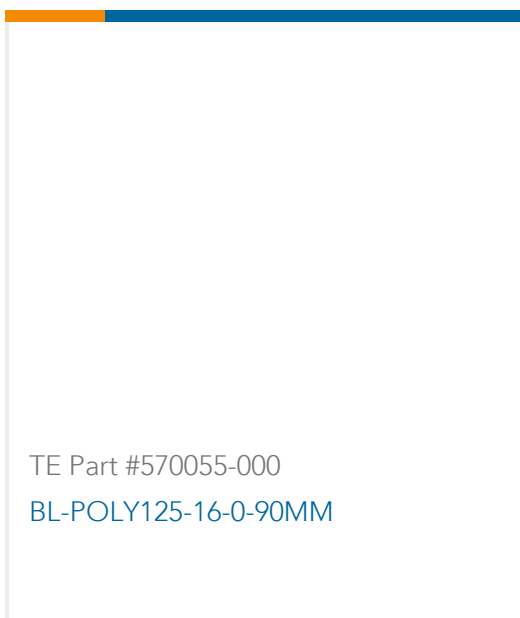
TE Part #1-929504-3
2X 4P JUN-POW-TIMGH



TE Part #1-85039-2
FUSE BOX ASSY- ENGINE



TE Part #3-967624-6
JUN-POW-TIM GEH 18P



TE Part #570055-000
BL-POLY125-16-0-90MM

Documents

Product Drawings

5POS, MCON 1.2 LL REC SEALED

English

CAD Files

3D PDF

3D

Customer View Model

ENG_CVM_CVM_1-1718806-1_E.2d_dxf.zip



English

Customer View Model

[ENG_CVM_CVM_1-1718806-1_E.3d_igs.zip](#)

English

Customer View Model

[ENG_CVM_CVM_1-1718806-1_E.3d_stp.zip](#)

English

By downloading the CAD file I accept and agree to the [Terms and Conditions](#) of use.

Product Specifications

[Application Specification](#)

English