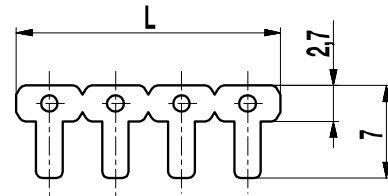
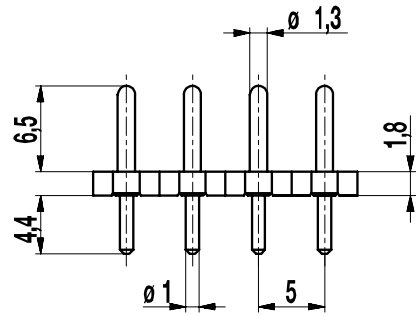


# 971-SLS

Pin strip

Soldering area  $\varnothing$  1 mm; plug-in area  $\varnothing$  1,3 mm, with support



## GENERAL INFORMATION

Pitch	5 mm
No. of poles	2 - 24
Usable with	971-FBS; 950-RFL; 950-NAF; 950-FL; 950-RFL; 950-GFL; 958-FL
Additional Information	Application tip: In combination with 950-FB, 951-FB, 970-FB or 971-FB series socket connectors, printed circuit boards can be directly connected.

## TECHNICAL DATA

Overvoltage Category	III	III	II
Pollution Severity Level	3	2	2
Rated Voltage	200 V	320 V	320 V
Rated Impulse Voltage	4 kV	4 kV	4 kV
Rated Current	6 A		
Hole in PCB	$\varnothing$ 1,3 mm		

## APPROVALS

	Current [A]	Voltage [V]	Group	AWG	[Nm]
	10	300	B		
	10	300	B		
	Current [A]	Voltage [V]	mm <sup>2</sup>		
	13,5	200 [1]			

[1] Acc. to IEC 60947-7-4 und IEC 60947-1

## MATERIAL

Moulding	PBTP, black, V-0
Comparative Tracking Index	CTI 175
Insulating Group	IIIa
Temperature Range	-40°C up to 100°C
Solder pin	$\varnothing$ 1,3 mm (plug-in area) / $\varnothing$ 1,0 mm (soldering area); tin plated brass

## OPTIONS / ACCESSORIES

- Pitch of 10 mm for larger clearance and creepage distances
- Other pin lengths on request
- Other solder pin surfaces on request

## CONFIGURATIONS

Poles	Item	Article number	Length (L)	Packaging	PU
2	971-SLS/02	12.893.602	10,00 mm	Box	500
3	971-SLS/03	13.893.602	15,00 mm	Box	500
4	971-SLS/04	14.893.602	20,00 mm	Box	250
5	971-SLS/05	15.893.602	25,00 mm	Box	250
6	971-SLS/06	16.893.602	30,00 mm	Box	250
7	971-SLS/07	17.893.602	35,00 mm	Box	250
8	971-SLS/08	18.893.602	40,00 mm	Box	100
9	971-SLS/09	19.893.602	45,00 mm	Box	100
10	971-SLS/10	20.893.602	50,00 mm	Box	100
11	971-SLS/11	21.893.602	55,00 mm	Box	100
12	971-SLS/12	22.893.602	60,00 mm	Box	100

further number of poles on request

