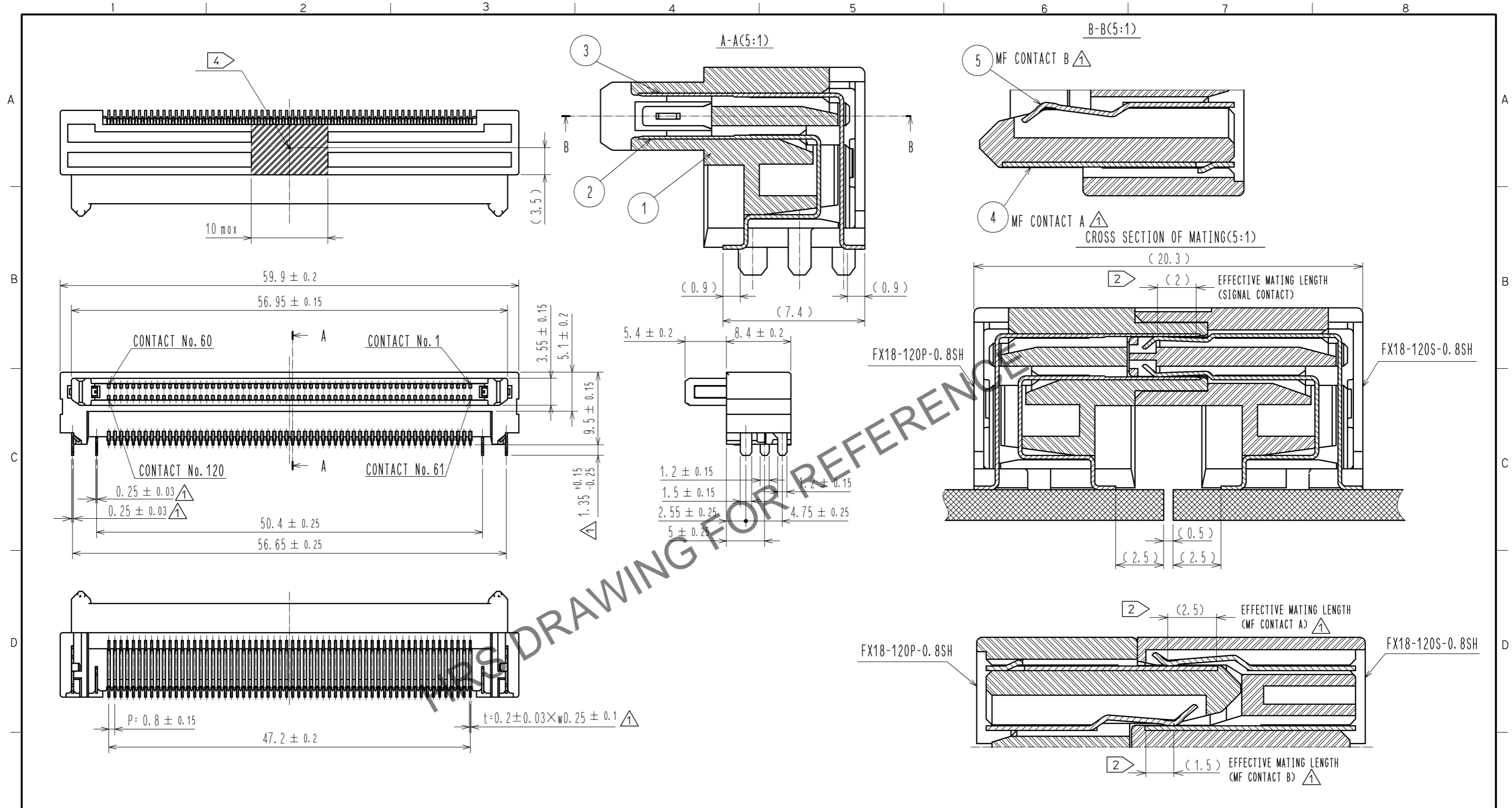


Jun.1.2024 Copyright 2024 HIROSE ELECTRIC CO., LTD. All Rights Reserved.
In case of consideration for using Automotive equipment / device which demand high reliability, kindly contact our sales window correspondents.



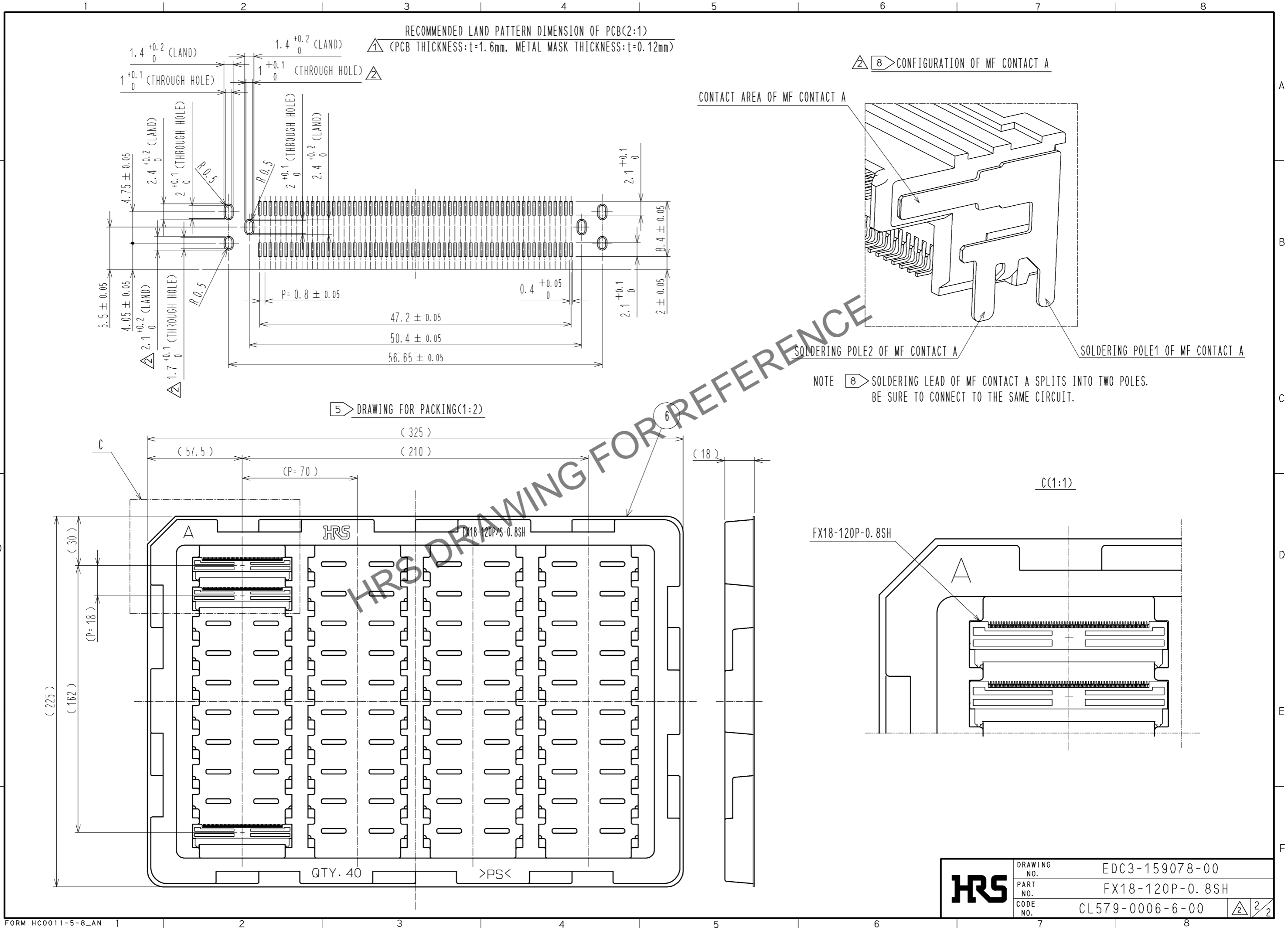
NOTE 1 LEAD CO-PLANARITY IS 0.1mm MAX.
 ⚠️ ② CONTACTS ARE 3 STEPS SEQUENTIAL. (MF CONTACT A->SIGNAL CONTACT->MF CONTACT B) WHEN USING THIS SEQUENTIAL STRUCTURE. PLEASE AVOID ANGLED INSERTION.
 ⚠️ ③ MF CONTACT A AND MF CONTACT B CAN BE USED AS POWER SUPPLY CONTACT. (3A/PIN MAX)
 ④ IT SHOWS CONNECTOR'S CENTRE OF GRAVITY AND VACUUM PICKUP AREA.
 ⑤ THIS IS PACKAGED IN TRAY. (40pcs/TRAY)
 6 BLEMISH AND HIT MARK CAN BE OCCURED THROUGH OUT THE MANUFACTURING PROCESS WHICH DOESN' T AFFECT QUALITY LEVEL.
 7 THE DIMENSIONS IN PARENTHESES ARE FOR REFERENCES.

| NO. | MATERIAL | FINISH . | REMARKS | NO. | MATERIAL | FINISH . | REMARKS |
|-----|-----------------|---|---------|-----|-----------------|---|---------|
| 3 | PHOSPHOR BRONZE | CONTACT AREA:GOLD 0.1µm LEAD AREA:GOLD 0.03µm UNDER PLATING:NICKEL 1.3µm ⚠️ | | 6 | POLYSTYRENE | | |
| 2 | PHOSPHOR BRONZE | CONTACT AREA:GOLD 0.1µm LEAD AREA:GOLD 0.03µm UNDER PLATING:NICKEL 1.3µm ⚠️ | | 5 | PHOSPHOR BRONZE | CONTACT AREA:GOLD 0.1µm LEAD AREA:TIN-PLATING 1µm UNDER PLATING:NICKEL 1.3µm ⚠️ | |
| 1 | POLYAMIDE | BLACK UL94V-0 | | 4 | PHOSPHOR BRONZE | CONTACT AREA:GOLD 0.1µm LEAD AREA:TIN-PLATING 1µm UNDER PLATING:NICKEL 1.3µm ⚠️ | |

| UNITS | SCALE | COUNT | DESCRIPTION OF REVISIONS | DESIGNED | CHECKED | DATE |
|-------|-------|-------|--------------------------|----------|--------------|----------|
| mm | 2 : 1 | 4 | DIS-F-005578 | TH. SANO | KI. HIROKAWA | 11.07.21 |

| APPROVED | CHECED | DESIGNED | DRAWN | DRAWING NO. | PART NO. | CODE NO. |
|--------------------|--------------------|-----------------------|-----------------------|----------------|-----------------|-----------------|
| HS. OKAWA 09.04.24 | HS. OZAWA 09.04.24 | KI. HIROKAWA 09.04.24 | KI. HIROKAWA 09.04.24 | EDC3-159078-00 | FX18-120P-0.8SH | CL579-0006-6-00 |

Jun.1.2024 Copyright 2024 HIROSE ELECTRIC CO., LTD. All Rights Reserved.
 In case of consideration for using Automotive equipment / device which demand high reliability, kindly contact our sales window correspondents.



| | | | |
|------------|-------------|-----------------|-----|
| HRS | DRAWING NO. | EDC3-159078-00 | 2/2 |
| | PART NO. | FX18-120P-0.8SH | |
| | CODE NO. | CL579-0006-6-00 | |
| | | | |