

data sheet

pc_o. pixelfly 1.4 DS USB

digital 14 bit CCD camera

DS double
shutter

resolution

1.4 MPixel

pixel size

6.45 μm x 6.45 μm

interface

USB 2.0



low noise
6 electrons

quantum efficiency
up to 62 %

housing: ultra
compact design

resolution
1392 x 1040 pixel

short interframing
time

available in mono
and color

pc_o.

An Excelitas Technologies Brand

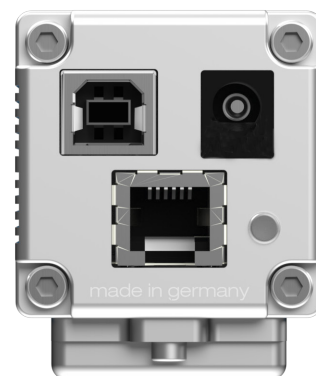
technical data

image sensor

sensor technology	CCD
color type	monochrome or color
resolution (horizontal x vertical)	1392 pixel x 1040 pixel (normal) 800 pixel x 600 pixel (center ROI)
pixel size (horizontal x vertical)	6.45 µm x 6.45 µm
sensor size (horizontal x vertical)	9.0 mm x 6.7 mm
sensor diagonal	11.2 mm
shutter type	global shutter (snapshot), double shutter (ds)
modulation transfer function (theoretical max.)	77.5 lp/mm
fullwell capacity	16.000 e ⁻ 24.000 e ⁻ (binning)
readout noise (typ.)	5 .. 7 e ⁻ rms @ 12 MHz (typ.) 6 .. 8 e ⁻ rms @ 24 MHz (typ.)
dynamic range (intra-scene)	2 667 : 1 (68.0 dB) 4 000 : 1 (72.0 dB, binning)
peak quantum efficiency	62 % @ peak
spectral range	290 nm - 1100 nm
dark current	1 e ⁻ /pixel/s @ +23 °C sensor temperature

frame rate table

resolution	normal (1392 pixel x 1040 pixel)		center (800 pixel x 600 pixel)	
pixelclock (MHz)	12	24	12	24
frame rate	3.65 fps	6.75 fps	5.75 fps	10.8 fps
frame rate x2 binning	7.35 fps	13.5 fps	10.9 fps	20.2 fps
frame rate x4 binning	13.5 fps	23.5 fps	17.5 fps	31.0 fps



camera

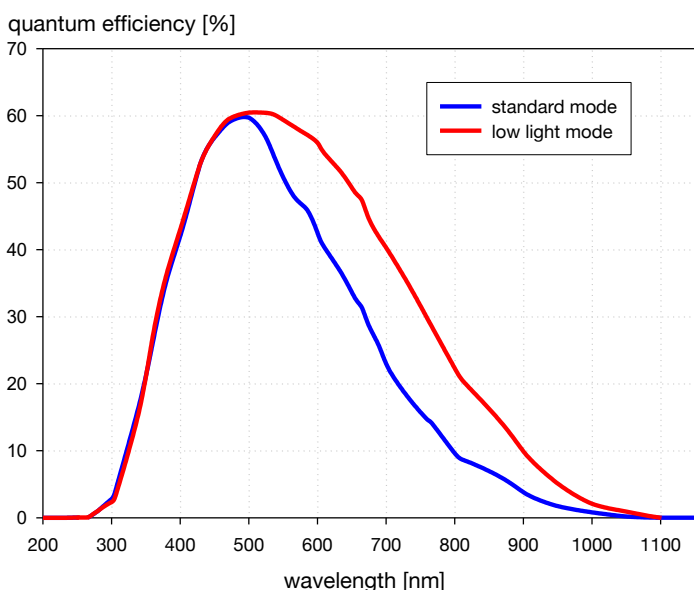
max. frame rate @ full resolution	3.65 / 6.75 fps (12 / 24 MHz, normal) 5.75 / 10.8 fps (12 / 24 MHz, center)
exposure time range	1 μ s - 60 s
dynamic range A/D	14 bit
conversion factor	1.0 e ⁻ /count 1.5 e ⁻ /count
pixel scan rate	12 MHz / 24 MHz
pixel data rate	19.5 MPixel/s
binning	x1, x2, x4
non-linearity	< 1 %
smear	< 0.002 %
dark signal non-uniformity (DSNU)¹	< 2 e ⁻ rms
photo response non-uniformity (PRNU)²	< 1 %
anti blooming factor	> 400 (standard 100 ms exposure) > 4 (NIR boost 100 ms exposure)
interframing time³	1 μ s
trigger input signals	software / 3.3 V LVTTTL level
trigger output signals	3.3 V LVTTTL level
input / output signal interface	via RJ11 connector or via BNC using PCO trigger interface box
data interface	USB 2.0

¹dark signal non-uniformity measured in a 90 % center zone of the image sensor

² photo response non-uniformity

³time between two consecutive images

quantum efficiency



Standard mode: Ideal for exposure times up to 60 s / Maximum anti blooming function / Minimum fixed pattern in bright CCD areas / Linear operation up to fullwell capacity.

Low light mode: Ideal for exposure times from 1 ms to approximately 10 s / anti blooming function is reduced to about 4-time overexposure.

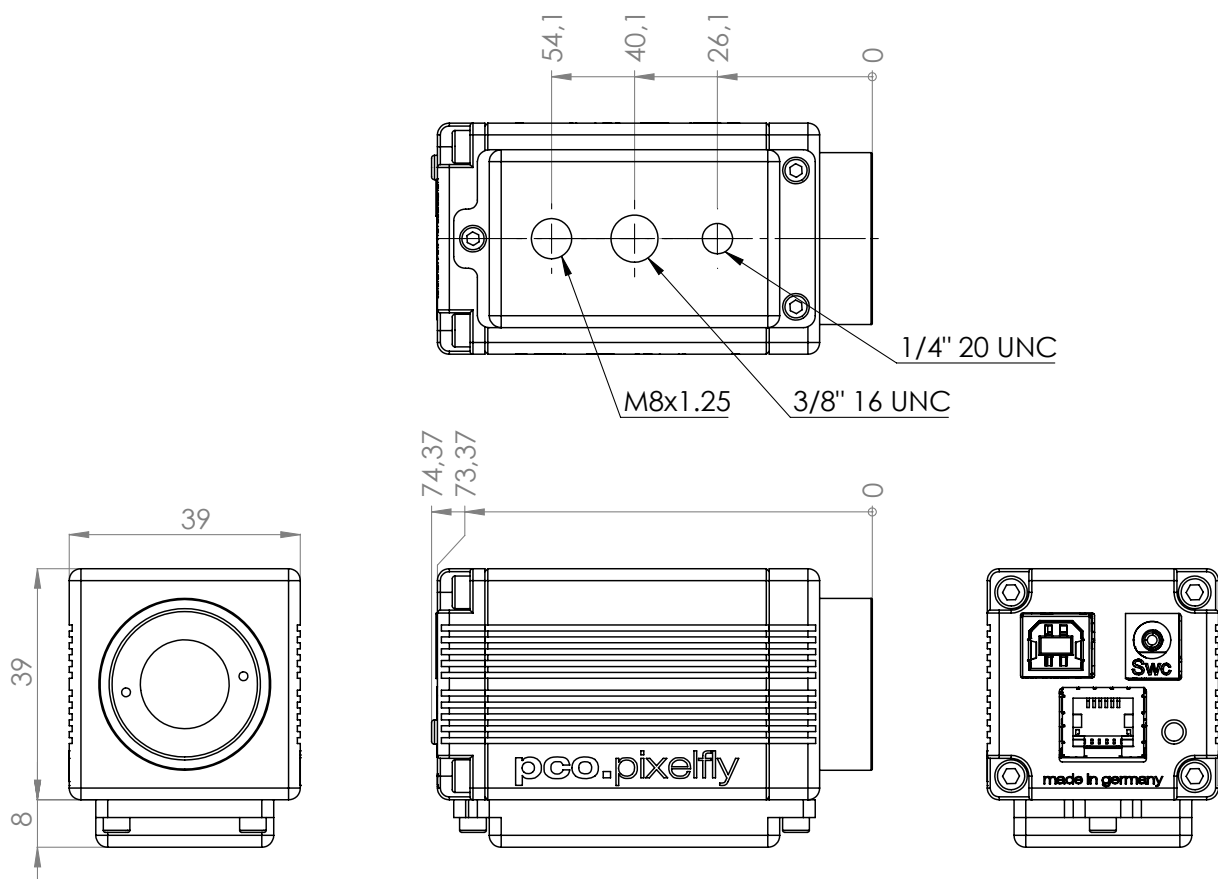
The diagram is representative for the monochrome version.

general

power supply	9 .. 28 VDC (12 VDC typ.)
power consumption	< 4 W
weight	0.25 kg
dimensions (height x width x length)	47 mm x 39 mm x 74.4 mm
operating temperature range	+10 °C to +45 °C
operating humidity range (non-condensing)	10 % to 80 % (non-condensing)
storage temperature range	-20 °C to +70 °C
CE / FCC certified	yes
lens mounting	C-Mount

Configure your optical setup with our **MachVis Lens Selector** online tool.

dimensions



Outlines of pco.pixelfly 1.4 DS USB (all dimensions given in mm).

software

Our main camera control software pco.camware is the first choice to get started with your camera. It enables full control of all camera settings and makes image acquisition and storage very easy. Using different layouts, styles and features you can customize it exactly to your needs.



You are using a different software:

PCO cameras are also integrated in a variety of software applications. Check our homepage to find a list of all applications that support PCO cameras.

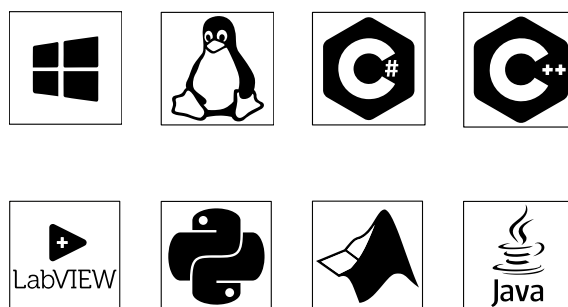
Your use case is in the field of microscopy:

PCO cameras are also integrated in μ Manager.



You want to create your own application for the camera:

We offer a wide range of Software Development Kits (SDK) for different programming languages, both for windows and linux. Our pco.sdk, pco.recorder and high-level SDK are designed for C/C++ apps. With pco.python, pco.matlab, pco.labview and pco.java you can control the camera in your C#, python, matlab, labview and java applications, respectively.



areas of application

scientific imaging | low light level imaging | combustion imaging | high resolution microscopy | machine vision | industrial applications | particle imaging velocimetry (PIV) | spectroscopy | flow visualization (hydrodynamics) | industrial oem applications | fuel injection | material testing | luminescence spectroscopy | RED and NIR fluorescence applications | imaging of bio-markers (e.g. green fluorescent protein) | scintillation recording | speckle interferometry

ordering information

pco.pixelfly 1.4 DS USB	85108015050	camera system, double shutter, monochrome, 1392x1040 pixel, USB2
pco.pixelfly 1.4 DS C USB	85108015051	camera system, double shutter, color, 1392x1040 pixel, USB2

pco.

An Excelitas Technologies Brand

telephone:	+49 (0) 9441 2005 0
fax:	+49 (0) 9441 2005 20
postal address:	Excelitas PCO GmbH Donaupark 11 93309 Kelheim, Germany
e-mail:	pco@excelitas.com
web:	www.excelitas.com

