

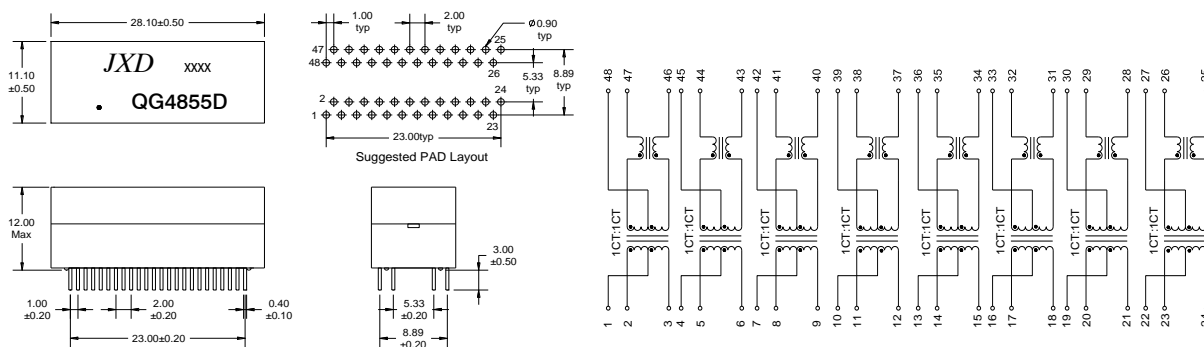
QG4855D

2.5G/5G Double Port Transformer Module

1. Designed for long haul 2.5G/5G Double Port Transformer Module
2. Supports four pairs of category 5 UTP cable, Cable interface for isolation and low common mode emissions.
3. Low profile Surface Mount Packaging designed for Hi-Temp Reflow Process
4. Compliant with IEEE 802.3bz standard for 2.5G/5G Base-Z, Designed to support 1:1 Turns Ratio Transceivers.



DIMENSIONS & SCHEMATICS

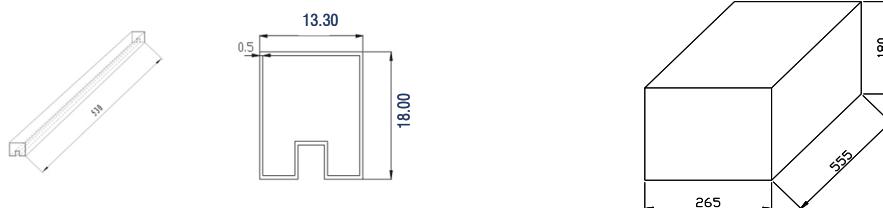


Note: 1. Dimension: mm; 2. Unless otherwise specified, tolerances are: ± 0.15mm

TECHNICAL SPECIFICATIONS

| | |
|------------------------------|---|
| OCL : | 180 μ H Min. @ 100 KHz, 100mV with 8mA DC Bias |
| Leakage Inductance: | 0.5 μ H Max. @ 100KHz, 0.1V |
| Cw/w: | 35 pF Max. @ 100KHz, 0.1V |
| DCR: | 1.00 Ω Max |
| Turns Ratio (\pm 5%): | 1CT:1(TX), 1CT:1(RX) |
| Insertion Loss: | -1.0 dB Max. @ 1-100MHz -2.0dB Max. @ 100-250MHz |
| Return Loss: | -16 dB Min @ 1 \leq f \leq 40 MHz -16+10log(f/40) dB Min @ 40 < f \leq 250 MHz |
| Cross Talk: | -30dB Typ @ 1-250MHz |
| Common Mode Rejection : | -30dB Typ @ 1-250MHz |
| Isolation HI-POT: | 1500Vrms 1mA 60S |
| Operating Temperature range: | -40 ~ + 85°C |
| Storage temperature range: | -40 ~ + 125°C |

PACKING SPECIFICATION



- 1.units/reel:18PCS
- 2 .reel/carton:90PCS
- 3.units/carton :1620PCS

Shenzhen magnetic Lianda Electronics Co., LTD

Address: 505, West Block, No. 221, Niucheng Road, Niucheng Village, Baiwang Community, Xili Street, Nanshan District, Shenzhen
E-mail: sales1@cd-tek.com 0755-27652992 29016433 Website:www.cd-tek.com