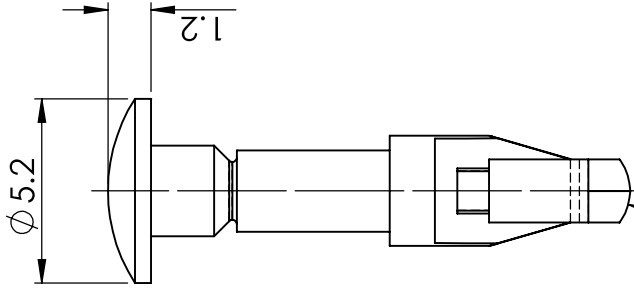
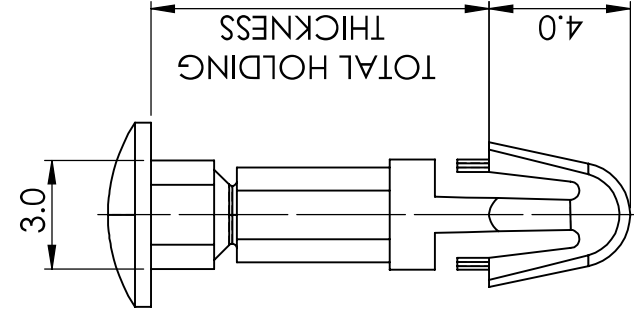
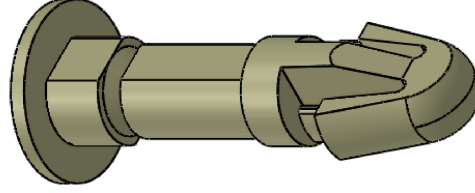
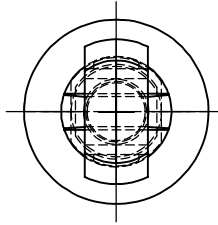


TOTAL HOLDING THICKNESS

9.5



TO SNAP LOCK IN
3.18 DIA HOLE



© 2013 Essentra Components. All rights reserved.
Registered in England, Company No. 547495.
Registered Office: Essentra plc
Langford Locks, Kidlington, Oxford, OX5 1HX

Condition of Sale can be found on our website: essentra.com.

Essentra Components does not warrant that the files will be error free and may create new versions ("Upgrades") at any time, which may correct such errors. Essentra Components has no obligation to notify you of such upgrades. Any upgraded file will be published to the website, when it becomes available.

You are not permitted to load any of the files on to a network server for the purposes of distribution to one or more other computer(s) on that network or to effect such distribution. Essentra Components shall not be liable for any loss or damage whatsoever or however caused, arising directly or indirectly from the use of the files.

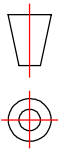
UNCONTROLLED COPY

STATUS

APPROVED DRAWING

UNLESS OTHERWISE STATED

ALL DIMENSIONS IN mm DO NOT SCALE

LINEAR TOLERANCE		THIRD ANGLE PROJECTION
SIZE	(0) (0.00)	
0-10	±0.15 ±0.10	
>10-30	±0.20 ±0.15	
>30-50	±0.30 ±0.20	
>50-100	±0.50 ±0.25	
>100-200	±1.5 ±0.80 ±0.40	
ANGULAR TOLERANCE ±0.5 DEGREES		
UNSPECIFIED RADII 0.25mm		
DRAFT ANGLE 0.5 DEGREES		
DIMENSIONS IN BRACKETS [] ARE		
>200-300	±2.0 ±1.20 ±0.80	
>300-500	±3.0 ±2.00 ±1.00	
>500	±5.0 ±3.00 ±1.50	

CREATE DATE	MATERIAL
08.12.2022	NYLON 6/6
ITEM CODE	COLOUR
10171721	NATURAL
LEGACY NUMBER	FINISH
SLPA125-375-01	-

TITLE:

PUSH-IN RIVET NYLON

DWG. NO.

10171721

SCALE

5:1

SHEET

1 of 2

ISSUE

1



© 2013 Essentra Components. All rights reserved.
 Registered in England, Company No. 547495.
 Registered Office: Essentra plc
 Langford Locks, Kidlington, Oxford, OX5 1HX

Condition of Sale can be found on our website: essentra.com.

Essentra Components does not warrant that the files will be error free and may create new versions ("Upgrades") at any time, which may correct such errors. Essentra Components has no obligation to notify you of such upgrades. Any upgraded file will be published to the website, when it becomes available.

You are not permitted to load any of the files on to a network server for the purposes of distribution to one or more other computer(s) on that network or to effect such distribution. Essentra Components shall not be liable for any loss or damage whatsoever or however caused, arising directly or indirectly from the use of the files.

UNCONTROLLED COPY

STATUS

APPROVED DRAWING

UNLESS OTHERWISE STATED

ALL DIMENSIONS IN INCHES

DO NOT SCALE

THIRD ANGLE PROJECTION



LINEAR TOLERANCE

SIZE

(0.001) (0.000) (0.0000)

0 - 0.394 ±0.020 ±0.006 ±0.004

>0.394 - 1.181 ±0.020 ±0.008 ±0.006

>1.181 - 1.969 ±0.020 ±0.012 ±0.008

>1.969 - 3.937 ±0.031 ±0.020 ±0.010

>3.937 - 7.874 ±0.059 ±0.031 ±0.016

>7.874 - 11.811 ±0.079 ±0.047 ±0.031

>11.811 - 19.685 ±0.118 ±0.079 ±0.039

>19.685 ±0.197 ±0.118 ±0.059

ANGULAR TOLERANCE

±0.5 DEGREES

UNSPECIFIED RADIUS 0.010 INCH

DRAFT ANGLE 0.5 DEGREES

FINISH UNLESS OTHERWISE SPECIFIED

ARE IN INCHES FOR

REFERENCE ONLY

CREATE DATE

08.12.2022

MATERIAL

NYLON 6/6

ITEM CODE

10171721

COLOUR

NATURAL

LEGACY NUMBER

SLPA125-375-01

FINISH

-

TITLE:

PUSH-IN RIVET NYLON

DWG. NO.

10171721

SCALE

1:1

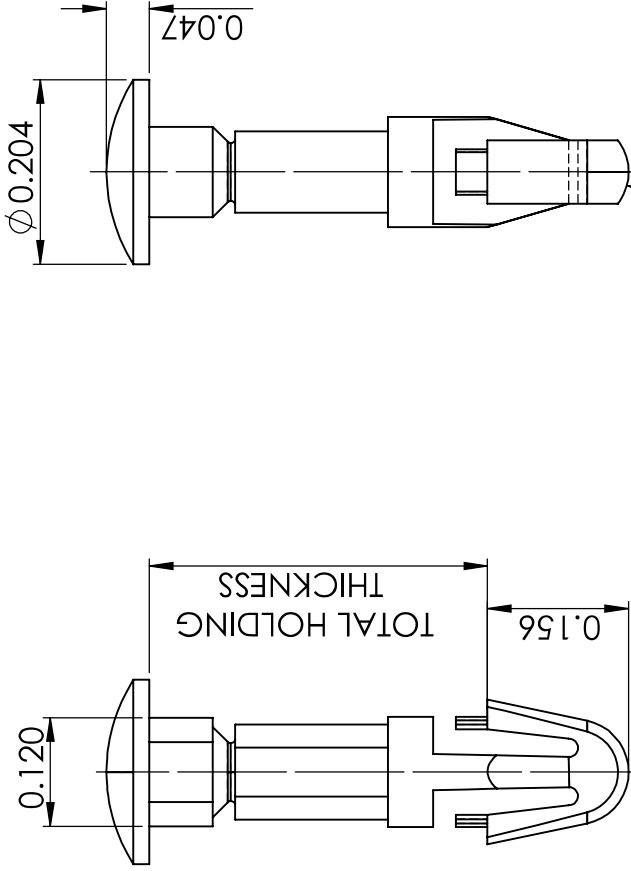
SHEET

2 of 2

ISSUE

1

TOTAL HOLDING THICKNESS
0.374



TO SNAP LOCK IN
0.125 DIA HOLE

