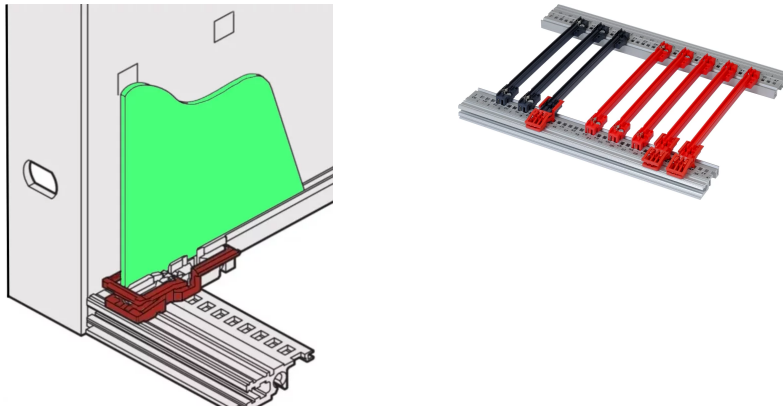


24560-377 PCB RETAINER C



KEY FEATURES

Possible application on top and bottom horizontal rail

Can also be used without PCB handle

Can also be used from Slot position "2"

For fixing PCB in a subrack or 19" case

For EuropacPRO, MultipacPRO, RatiopacPRO, PropacPRO and CompacPRO

Can only be used in combination with guide rails type "Accessory"

PRODUCT ATTRIBUTES

Product Type: PCB Retainer

Package Quantity: 10

ADDITIONAL PRODUCT DETAILS

The PCB handle enables a user to extract a PCB without a front panel.

Please order board handle C separately.

Can only be used with guide rail type accessory.

Minimum spacing of guide rail: 3 HP.

Cannot be used with Propac, Compac, or Inpac cases.



North America

All locations
+1.763.422.2661
Chat with us:
schroff.nvent.com

Europe

Straubenhardt, Germany
+49.7082.794.0
Betschdorf, France
+33.3.88.90.64.90
Warsaw, Poland
+48.22.209.98.35
Assago, Italy
+39.02.932.7141
Chat with us:
schroff.nvent.com

Asia

Shanghai, China
+86.21.2412.6943
Qingdao, China
+86.532.8771.6101
Singapore
+65.6768.5800
Shin-Yokohama, Japan
+81.45.476.0271
Chat with us:
schroff.nvent.com

Middle East & India

Dubai, United Arab Emirates
+971.4.378.1700
Bangalore, India
+91.80.6715.2001
Istanbul, Turkey
+90.216.250.7374
Chat with us:
schroff.nvent.com



Our powerful portfolio of brands:
nVent.com **CADDY ERICO HOFFMAN RAYCHEM SCHROFF TRACER**