

# HT

D-Sub connectors - Stamped and Formed Contacts

## RIGHT ANGLE HIGH TEMPERATURE AND HIGH DENSITY CONNECTORS



MAIN CHARACTERISTICS

### Specifications

- Connectors according to MIL C24308

Materials and platings	
<b>Shells</b>	Steel with nickel plating
<b>Insulator</b>	Glass filled thermoplastic, UL 94V-0
<b>Contacts</b>	Copper alloy, selective gold plating
<b>Rear insert</b>	Brass with nickel plating
<b>Screwlock</b>	Brass with nickel plating
<b>Grounding clip</b>	Copper alloy with tin plating

Electrical Data	
<b>Current rating</b>	5A
<b>Voltage rating</b>	600V AC/rms 50Hz
<b>Withstanding voltage</b>	1000V AC/rms 50Hz for one minute
<b>Insulation resistance</b>	5000MΩ
<b>Contact resistance</b>	10mΩ max

Climatic Data	
<b>Operating temperature</b>	-55°C to + 150° C, resist to short term (30s) at 260°C

Mechanical Data		
<b>Mating and unmating force</b>		
Unit: kg ( lb)		
No. of Cts	Mate (max)	Unmate (min)
15	3.81 (8.42)	0.52 (1.14)
28	5.95 (13.16)	1.05 (2.32)
44	9.26 (20.46)	1.37 (3.02)
62	13.48 (29.78)	1.76 (3.88)
<b>Standard plating thicknesses</b>		
	• gold flash	
	• 0.76 μm (30μ") gold	

DESCRIPTION

The Amphenol "HT" series allow the customers to use through holes connectors with reflow soldering process.

This series gives you Amphenol's high standards of quality and reliability to meet of your commercial requirements.

*Economical  
right angle PCB  
high temperature  
connectors*

APPLICATIONS

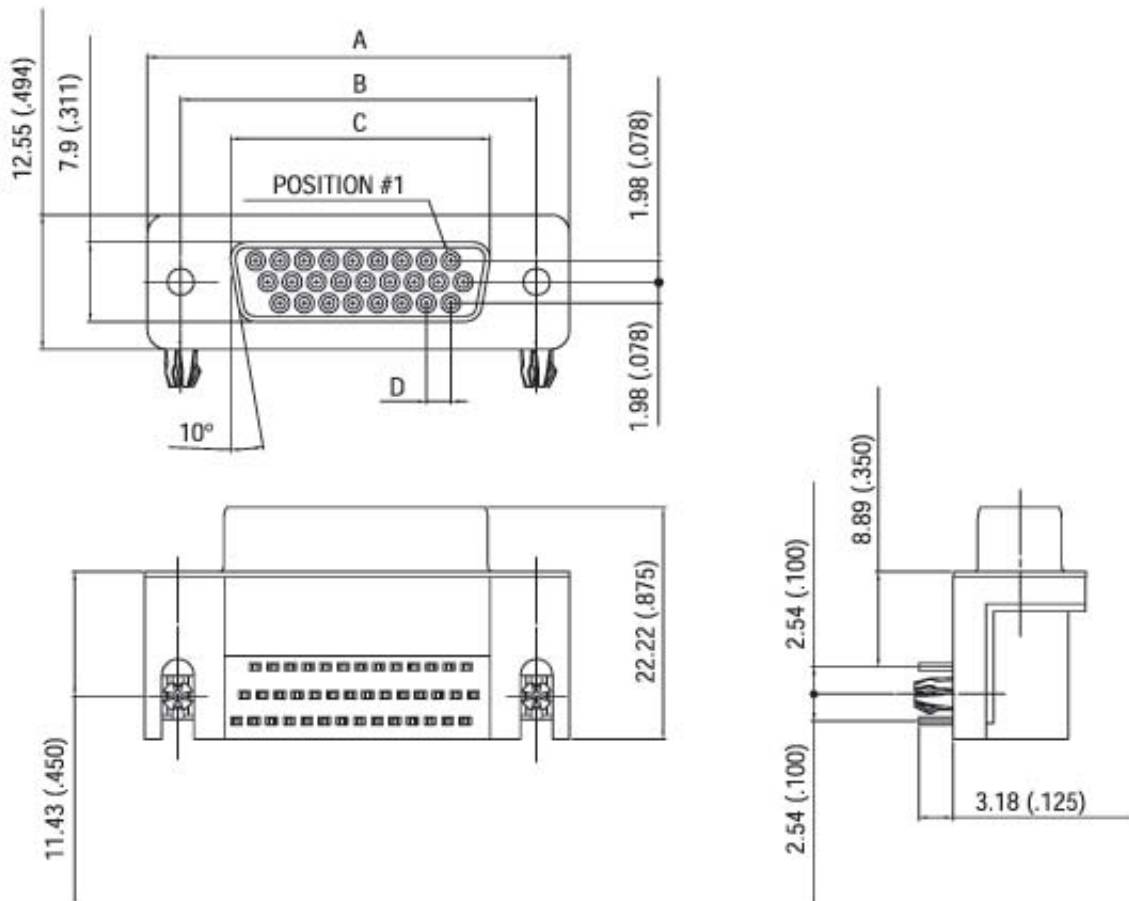
- Industrial
- Telecom
- Any industry standard I / O connections



**Amphenol**

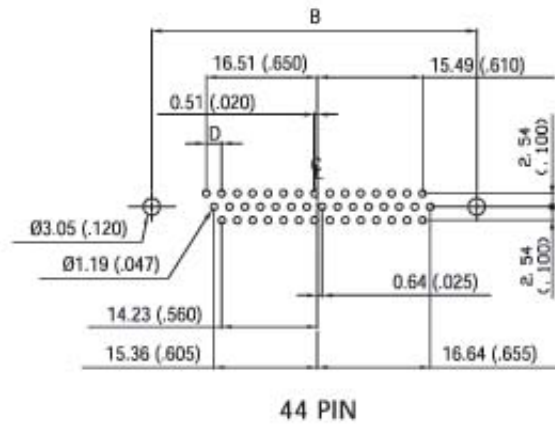
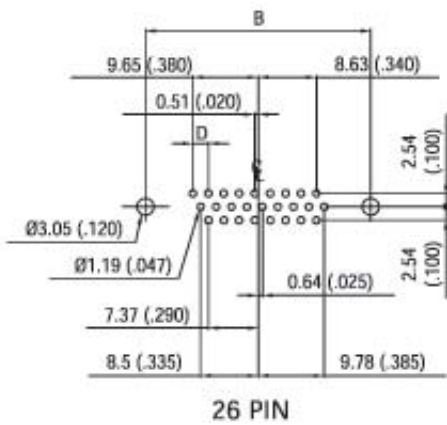
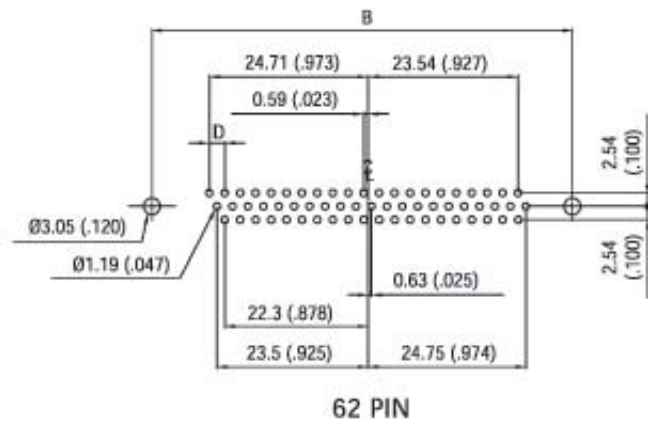
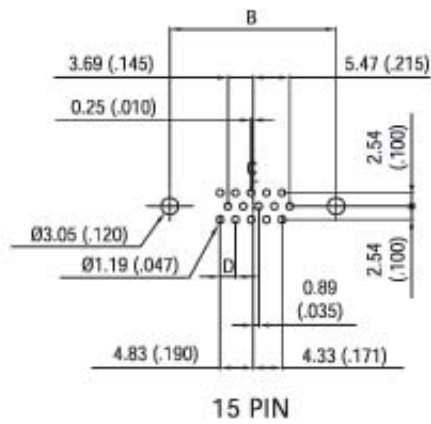
HT / E14

### Shell size dimensions

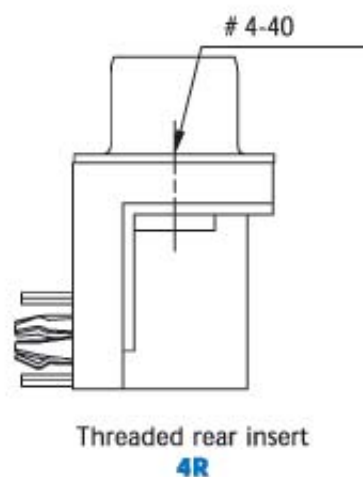
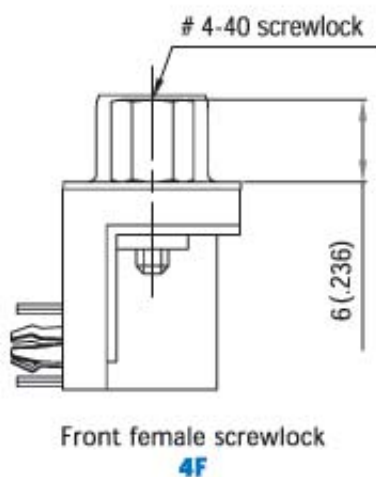


Nb OF CONTACTS	DIMENSIONS mm (inch)			
	A	B	C	D
15	30.84 (1.214)	24.99 (.984)	16.26 (.640)	2.29 (.090)
26	39.24 (1.545)	33.32 (1.312)	24.56 (.967)	2.29 (.090)
44	53.04 (2.088)	47.04 (1.852)	38.30 (1.508)	2.29 (.090)
62	69.34 (2.730)	63.50 (2.500)	54.76 (2.156)	2.41 (.095)

## P.C.B. Layout

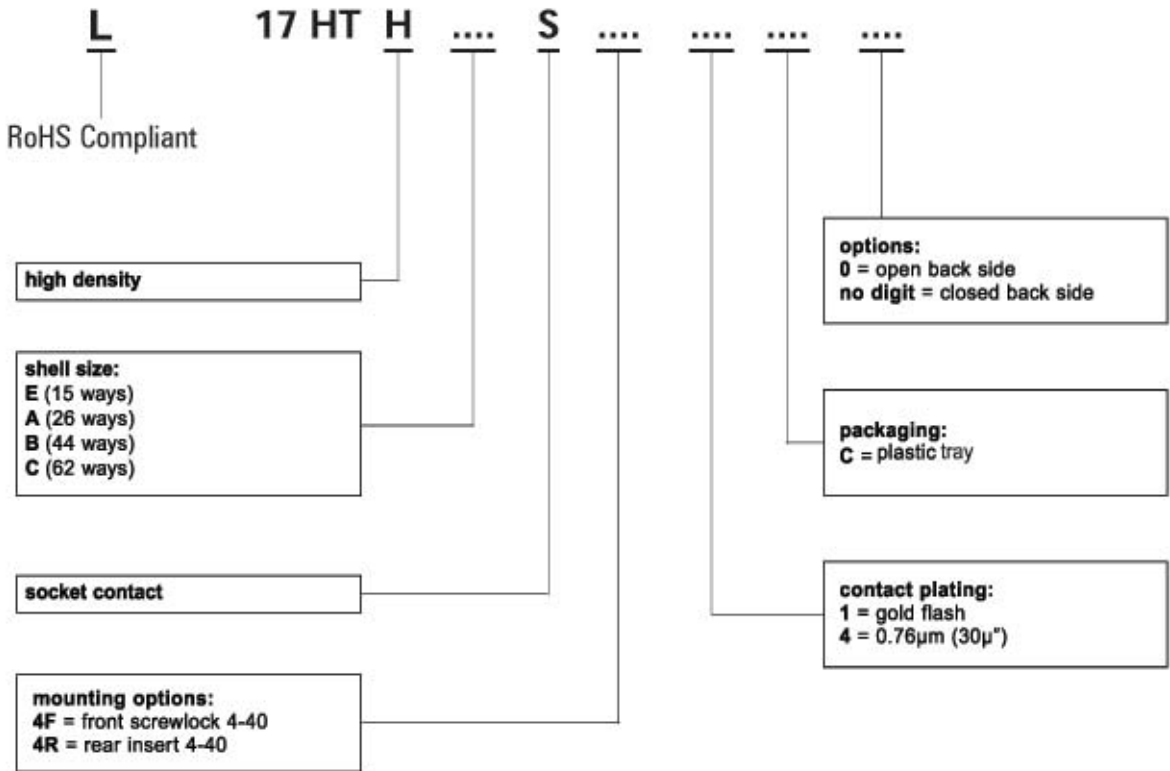


## Panel mounting option





## How to order



**For special request, please consult factory**

**Do not hesitate to contact us for further information**

# Amphenol

**Amphenol East Asia Electronic Technology(Shen Zhen)Co., Ltd.**

Block A3/A4, The4th Ind.District of  
Ind.HQ, Dong keng Road,  
Gong Ming Town , Shen zhen, china  
Fax: +86 (0) 755 2754 9955  
<http://www.dusubconnector.com>

**Technical support**

Tel: +33 (0) 3 84 85 94 00  
+86 (0) 755 2717 7945

