



AS-Interface adapter element, black, with/without external auxiliary voltage, can be selected, standard AS-i, for 4 signaling elements, 24 V DC, Diameter 70 mm

product brand name	SIRIUS
product designation	AS-Interface module
General technical data	
type of voltage of the operating voltage	DC
operating voltage	
• at DC rated value	18.5 ... 31.6 V
• 1 at DC rated value	24 V
consumed current maximum	210 mA
reference code according to EN 61346-2	B
Communication	
design of the interface AS-Interface protocol	Yes
Enclosure	
height	65.5 mm
width	70 mm
outer diameter of the signal column element	70 mm
material	PC
color	black
fastening method	Bayonet
protection class IP	IP65
Ambient conditions	
ambient temperature during operation	-20 ... +50 °C
Approvals Certificates	
General Product Approval	EMV



[Confirmation](#)



other	Environment
-------	-------------

[Confirmation](#)

[Environmental Confirmations](#)

Further information

Information on the packaging
<https://support.industry.siemens.com/cs/ww/en/view/109813875>
 Information- and Downloadcenter (Catalogs, Brochures,...)

<https://www.siemens.com/ic10>

Industry Mall (Online ordering system)

<https://mall.industry.siemens.com/mall/en/en/Catalog/product?mlfb=8WD4428-0BE>

Cax online generator

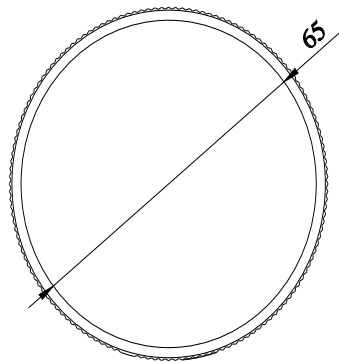
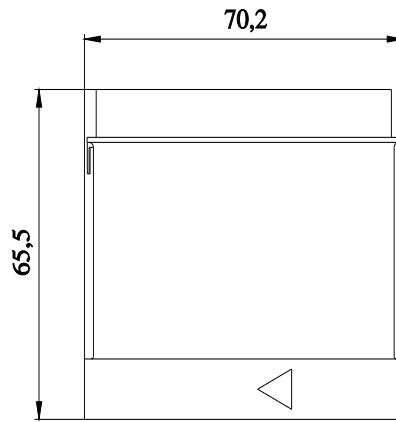
<http://support.automation.siemens.com/WW/CAXorder/default.aspx?lang=en&mlfb=8WD4428-0BE>

Service&Support (Manuals, Certificates, Characteristics, FAQs,...)

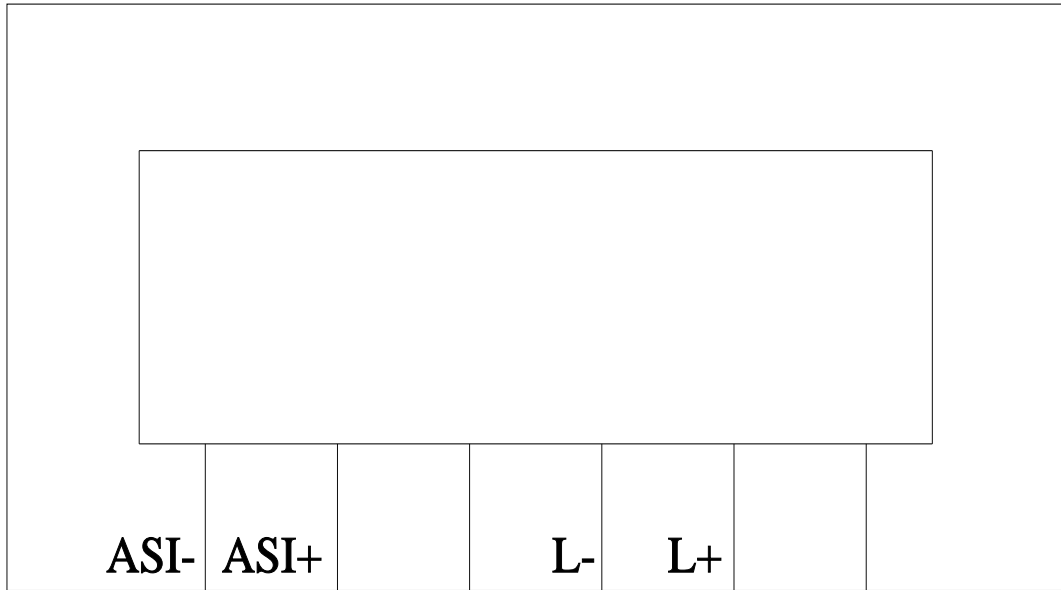
<https://support.industry.siemens.com/cs/ww/en/ps/8WD4428-0BE>

Image database (product images, 2D dimension drawings, 3D models, device circuit diagrams, EPLAN macros, ...)

http://www.automation.siemens.com/bilddb/cax_de.aspx?mlfb=8WD4428-0BE&lang=en



-B



last modified:

3/12/2024 