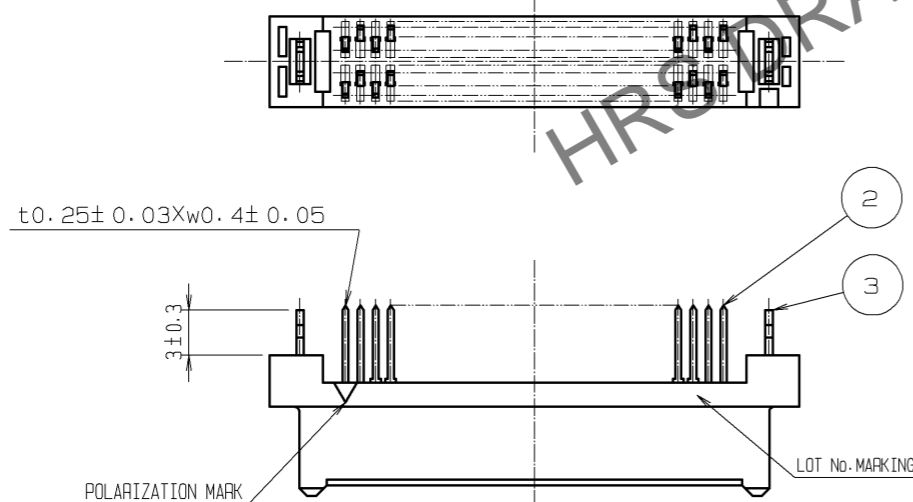
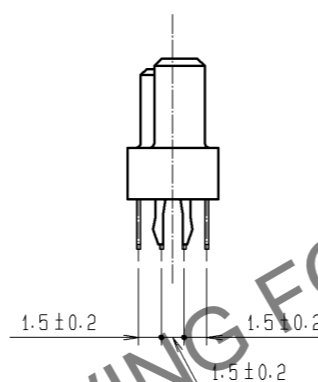
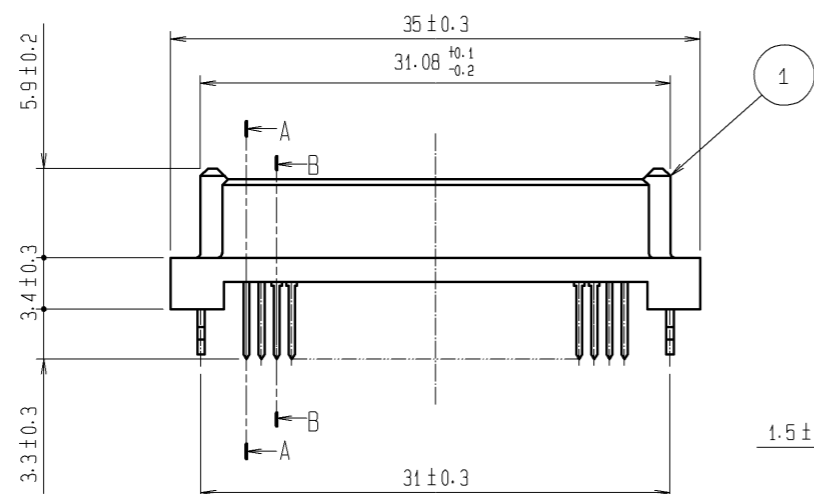
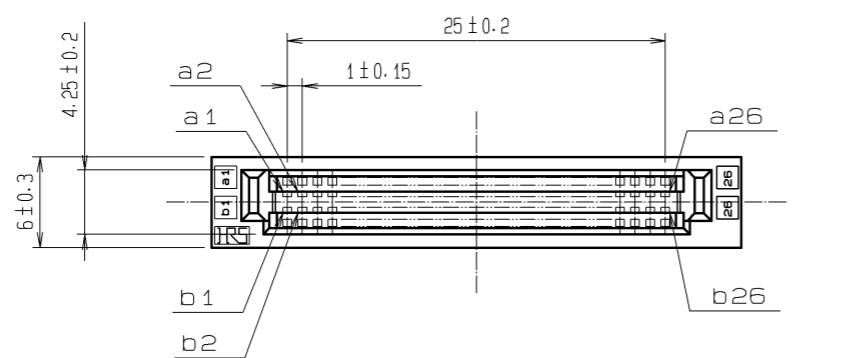
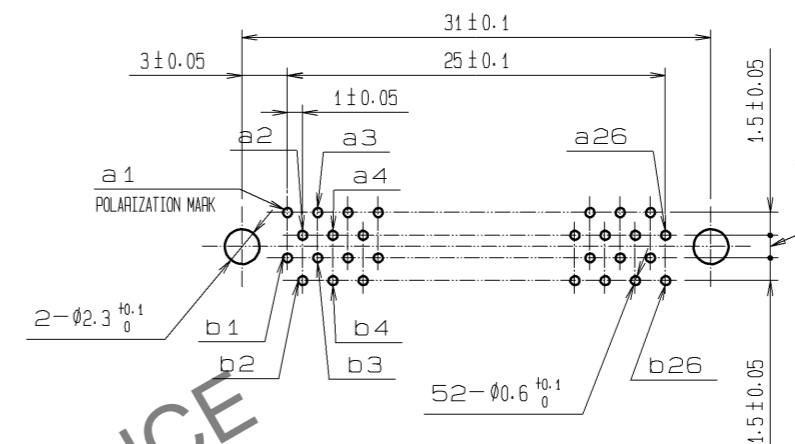


Jun.1.2024 Copyright 2024 HIROSE ELECTRIC CO., LTD. All Rights Reserved.
 In case of consideration for using Automotive equipment / device which demand high reliability, kindly contact our sales window correspondents.



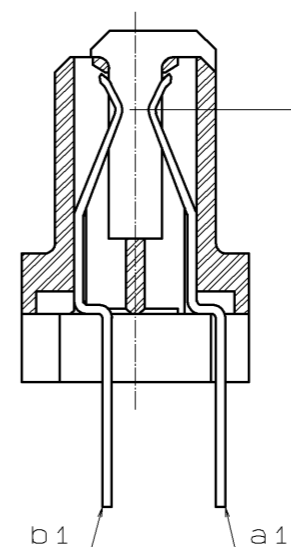
RECOMMENDED PC BOARD HOLE PATTERN (MOUNTING SIDE)
 APPLICABLE BOARD THICKNESS: 1.6



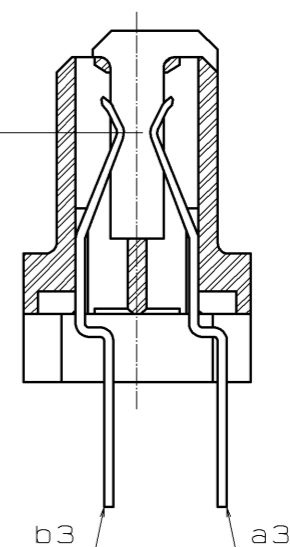
CONTACT SEQUENCE

SEQUENCE	PIN NO.
1	a1, a2, a25, a26 b1, b2, b25, b26
2	a3~a24 b3~b24

A-A (5:1)



B-B (5:1)



NO.	MATERIAL	FINISH	REMARKS	NO.	MATERIAL	FINISH	REMARKS
3	PHOSPHOR BRONZE	TIN-PLATING		2	PHOSPHOR BRONZE		CONTACT AREA : GOLD 0.1μm min. LEAD AREA : TIN-PLATING 1.2μm min. UNDER PLATING : NICKEL 1μm min.
1	POLYAMIDE	BEIGE	UL94V-0				

UNITS	SCALE	COUNT	DESCRIPTION OF REVISIONS	DESIGNED	CHECKED	DATE
mm	2:1	△	APPROVED : HS. OKAWA 08.07.14 CHECED : HT. YAMAGUCHI 08.07.14 DESIGNED : SY. KAMIGA 08.07.11 DRAWN : HK. SUNADORI 08.06.19			

DRAWING NO.	PART NO.	CODE NO.
EDC3-151419-21	FX5-52S2A-DSAL(71)	CL575-0126-2-71