

NHD-PCB0216CZ

Newhaven Display International, Inc.

2511 Technology Drive, Suite 101

Elgin IL, 60124

Ph: 847-844-8795

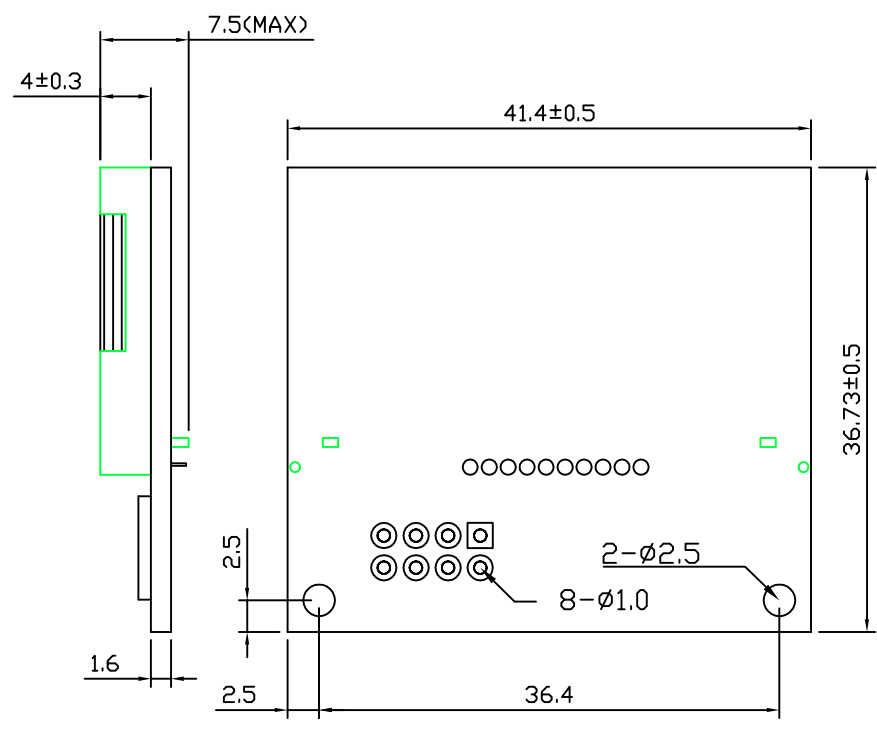
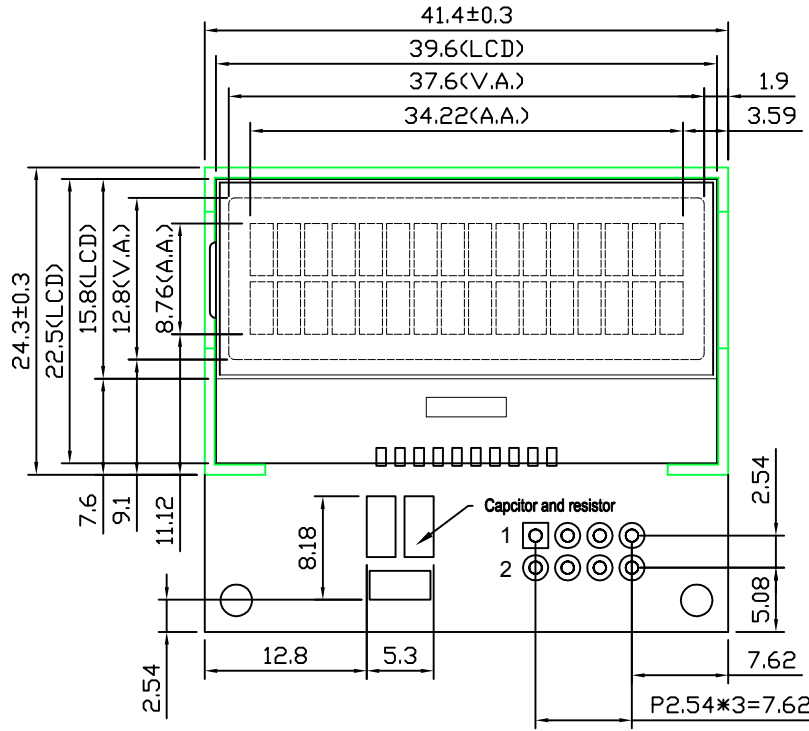
Fax: 847-844-8796

www.newhavendisplay.com

nhtech@newhavendisplay.com

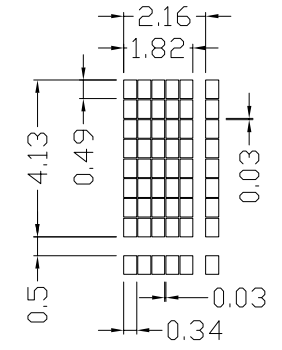
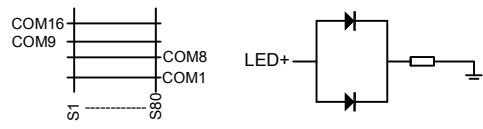
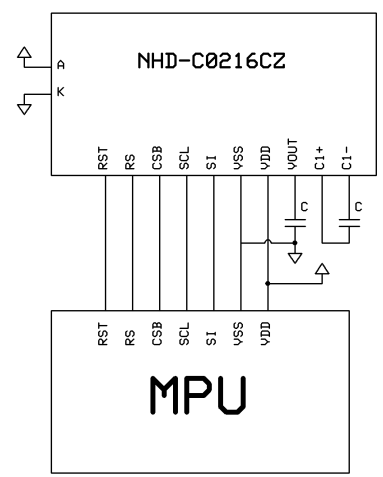
nhsales@newhavendisplay.com

REV	DESCRIPTION:	DATE
1.0	First	2011-12-13



PIN CONNECTION

NO	SYMBOL
1	VSS
2	VDD
3	SI
4	SCL
5	CSB
6	RS
7	RST
8	LED+



****Notes: Display sold separately**

Model Name: NHD-PCB0216CZ			
GENERAL TOL: ± 0.3			
APPROVALS	DATE	DRAWN NO.	SCALE:
DWN:			
CHK:		SIZE: A4	UNIT: mm
APP:			Page: