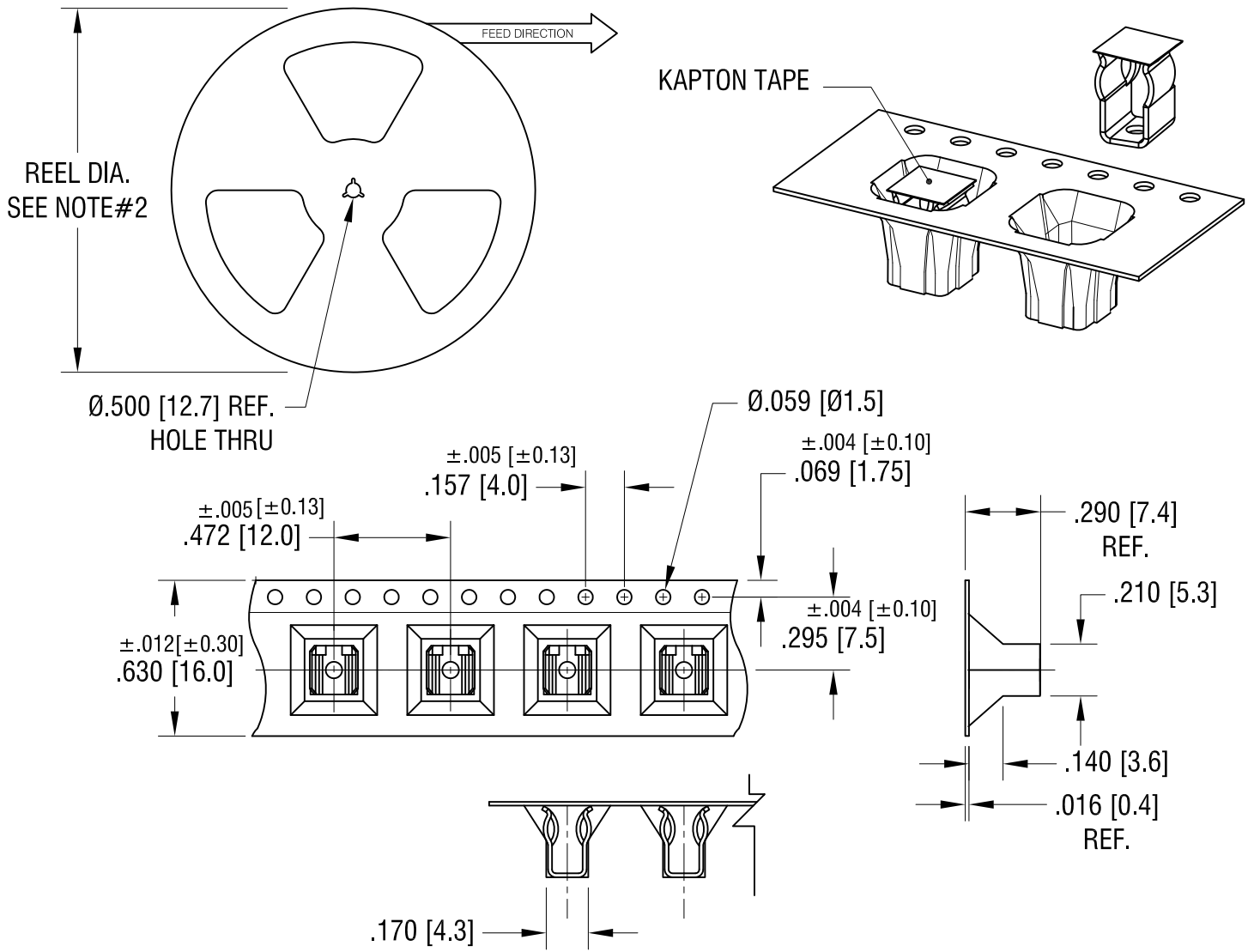


THIS DOCUMENT IS THE PROPERTY OF KEYSTONE ELECTRONICS CORP. AND SHALL NOT BE REPRODUCED, DISTRIBUTED OR USED AS A BASIS FOR MANUFACTURE WITHOUT PRIOR WRITTEN PERMISSION FROM KEYSTONE ELECTRONICS CORP.



NOTES:

TAPE AND REEL SPECIFICATIONS:

- 1. TAPE:
MAT'L - ALL CONDUCTIVE POLYSTYRENE CARRIER
ANSI/EIA-481 STANDARD
.630 [16.0] WIDE; .472 [12.0] PITCH

- 2. REEL:
13.0 [330.2] DIA. 600 PIECES OF
PART NO. 3561 PER REEL.
- 3. KAPTON TAPE TO BE APPLIED TO TOP
SURFACE OF EACH RETAINER FOR VACUUM PICK AND PLACE

11.06.18	KAPTON TAPE WAS ROUND SHAPE CHANGE AS PER ECN 18-046	C
8.27.18	ADD POCKET DETAILS CHANGE AS PER ECN 18-031	B
1.11.17	ECN17-006 WAS 700 PCS PER REEL	A
DATE	DESCRIPTION	REV.

KEYSTONE ELECTRONICS CORP.			
www.keyelco.com • NEW HYDE PARK, NY 11040 • Tel (516) 328-7500			
PART NAME 2AG/5mm SURFACE MOUNT FUSE, ON TAPE			
MATERIAL AS NOTED			
FINISH AS NOTED		DRN BY NT	DATE 11.30.16
		APP'D RH	SCALE X
TOLERANCES	INCH [MM]	CODE	DWG NO.
DECIMAL	± .015 [± 0.38]	C	3561KTR
ANGULAR	± 1°		
UNLESS OTHERWISE SPECIFIED			