

PRODUCT DESCRIPTION CODE :

10131931-YXXXLF

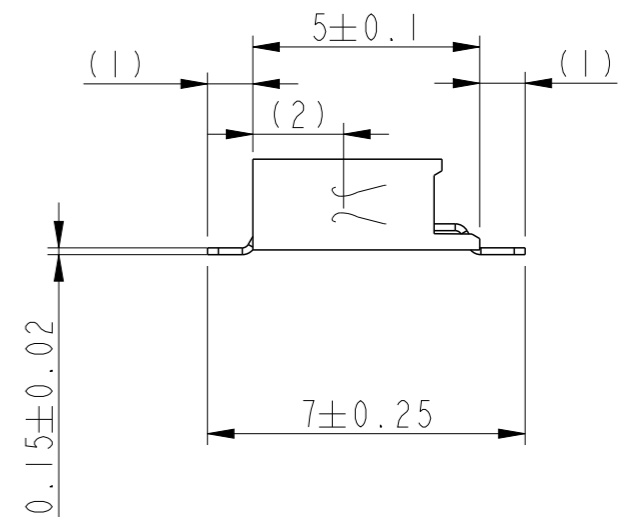
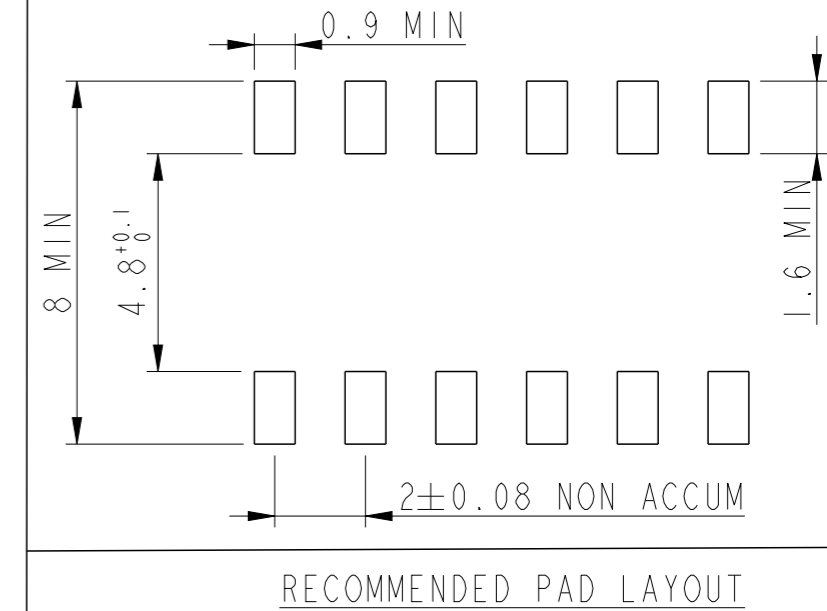
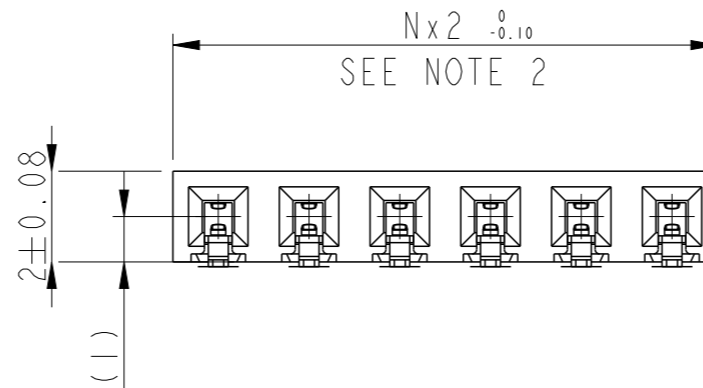
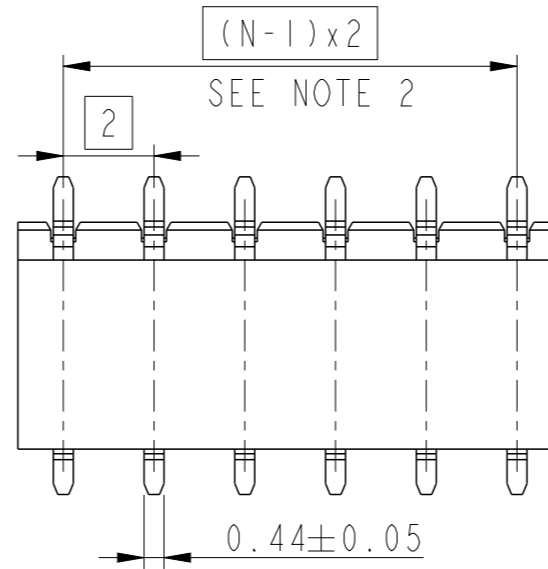
PLATING :

- 1 = 0.76 μm GOLD ON CONTACT AREA
2.54μm MIN MATTE TIN ON TAIL
- 2 = 0.38μm GOLD ON CONTACT AREA
2.54μm MIN MATTE TIN ON TAIL
- 3 = 0.20μm GOLD ON CONTACT AREA
2.54μm MIN MATTE TIN ON TAIL
- 4 = 0.76 μm GXT ON CONTACT AREA
2.54μm MIN MATTE TIN ON TAIL
- 5 = 0.38μm GXT ON CONTACT AREA
2.54μm MIN MATTE TIN ON TAIL
- 6 = 0.20μm GXT ON CONTACT AREA
2.54μm MIN MATTE TIN ON TAIL
- 9 = 2.54μm MIN MATTE TIN FULL PLATED
1.27μm NICKEL MIN UNDERLAYER

RoHS COMPATIBLE, SEE NOTE 3
 PACKAGING : "A" : TAPE & REEL
 "U" : TUBE
 TOTAL NUMBER OF POSITIONS 02 TO 25

NOTES :

- 1- MATERIAL
 HOUSING : HIGH TEMPERATURE GLASS FILLED FLAME
 RETARDANT PER UL 94 V-0
 TERMINAL: COPPER ALLOY
- 2- TO DETERMINE DIMENSIONS :
 N = NUMBER OF POSITIONS PER ROW
 EXAMPLE : 8 POS N x 2 = 16mm
 UP TO N = 12 TOLERANCE : 0
 FROM N = 13 TOLERANCE : 0.05
 -0.10
- 3 - RoHS COMPATIBLE PRODUCT SPECIFICATIONS
 a - PLATING :
 "LF" MEANS THE PRODUCT IS LEAD-FREE, 2μm MINIMUM MATTE
 TIN OVER 1.27μm MINIMUM NICKEL UNDERPLATE
 b - MANUFACTURING PROCESS COMPATIBILITY
 THE HOUSING WILL WITHSTAND EXPOSURE TO 260°C PEAK
 TEMPERATURE FOR 30 SECONDS MAX IN A CONVECTION, INFRA-RED
 OR VAPOR PHASE OR REFLOW OVEN
 c - LABELLING :
 MEETS PACKAGING SPECS AS PER GS-14-920
 d - LEGAL STATEMENT : SEE GS-47-0004



PRELIMINARY

spec ref	GS-12-1326	dr	Cyril Jeune	2014/12/02	projection	mm	size	A3	scale	6:1
tolerance std	ISO 406 ISO 1101	eng	Cyril Jeune	2015/11/18			ecn no	rel level	Preliminary	rev
surface	linear	chr	-	-						
	angular	appr	-	-	MINITEK RECEPTACLE 2MM	dwg no	10131931	2		
					ASSEMBLY HCC SR SMT	cat. no.	-	Product - Customer Drw	sheet 1 of 1	



Copyright FCI.

Mouser Electronics

Authorized Distributor

Click to View Pricing, Inventory, Delivery & Lifecycle Information:

FCI / Amphenol:

[10131931-224ULF](#) [10131931-910ULF](#) [10131931-107ULF](#) [10131931-917ULF](#) [10131931-909ULF](#) [10131931-921ULF](#) [10131931-911ULF](#) [10131931-108ULF](#) [10131931-907ULF](#) [10131931-109ULF](#) [10131931-903ULF](#) [10131931-214ULF](#) [10131931-112ULF](#) [10131931-206ULF](#) [10131931-211ULF](#) [10131931-305ULF](#) [10131931-221ULF](#) [10131931-314ULF](#) [10131931-308ULF](#) [10131931-913ULF](#) [10131931-123ULF](#) [10131931-217ULF](#) [10131931-212ULF](#) [10131931-920ULF](#) [10131931-919ULF](#) [10131931-908ULF](#) [10131931-115ULF](#) [10131931-121ULF](#) [10131931-324ULF](#) [10131931-918ULF](#) [10131931-320ULF](#) [10131931-905ULF](#) [10131931-114ULF](#) [10131931-923ULF](#) [10131931-303ULF](#) [10131931-323ULF](#) [10131931-319ULF](#) [10131931-922ULF](#) [10131931-103ULF](#) [10131931-104ULF](#) [10131931-912ULF](#) [10131931-119ULF](#) [10131931-110ULF](#) [10131931-302ULF](#) [10131931-106ULF](#) [10131931-321ULF](#) [10131931-117ULF](#) [10131931-124ULF](#) [10131931-316ULF](#) [10131931-315ULF](#) [10131931-105ULF](#) [10131931-313ULF](#) [10131931-914ULF](#) [10131931-223ULF](#) [10131931-310ULF](#) [10131931-116ULF](#) [10131931-102ULF](#) [10131931-325ULF](#) [10131931-205ULF](#) [10131931-916ULF](#) [10131931-309ULF](#) [10131931-120ULF](#) [10131931-311ULF](#) [10131931-219ULF](#) [10131931-902ULF](#) [10131931-220ULF](#) [10131931-906ULF](#) [10131931-317ULF](#) [10131931-208ULF](#) [10131931-318ULF](#) [10131931-215ULF](#) [10131931-304ULF](#) [10131931-218ULF](#) [10131931-306ULF](#) [10131931-210ULF](#) [10131931-915ULF](#) [10131931-113ULF](#) [10131931-209ULF](#) [10131931-207ULF](#) [10131931-904ULF](#) [10131931-924ULF](#) [10131931-213ULF](#) [10131931-125ULF](#) [10131931-118ULF](#) [10131931-204ULF](#) [10131931-225ULF](#) [10131931-203ULF](#) [10131931-216ULF](#) [10131931-925ULF](#) [10131931-202ULF](#) [10131931-122ULF](#) [10131931-322ULF](#) [10131931-312ULF](#) [10131931-222ULF](#) [10131931-111ULF](#) [10131931-307ULF](#)