

DIMENSIONS IN INCHES (MILLIMETERS)  
DO NOT SCALE DRAWING .....

Dwg. No.

CWR-217-XX-0000

**NOTES:**

1. Dimensions are in inches; dimensions in ( ) are in millimeters.
2. Metric equivalents are given for general information only, and are based upon 1.00 inches equals (25.4) millimeters.
3. Unless otherwise specified, tolerance are  $\pm 0.005$  ( $\pm 0.13$ ) for three place decimals, and  $\pm 0.01$  ( $\pm 0.3$ ) for two place decimals.
4. Polarization rib slot (RS-2) omitted in size 10 and 14 connectors.

**MATERIALS:**

PLASTIC PARTS - UL94V-0 Flame Retardant Thermoplastic.  
COLOR - Blue.

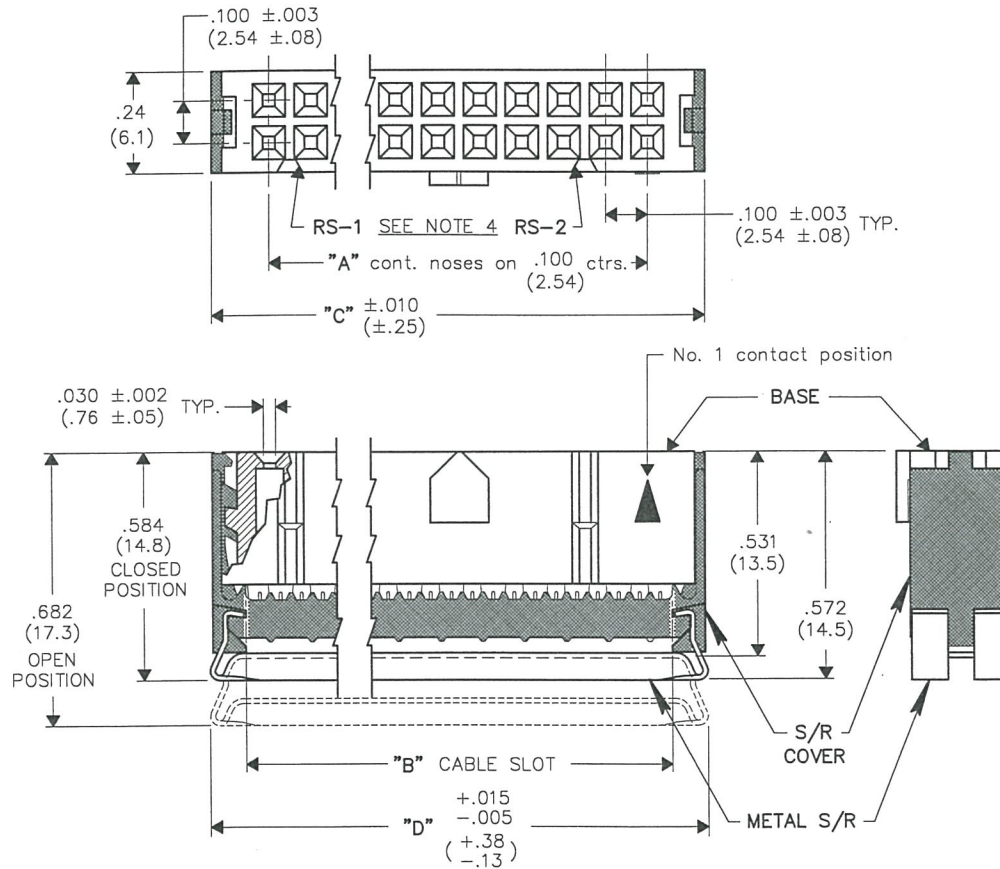
CONTACTS - Phosphor Bronze Standard.  
CONTACT PLATING - .000010 Gold over .000050 Nickel, Standard.

STRAIN RELIEF COVER - Plastic coated (blue) no. 301 Stainless Steel.

**OPERATING STANDARDS:**

TEMPERATURE RATING - 125°C.  
CONTACT RATING - 1 ampere.  
DIELECTRIC STRENGTH - Over 500 v.d.c. at sea level.  
CONDUCTORS ACCEPTED - 28-30 AWG solid or stranded.

CONNECTOR DIMENSIONS				
XX CONTS.	A	B	C	D
10	.400 (10.16)	.515 (13.08)	.677 (17.20)	.690 (17.53)
14	.600 (15.24)	.715 (18.16)	.877 (22.28)	.890 (22.61)
16	.700 (17.78)	.815 (20.70)	.977 (24.82)	.990 (25.15)
20	.900 (22.86)	1.015 (25.78)	1.177 (29.90)	1.190 (30.23)
26	1.200 (30.48)	1.315 (33.40)	1.477 (37.52)	1.490 (37.85)
34	1.600 (40.64)	1.715 (43.56)	1.877 (47.68)	1.890 (48.01)
40	1.900 (48.26)	2.015 (51.18)	2.177 (55.30)	2.190 (55.63)
50	2.400 (60.96)	2.515 (63.88)	2.677 (68.00)	2.690 (68.33)
60	2.900 (73.66)	3.015 (76.58)	3.177 (80.70)	3.190 (81.03)



**CUSTOMER DWG.**

FORM-B2

**REVISIONS**

0  
RELEASED: 8-28-96  
DWG SEP 23 1996

**ATTENTION**  
THIS DRAWING AND ITS ATTACHMENTS, IF ANY, ARE PROPRIETARY TO CW INDUSTRIES AND DESCRIBE DESIGNS THAT ARE CONFIDENTIAL AND MUST NOT BE DISCLOSED UNLESS AUTHORIZED, IN WRITING, BY AN OFFICER OF CW INDUSTRIES.....

PDF File Made

**CW INDUSTRIES**  
Southampton, Pa. 18966

TOLERANCES UNLESS OTHERWISE SPECIFIED  
2 Place Decimal  $\pm 0.010$  METRIC  
3 Place Decimal  $\pm 0.005$  1 Place Dec.  $\pm 0.25$ mm  
Angles .....  $\pm 1^\circ$  2 Place Dec.  $\pm 0.13$ mm

Made for: CW IND.  
Drawn by: DGW 8-28-96  
Checked by: G. Guld 9-23-96  
Approval: F. Feinman 9-23-96

Title: SOCKET CONNECTOR  
.100" x .100" CENTERS  
(.050" CENTER FLAT CABLE)  
PLAIN COVER, W/KEYING  
AND STRAIN RELIEF

Division: CONNECTOR  
Dwg. No. CWR-217-XX-0000

**MASTER**

# Mouser Electronics

Authorized Distributor

Click to View Pricing, Inventory, Delivery & Lifecycle Information:

## CW Industries:

[CWR-217-50-0000](#) [CWR-217-10-0000](#) [CWR-217-34-0000](#) [CWR-217-26-0000](#) [CWR-217-20-0000](#) [CWR-217-14-0000](#) [CWR-217-16-0000](#) [CWR-217-60-0000](#) [CWR-217-40-0000](#)