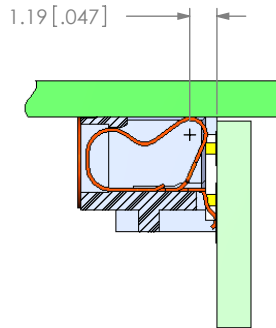
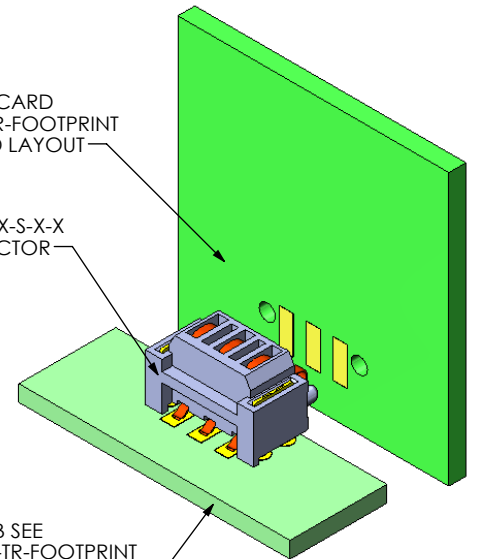


MATING VIEW

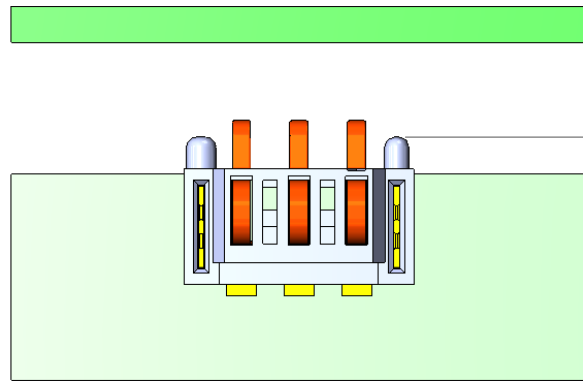


CUSTOMER MATING CARD  
SEE SIR1-XX-X-S-X-X-TR-FOOTPRINT  
FOR RECOMMENDED LAYOUT

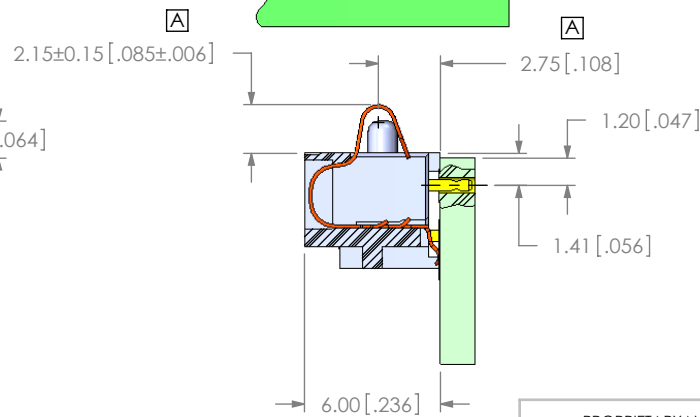
SIR1-XX-X-S-X-X  
CONNECTOR



CUSTOMER PCB SEE  
SIR1-XX-X-S-X-X-TR-FOOTPRINT  
FOR RECOMMENDED LAYOUT



UNMATING VIEW



**PROPRIETARY NOTE**  
THIS DOCUMENT CONTAINS INFORMATION  
CONFIDENTIAL AND PROPRIETARY TO  
SAMTEC, INC. AND SHALL NOT BE REPRODUCED  
OR TRANSFERRED TO OTHER DOCUMENTS OR  
DISCLOSED TO OTHERS OR USED FOR ANY  
PURPOSE OTHER THAN THAT WHICH IT WAS  
OBTAINED WITHOUT THE EXPRESSED WRITTEN  
CONSENT OF SAMTEC, INC.

DO NOT SCALE DRAWING

SHEET SCALE: 2:1

**samtec**

520 PARK EAST BLVD, NEW ALBANY, IN 47150  
PHONE: 812-944-6733 FAX: 812-948-5047  
e-Mail info@SAMTEC.com code 55322

DESCRIPTION: SIR1 MATED VIEWS

DWG. NO. SIR1 APPLICATION

BY: ROY LUO 12/29/2010 SHEET 1 OF 1