

Actuator

61-
3440.4/1



<https://eao.com/p/61-3440.4/1>

Your product:



61-3440.4/1 Actuator

MOUNTING

Mounting type: Panel mounting

OPERATING-/INDICATION PART

Lens illumination: non illuminative

Lens colour: Red

Lens shape: mushroom-head

Lens material: Plastic

Lens optics: opaque

MECHANICAL CHARACTERISTIC

Weight: 0.02 kg

Switching action: Maintained

Tightening torque: Max. 0.5 Nm

AMBIENT CONDITION

Operating temperature: - 25 °C ... + 55 °C

OTHER

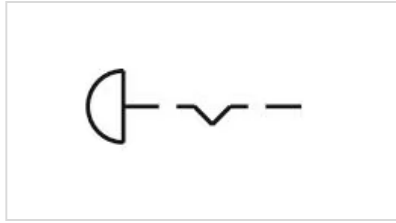
Marking: Arrows

Housing colour: Yellow

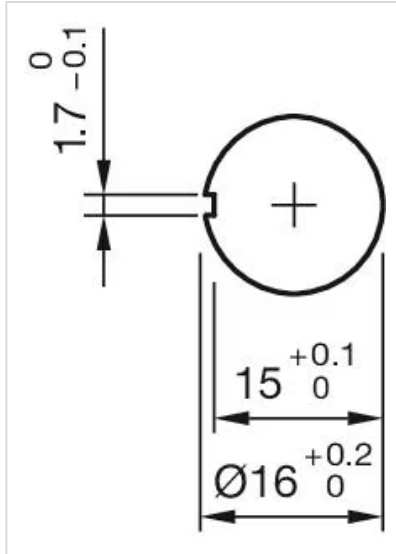
Housing material: Plastic

Short Description: Actuator, mushroom-head, non illuminative, Red, Plastic, opaque, Maintained

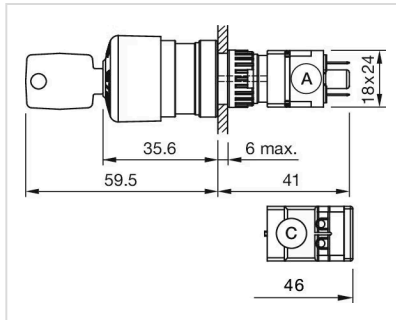
Wiring diagrams:



Mounting cut-outs:



Dimension drawings:



A = Plug-in terminal 2.8 mm x 0.5 mm
C = Screw terminal