

100495-2 ✓ ACTIVE

FASTON | FASTON 250

TE Internal #: 100495-2

Receptacle, 16 – 20 AWG Wire Size, .5 – 1.5 mm² Wire Size, Mating
Tab Width 6.35 mm [.25 in], Straight, Brass, FASTON 250, Quick
Disconnects

[View on TE.com >](#)



Terminals & Splices > Quick Disconnects



Quick Disconnect Terminal Type: **Receptacle**

Wire Size: .5 – 1.5 mm²

Mating Tab Width: 6.35 mm [.25 in]

Mating Tab Thickness: .81 mm [.032 in]

Features

Product Type Features

Insertion Force	Low
-----------------	-----

Configuration Features

Connection Capacity	Single
Compatible With Wire & Cable Type	Discrete Wire

Contact Features

Quick Disconnect Terminal Type	Receptacle
Mating Tab Width	6.35 mm [.25 in]
Mating Tab Thickness	.81 mm [.032 in]
Terminal Orientation	Straight
Contact Base Material	Brass
Terminal Plating Material	Tin
Crimp Type	F-Crimp
Barrel Type	Open

Termination Features

--	--



Product Terminates To	Wire & Cable
-----------------------	--------------

Mechanical Attachment

Wire Insulation Support	With
Mating Retention Type	Dimple

Dimensions

Terminal Material Thickness	.41 mm[.016 in]
Product Length	19.1 mm[.752 in]
Compatible Insulation Diameter Range	2.3 – 3.3 mm[.09 – .13 in]
Wire Size	.5 – 1.5 mm ²

Usage Conditions

Insulation Option	Uninsulated
Operating Temperature Range	-40 – 110 °C[-40 – 230 °F]

Industry Standards

Compatible With Agency/Standards Products	CSA, UL
---	---------

Packaging Features

Packaging Quantity	6000
Packaging Method	Strip/Reel

Product Compliance

[For compliance documentation, visit the product page on TE.com>](#)

EU RoHS Directive 2011/65/EU	Compliant
EU ELV Directive 2000/53/EC	Compliant
China RoHS 2 Directive MIIT Order No 32, 2016	No Restricted Materials Above Threshold
EU REACH Regulation (EC) No. 1907/2006	Current ECHA Candidate List: JUNE 2024 (241) Candidate List Declared Against: JUNE 2024 (241) Does not contain REACH SVHC
Halogen Content	Low Halogen - Br, Cl, F, I < 900 ppm per homogenous material. Also BFR/CFR/PVC Free
Solder Process Capability	Not applicable for solder process capability

Product Compliance Disclaimer

This information is provided based on reasonable inquiry of our suppliers and represents our current actual knowledge based on the information they provided. This information is subject to change. The part numbers that TE has identified as EU RoHS compliant have a maximum concentration of 0.1% by weight in homogenous materials for lead, hexavalent chromium, mercury, PBB, PBDE, DBP, BBP, DEHP, DIBP, and 0.01% for cadmium, or qualify for an exemption to these limits as defined in the Annexes of Directive 2011/65/EU (RoHS2). Finished electrical and electronic equipment products will be CE marked as required by Directive 2011/65/EU. Components may not be CE marked. Additionally, the part numbers that TE has identified as EU ELV compliant have a maximum concentration of 0.1% by weight in homogenous materials for lead, hexavalent chromium, and mercury, and 0.01% for cadmium, or qualify for an exemption to these limits as defined in the Annexes of Directive 2000/53/EC (ELV). Regarding the REACH Regulation, the information TE provides on SVHC in articles for this part number is based on the latest European Chemicals Agency (ECHA) 'Guidance on requirements for substances in articles' posted at this URL: <https://echa.europa.eu/guidance-documents/guidance-on-reach>

Compatible Parts



TE Part # 737439-2
250 FASTON REC 22-18 AWG TPBR



TE Part # 2376595-2
250 FASTON PCB TAB TPBR



TE Part # 190735-7
250 FASTON,FLAG,REC.,20-16 AWG, PTBR



TE Part # 2150082-1
OCEAN_2.0_APPLICATOR-E-090F130F-REM



TE Part # 2150082-2
OCEAN_2.0_APPLICATOR-E-090F130FA-REA




KIT
TE Part # 7-2150082-7
OCEAN_2.0_SPARE_PART_KIT-090F130F
REPRESENTATION ONLY

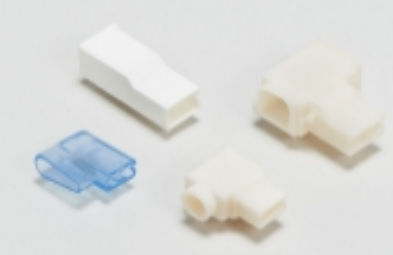


TE Part # 737439-3
250 FASTON REC 22-18 AWG TPBR


Also in the Series | FASTON 250



Compression Connectors(4)



Crimp Terminal Housings(132)



Insertion & Extraction Tools(6)



Magnet Wire Terminals(1)



PCB Terminals(134)



Quick Disconnects(426)



Splices(4)

Customers Also Bought



TE Part #3-640442-6
06P MTA100 CONN ASSY BLU



TE Part #282618-1
FFC PIN CONTACT TIN-P



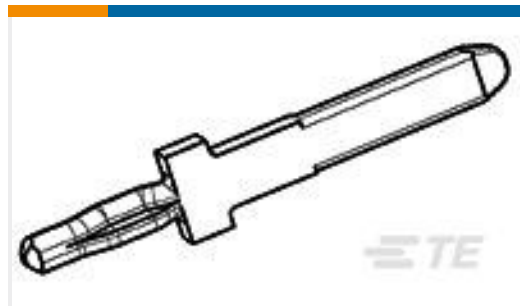
TE Part #1571079-7
PRASD3-16F-BB000=POWER ROCKER



TE Part #280001-9
250 FASTON,REC.,14-17 AWG,TPBR



TE Part #1977831-3
DIP SWITCH GDH06SATR04



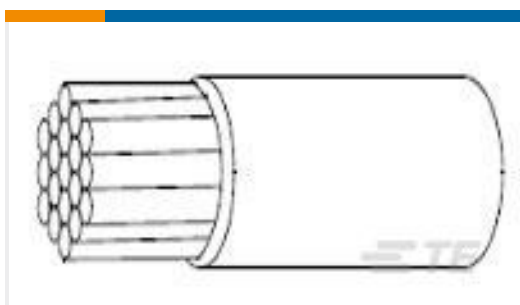
TE Part #368405-2
ACTION PIN FOR 040 TAB



TE Part #927157-1
4P MT-EDGE GEH



TE Part #694681-000
CWT-3807-W2



TE Part #E957233001
55/9961-26-9/9(LAT3)

Documents

Product Drawings

[250 FASTON,LIF REC.,16-20 AWG,TPBR](#)

English

CAD Files

[Customer View Model](#)

[ENG_CVM_CVM_100495-2_D.2d_dxf.zip](#)

English

[3D PDF](#)



3D

Customer View Model

[ENG_CVM_CVM_100495-2_D.3d_igs.zip](#)

English

Customer View Model

[ENG_CVM_CVM_100495-2_D.3d_stp.zip](#)

English

By downloading the CAD file I accept and agree to the [Terms and Conditions](#) of use.

Datasheets & Catalog Pages

[1654742_HOUSEHOLD_APPLIANCES_RAST5](#)

English

Product Specifications

[L.I.F. FASTON .250 rec. Low Insertion Force](#)

English

[Product Specification](#)

English

Agency Approvals

[UL Report](#)

English