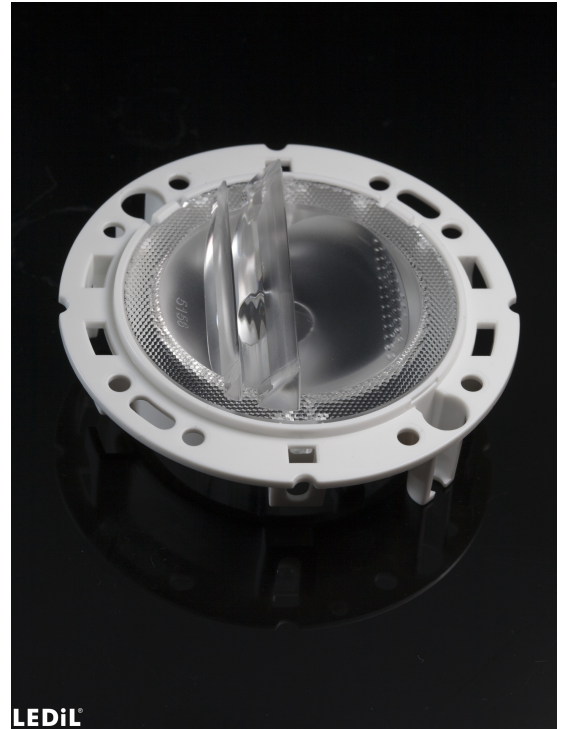


RONDA-WAS-B

Asymmetric beam for wall washing with holder B compatible with 3rd party connectors from BJB, IDEAL and Stucchi

SPECIFICATION:

Dimensions	Ø 69.9 mm
Height	22.3 mm
Fastening	screw
ROHS compliant	yes ⓘ



MATERIALS:

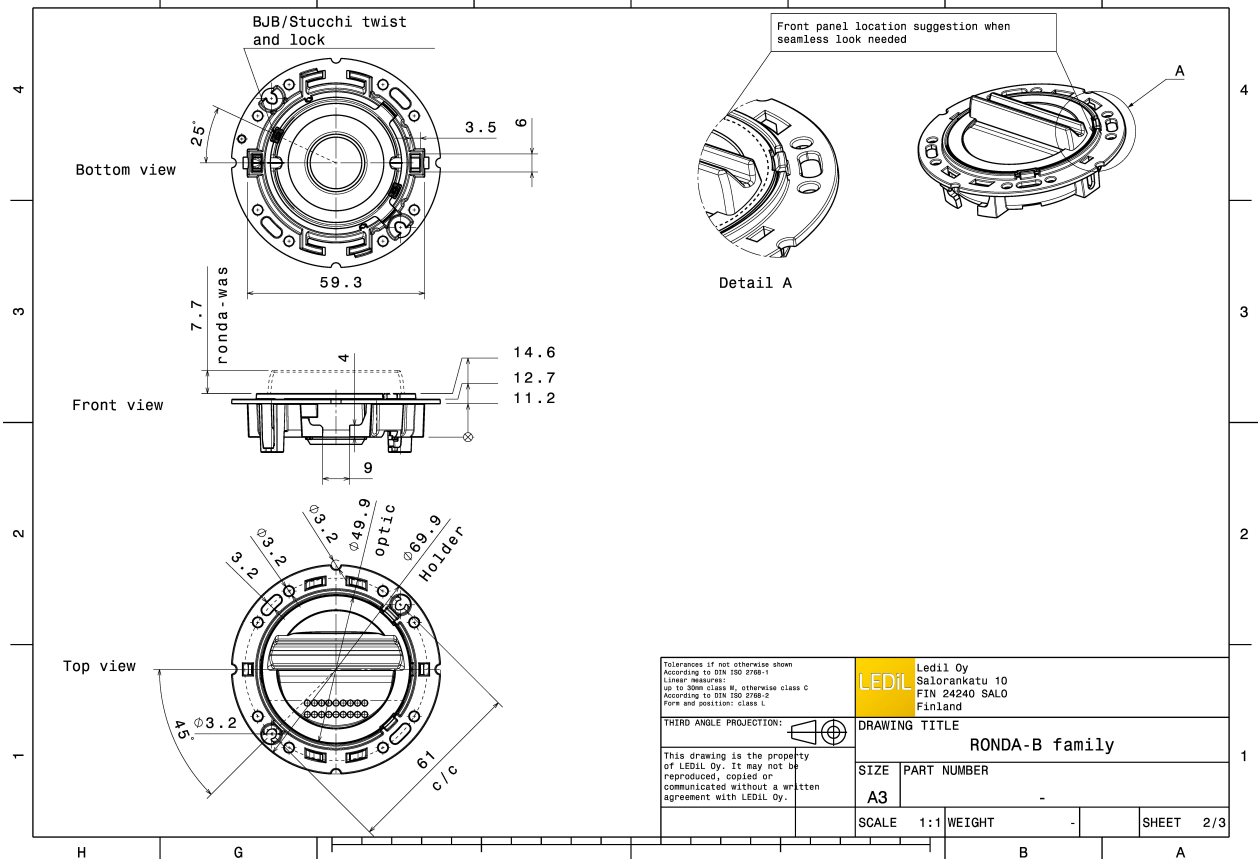
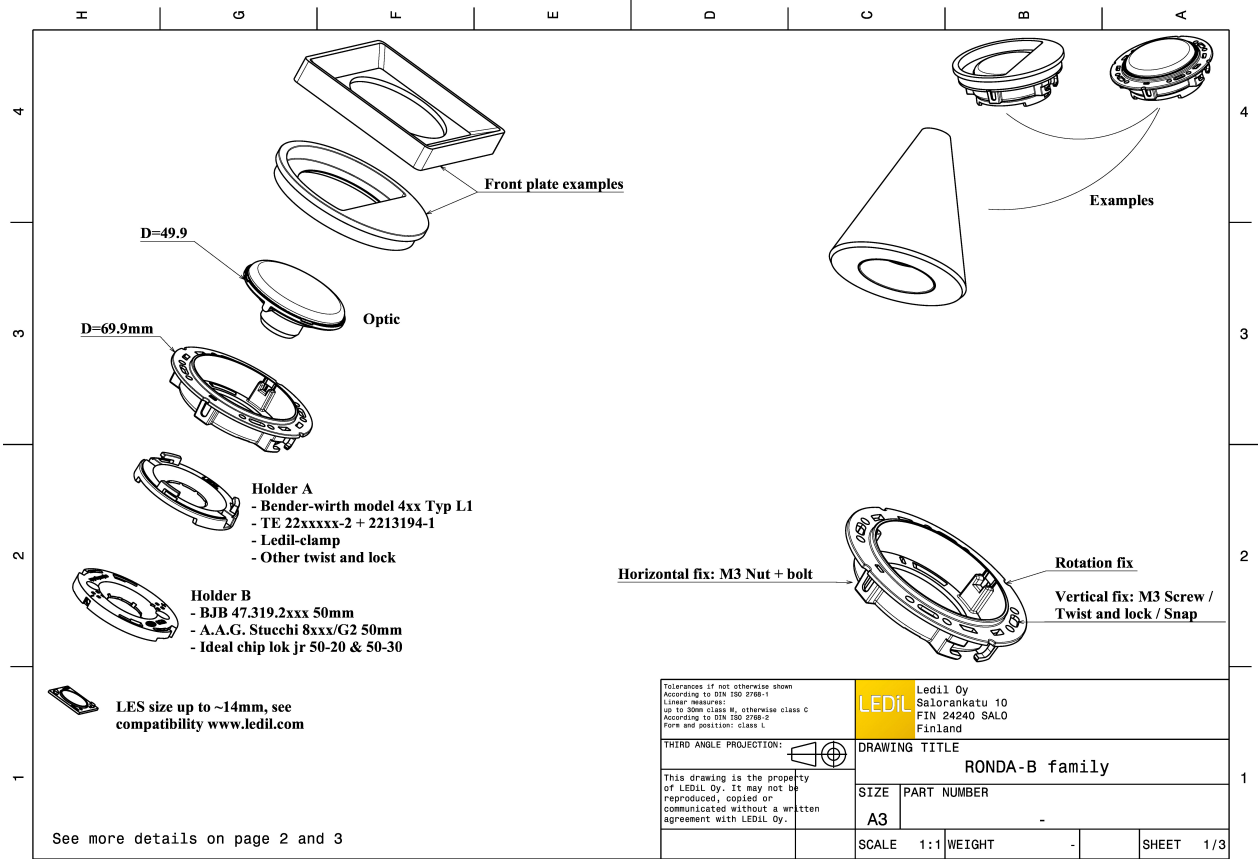
Component	Type	Material	Colour	Finish	Length
F15156_RONDA-WAS	Single lens	PMMA	clear		49.9
F15586_RONDA-HLD-B	Holder	PC	white		69.9

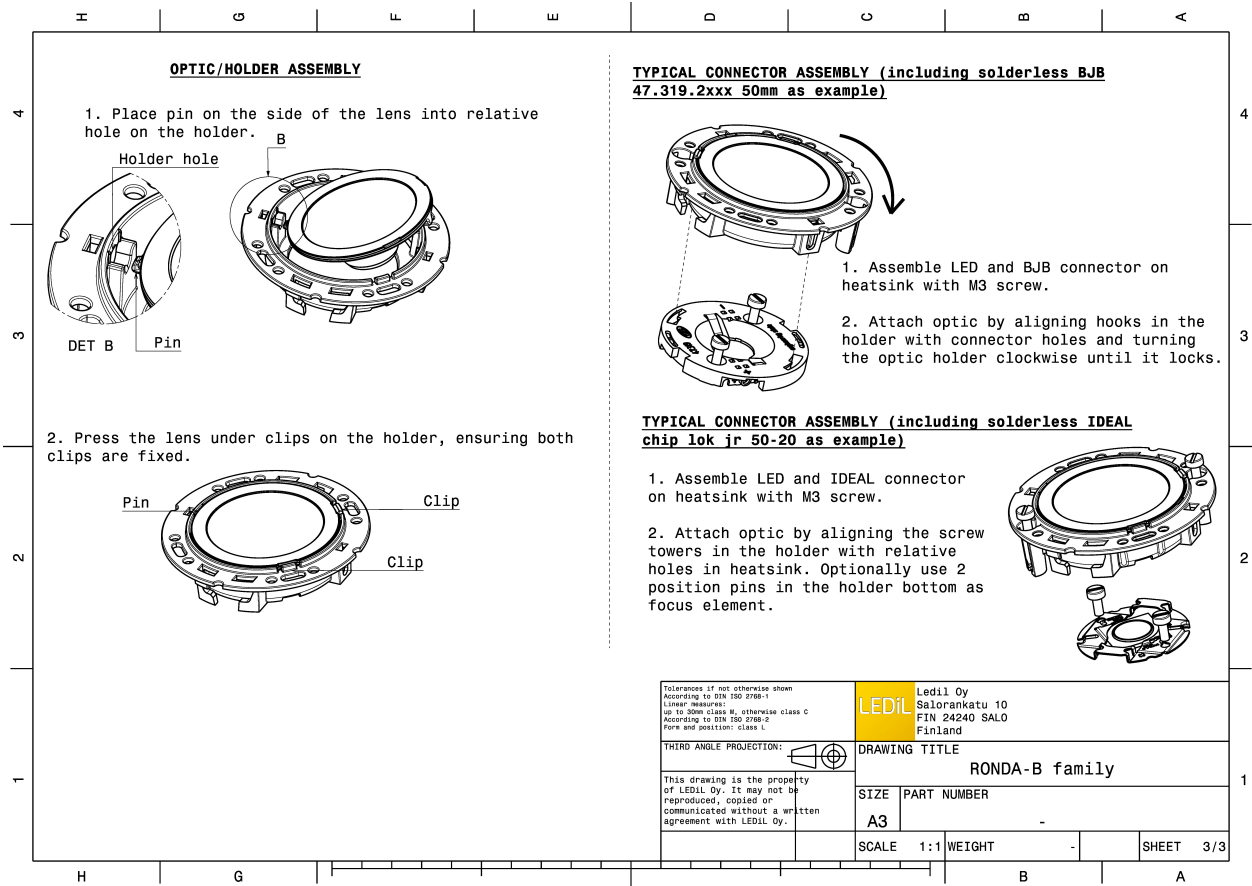
ORDERING INFORMATION:

Quantities for one set:

Single lens	1
Holder	1

Component		Qty in box	MOQ	MPQ	Box weight (kg)
F15156_RONDA-WAS	Single lens	420	120	30	7.3
» Box size: 480 x 280 x 300 mm					
F15586_RONDA-HLD-B	Holder	420	120	30	4.4
» Box size: 480 x 280 x 300 mm					



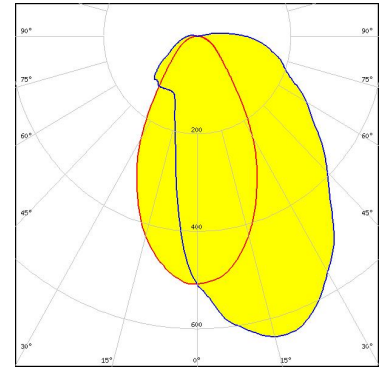


See also our general installation guide: www.ledil.com/installation_guide

OPTICAL RESULTS (MEASURED):



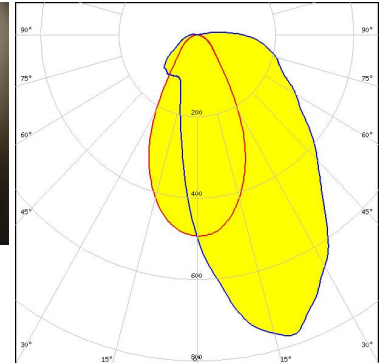
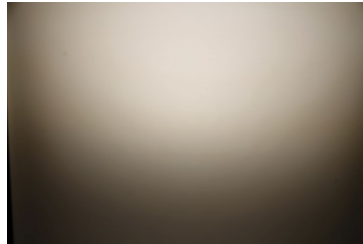
LED V13 Gen7
FWHM / FWTM Asymmetric
Efficiency 89 %
Peak intensity 0.6 cd/lm
LEDs/each optic 1
Light colour/type White
Required components:
BJB: 47.319.2021



Light distribution files



LED CXA/B 1816 & CXA/B 1820 & CXA 1850
FWHM / FWTM Asymmetric
Efficiency 91 %
Peak intensity 0.8 cd/lm
LEDs/each optic 1
Light colour/type White
Required components:
BJB: 47.319.2131



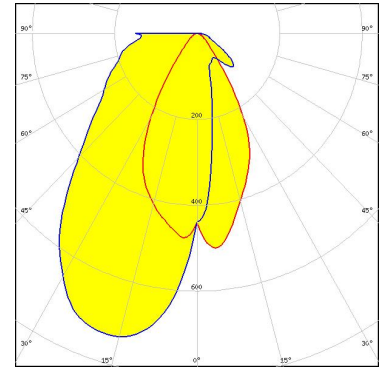
Light distribution files

OPTICAL RESULTS (SIMULATED):



LED H12
 FWHM / FWTM Asymmetric
 Efficiency 81 %
 Peak intensity 0.7 cd/lm
 LEDs/each optic 1
 Light colour/type White
 Required components:

BJB: 47.319.2131

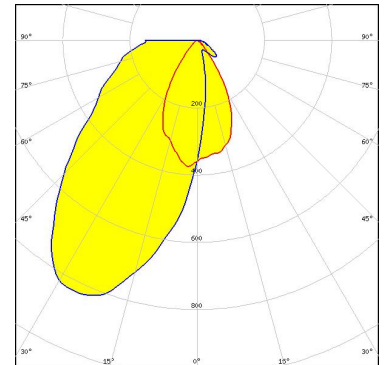


Light distribution files



LED V10 Gen7
 FWHM / FWTM Asymmetric
 Efficiency 84 %
 Peak intensity 0.8 cd/lm
 LEDs/each optic 1
 Light colour/type White
 Required components:

IDEAL: 50-2002CT

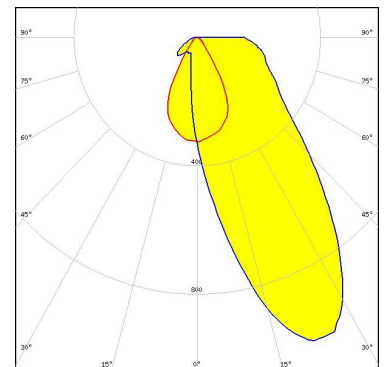


Light distribution files

CITIZEN

LED CLL02x/CLU02x (LES10)
 FWHM / FWTM Asymmetric
 Efficiency 86 %
 Peak intensity 1 cd/lm
 LEDs/each optic 1
 Light colour/type White
 Required components:

IDEAL: 50-2002CT



Light distribution files

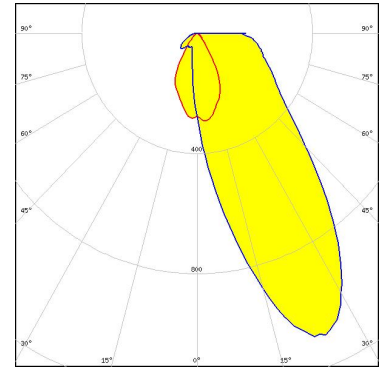
OPTICAL RESULTS (SIMULATED):



LED CXA/B 15xx
FWHM / FWTM Asymmetric
Efficiency 86 %
Peak intensity 1.1 cd/lm
LEDs/each optic 1
Light colour/type White
Required components:

IDEAL: 50-2001CR

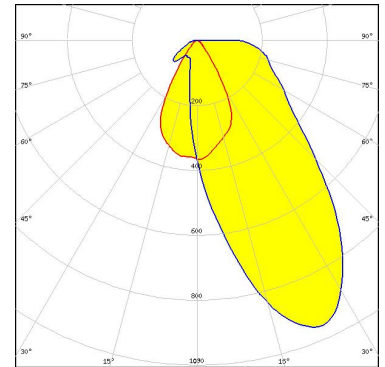
Light distribution files



LED CXA/B 1816 & CXA/B 1820 & CXA 1850
FWHM / FWTM Asymmetric
Efficiency 86 %
Peak intensity 0.9 cd/lm
LEDs/each optic 1
Light colour/type White
Required components:

IDEAL: 50-3001CR

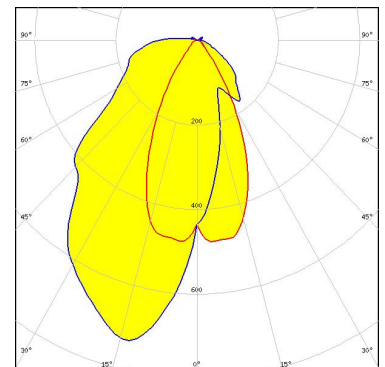
Light distribution files



LED LUXEON CoB 1204/1205
FWHM / FWTM Asymmetric
Efficiency 81 %
Peak intensity 0.7 cd/lm
LEDs/each optic 1
Light colour/type White
Required components:

BJB: 47.319.2011

Light distribution files



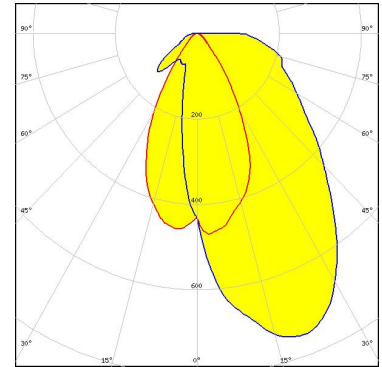
OPTICAL RESULTS (SIMULATED):

OSRAM
Opto Semiconductors

LED Soleriq S13
FWHM / FWTM Asymmetric
Efficiency 82 %
Peak intensity 0.8 cd/lm
LEDs/each optic 1
Light colour/type White
Required components:

BJB: 47.319.6111

Light distribution files

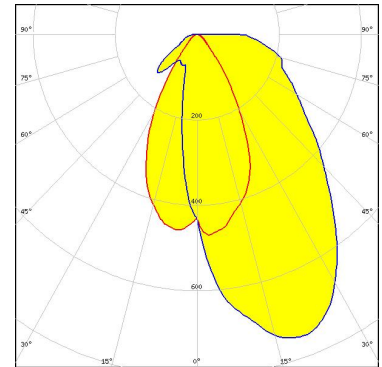


OSRAM
Opto Semiconductors

LED Soleriq S13
FWHM / FWTM Asymmetric
Efficiency 82 %
Peak intensity 0.8 cd/lm
LEDs/each optic 1
Light colour/type White
Required components:

A.A.G. STUCCHI: 8502-G2

Light distribution files



OSRAM
Opto Semiconductors

LED Soleriq S13 19x19
FWHM / FWTM Asymmetric
Efficiency 83 %
Peak intensity 0.8 cd/lm
LEDs/each optic 1
Light colour/type White
Required components:

BJB: 47.319.2021

Light distribution files

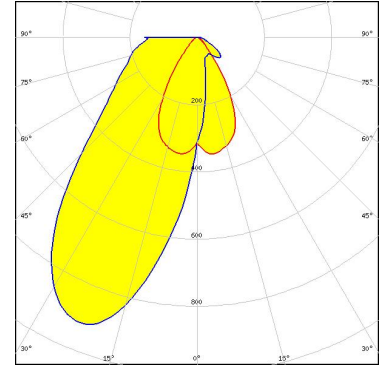
SetPlotAreaWidth(0): X range error = min >= max

OPTICAL RESULTS (SIMULATED):

OSRAM
Opto Semiconductors

LED Soleriq S9
FWHM / FWTM Asymmetric
Efficiency 86 %
Peak intensity 0.9 cd/lm
LEDs/each optic 1
Light colour/type White
Required components:

IDEAL: 50-2002CT

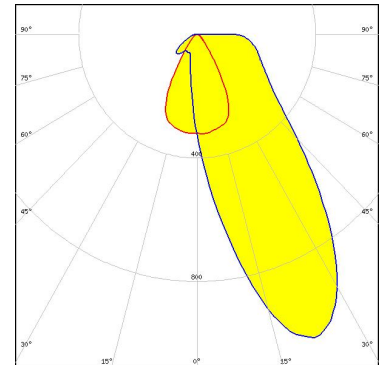


Light distribution files

SHARP

LED Mini Zenigata (GW6BM)
FWHM / FWTM Asymmetric
Efficiency 85 %
Peak intensity 1.1 cd/lm
LEDs/each optic 1
Light colour/type White
Required components:

IDEAL: 50-2000P



Light distribution files

GENERAL INFORMATION:

NOTE: The typical beam angle will be changed by different color, chip size and chip position tolerance. The typical total beam angle is the full angle measured where the luminous intensity is half of the peak value.

Due to use of high power COB's with this product, special attention to proper thermal design is highly recommended. LEDiL has no liability for direct, indirect or consecutive damages arising from the LEDiL products being used outside of the recommended temperature range.

MATERIALS:

As part of our continuous research and improvement processes, and to ensure the best possible quality and availability of our products, LEDiL reserves the right to change material grades without notice.

PRODUCT DATA USER AGREEMENT AND DISCLAIMER:

The measured data in the provided downloadable LEDiL Product Datasheets and Mechanical 2D-Drawings is rounded and provided as reference for planning. LEDiL Oy's optical specifications have been verified by conducting performance testing of the products in accordance with the company's quality system. The reported data are averaged results of multiple measurements with typical variation. LEDiL Oy reserves the right to without prior notification make changes and improvements to its products.

LEDiL Oy assumes neither warranty, nor guarantee nor any other liability of any kind for the contents and correctness of the provided data. The provided data has been generated with highest diligence but the provided data may in reality not represent the complete possible variation range of all intrinsic parameters. Therefore, in certain cases a deviation from the provided data could occur.

LEDiL Oy reserves the right to undertake technical changes of its products without further notification which could lead to changes in the provided data. LEDiL Oy assumes no liability of any kind for the possible deviation from any provided data or any other damage resulting from the usage of the provided data.

The user agrees to this disclaimer and user agreement with the download or usage of the provided files.

LEDiL Oy

Joensuunkatu 13
FI-24240 SALO
Finland

LEDiL Inc.

228 West Page Street
Suite D
Sycamore IL 60178
USA

Ledil Optics Technology (Shenzhen) Co., Ltd.

405 , Block B
Casic Motor Building
Shenzhen 518057
P.R.CHINA

Local sales and technical support

[www.ledil.com/
where_to_buy](http://www.ledil.com/where_to_buy)

Shipping locations

Poznan, Poland
Hong Kong, China

Distribution Partners

[www.ledil.com/
where_to_buy](http://www.ledil.com/where_to_buy)