

**DESIGNED & DIMENSIONED
IN MILLIMETERS[INCHES]**

DO NOT
SCALE FROM
THIS PRINT

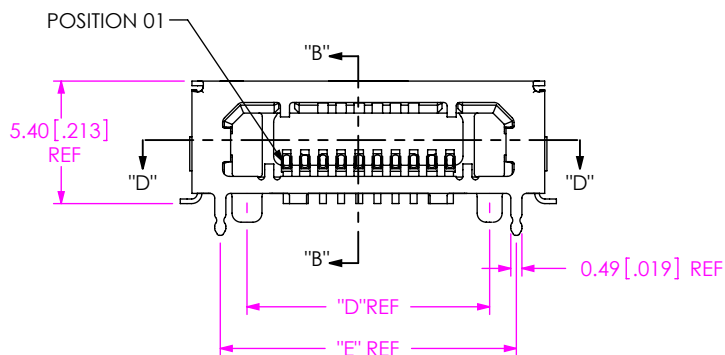
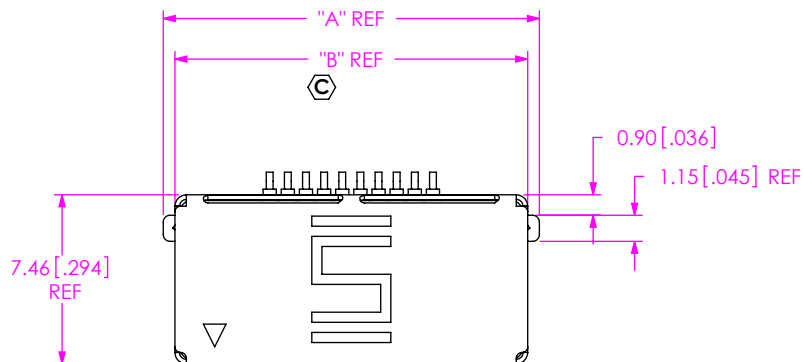


FIG 1
FCS8-10-01-X-S-A SHOWN

FCS8-XX-01-X-S-A-XR

No OF POSITIONS
*-05, -10, *-15, -20
*-25, -30, *-35, *-40

LEAD STYLE
-01

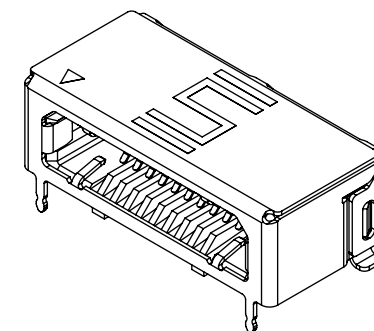
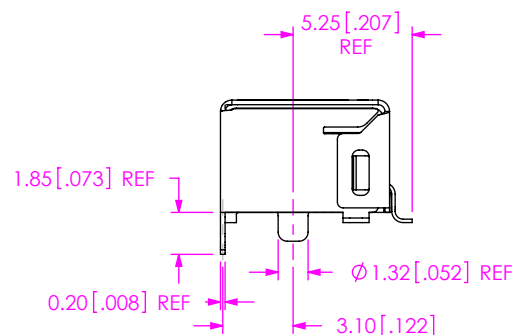
PLATING SPECIFICATION
-L: LIGHT SELECTIVE, .000010
GOLD IN CONTACT AREA
MATTE TIN ON TAILS

TAPE & REEL (SEE NOTES 8 & 9)
-TR: TAPE & REEL
-FR: FULL REEL QTY TAPE & REEL

OPTION
-A: ALIGNMENT PINS

ROW SPECIFICATION
-S: SINGLE ROW

*= NOT TOOLED



POS	"A"	"B"	"C"	"D"	"E"	"F"
-05	12.59 [0.496]	11.56 [0.455]	3.20 [0.126]	6.70 [0.264]	9.06 [0.357]	8.14 [0.320]
-10	16.59 [0.653]	15.56 [0.613]	7.20 [0.283]	10.70 [0.421]	13.06 [0.514]	12.14 [0.478]
-15	20.59 [0.811]	19.56 [0.770]	11.20 [0.441]	14.70 [0.579]	17.06 [0.672]	16.14 [0.635]
-20	24.59 [0.968]	23.56 [0.928]	15.20 [0.598]	18.70 [0.736]	21.06 [0.829]	20.14 [0.793]
-25	28.59 [1.126]	27.56 [1.085]	19.20 [0.756]	22.70 [0.894]	25.06 [0.987]	24.14 [0.950]
-30	32.59 [1.283]	31.56 [1.243]	23.20 [0.913]	26.70 [1.051]	29.06 [1.144]	28.14 [1.108]
-35	36.59 [1.441]	35.56 [1.400]	27.20 [1.071]	30.70 [1.209]	33.06 [1.302]	32.14 [1.265]
-40	40.59 [1.598]	39.56 [1.557]	31.20 [1.228]	34.70 [1.366]	37.06 [1.459]	36.14 [1.423]

NOTES:

1. © REPRESENTS A CRITICAL DIMENSION.
2. COPLANARITY TO BE WITHIN 0.10[.004].
3. MINIMUM PUSHOUT FORCE: 2.22N[.5 LB].
4. MEASURE AT BENDS.
5. SURFACE MOUNT TAILS ON SHIELD TO BE 0.08[.003] ABOVE TO 0.03 [.001] BELOW THE SIGNAL TAILS.
6. NOT RECOMMENDED FOR INVERTED REFLOW SOLDER.
7. NOTE DELETED.
8. -TR/-FR OPTION ORDERS INVOLVING REELS AS WELL AS SOME TRAY PACKAGED ORDERS WILL BE PACKAGED ACCORDING TO THE SAMTEC PACKAGING EFFICIENCY STANDARDS (SPES) FOUND ON WWW.SAMTEC.COM.
9. ATTACH LABEL TO EACH REEL.

UNLESS OTHERWISE SPECIFIED,
DIMENSIONS ARE IN MILLIMETERS.

TOLERANCES ARE:

DECIMALS ANGLES
X.X: ±0.3 [.01] 2°
X.XX: ±0.13 [.005]
X.XXX: ±0.051 [.0020]

PROPRIETARY NOTE

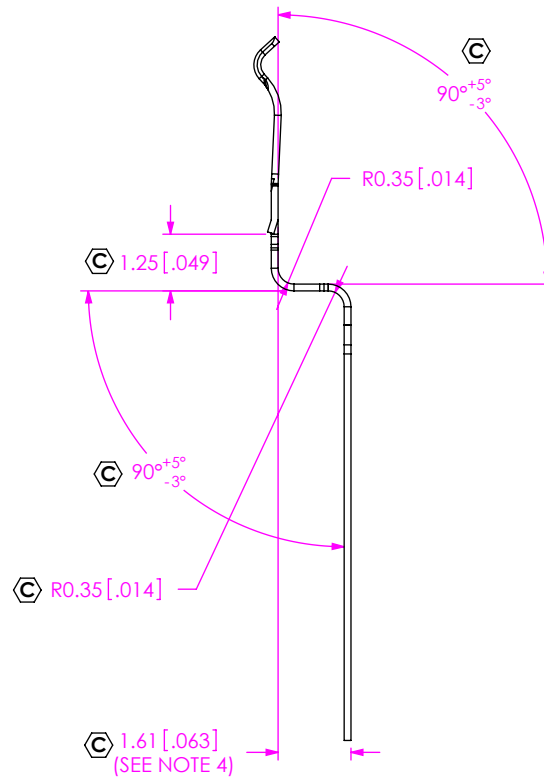
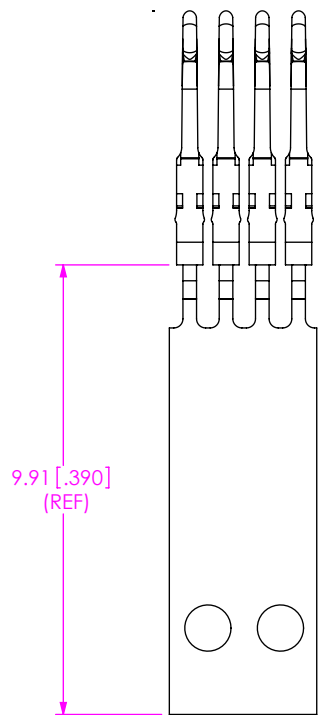
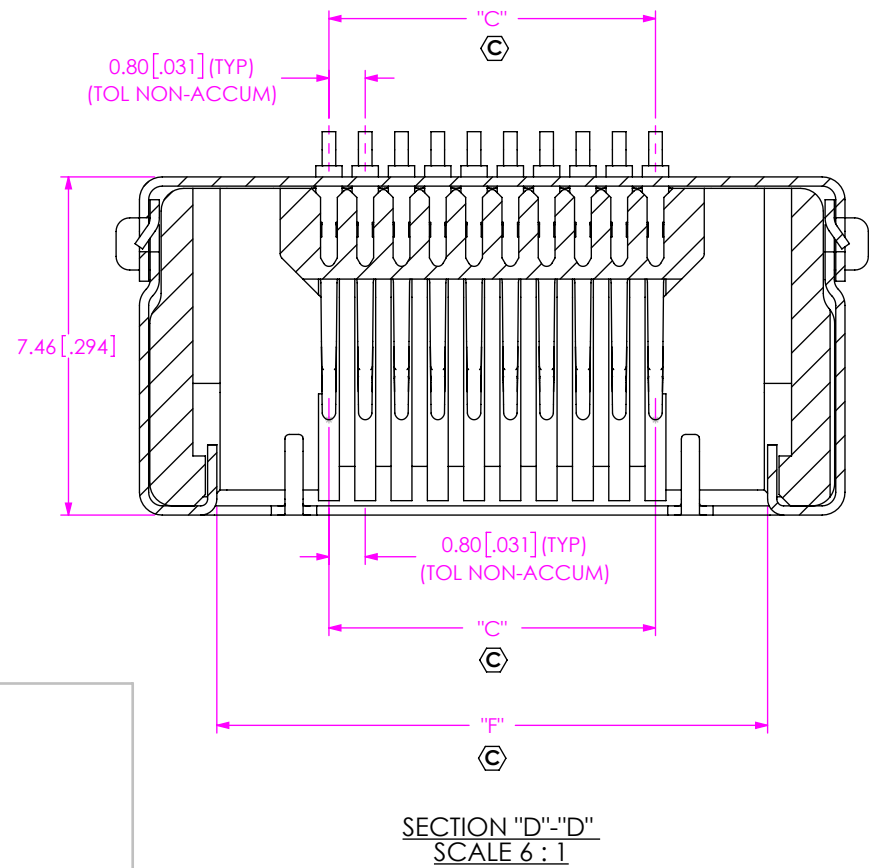
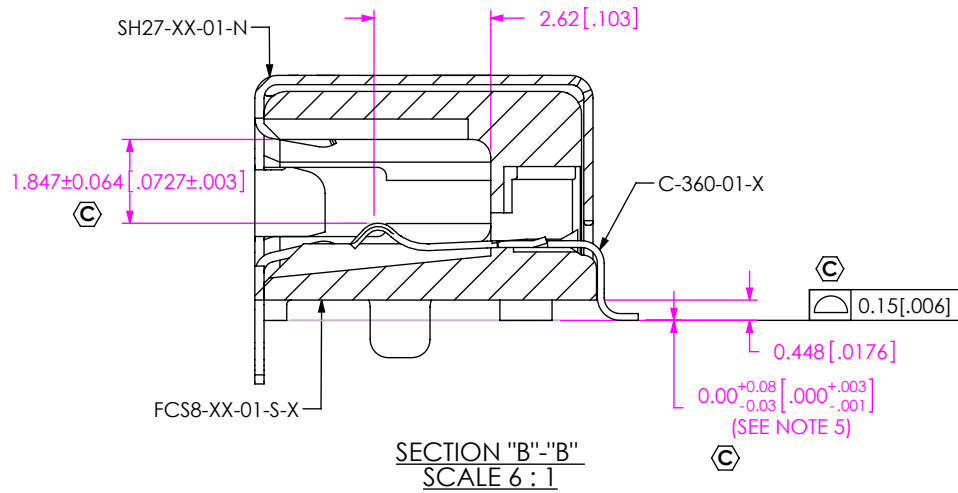
THIS DOCUMENT CONTAINS CONFIDENTIAL AND PROPRIETARY INFORMATION AND ALL DESIGN, MANUFACTURING, REPRODUCTION, USE, PATENT RIGHTS AND SALES RIGHTS ARE EXPRESSLY RESERVED BY SAMTEC, INC. THIS DOCUMENT SHALL NOT BE DISCLOSED, IN WHOLE OR PART, TO ANY UNAUTHORIZED PERSON OR ENTITY NOR REPRODUCED, TRANSFERRED OR INCORPORATED IN ANY OTHER PROJECT IN ANY MANNER WITHOUT THE EXPRESS WRITTEN CONSENT OF SAMTEC, INC.

MATERIAL: DO NOT SCALE DRAWING SHEET SCALE: 3:1
INSULATOR: LCP, UL 94 V0
CONTACT BeCu
SHIELD: PHOS BRONZE



520 PARK EAST BLVD, NEW ALBANY, IN 47150
PHONE: 812-944-6733 FAX: 812-948-5047
e-Mail: info@SAMTEC.com code: 55322

DESCRIPTION:	FCS8 SOCKET ASSEMBLY
DWG. NO.	FCS8-XX-01-X-S-A-XR
BY:	M MURILLO 10/27/2008 SHEET 1 OF 3



IN-PROCESS 1
(FORM CONTACT C-360-01-X)

F:\DWG\MISC\MKTG\FCS8-XX-01-X-S-A-XR-MKT.SLDDRW

PROPRIETARY NOTE
THIS DOCUMENT CONTAINS CONFIDENTIAL AND PROPRIETARY INFORMATION AND ALL DESIGN, MANUFACTURING, REPRODUCTION, USE, PATENT RIGHTS AND SALES RIGHTS ARE EXPRESSLY RESERVED BY SAMTEC, INC. THIS DOCUMENT SHALL NOT BE DISCLOSED, IN WHOLE OR PART, TO ANY UNAUTHORIZED PERSON OR ENTITY NOR REPRODUCED, TRANSFERRED OR INCORPORATED IN ANY OTHER PROJECT IN ANY MANNER WITHOUT THE EXPRESS WRITTEN CONSENT OF SAMTEC, INC.

DO NOT SCALE DRAWING

SHEET SCALE: 3:1

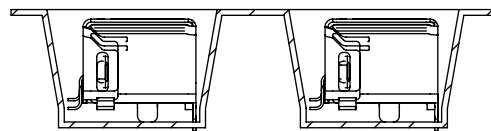
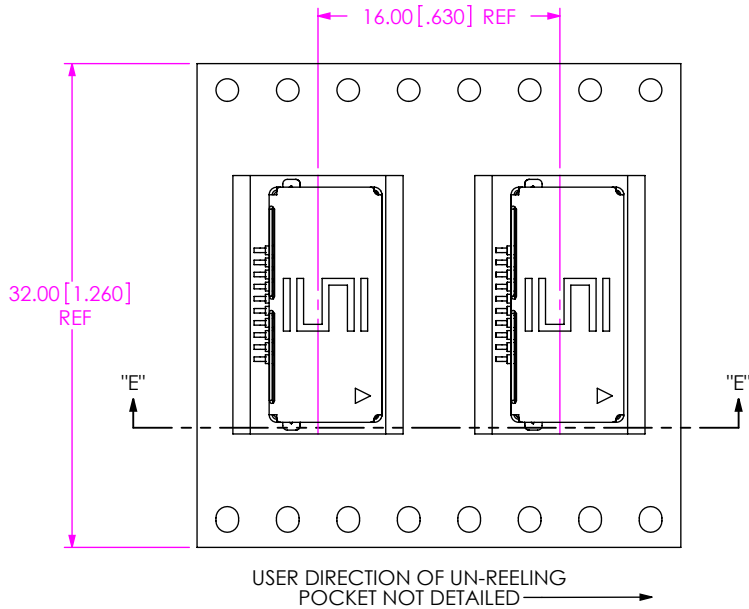
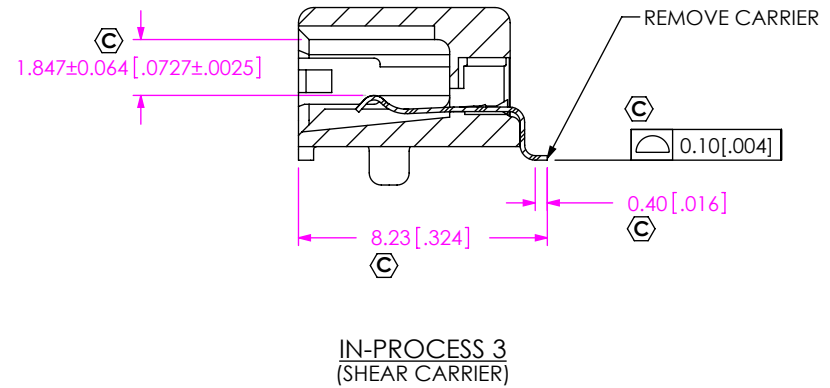
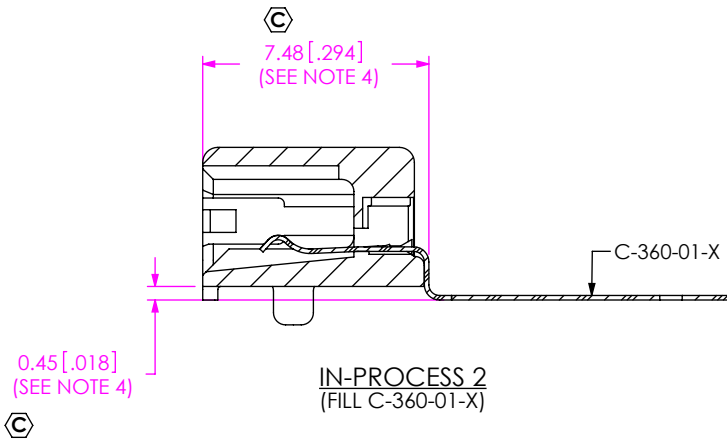
samtec

520 PARK EAST BLVD, NEW ALBANY, IN 47150
PHONE: 812-944-6733 FAX: 812-948-5047
e-Mail: info@SAMTEC.com code: 55322

DESCRIPTION:
FCS8 SOCKET ASSEMBLY

DWG. NO.
FCS8-XX-01-X-S-A-XR

BY: M MURILLO 10/27/2008 SHEET 2 OF 3



SECTION "E"-"E"
SCALE 2 : 1

PACKAGING VIEW

PROPRIETARY NOTE
THIS DOCUMENT CONTAINS CONFIDENTIAL AND PROPRIETARY INFORMATION AND ALL DESIGN, MANUFACTURING, REPRODUCTION, USE, PATENT RIGHTS AND SALES RIGHTS ARE EXPRESSLY RESERVED BY SAMTEC, INC. THIS DOCUMENT SHALL NOT BE DISCLOSED, IN WHOLE OR PART, TO ANY UNAUTHORIZED PERSON OR ENTITY NOR REPRODUCED, TRANSFERRED OR INCORPORATED IN ANY OTHER PROJECT IN ANY MANNER WITHOUT THE EXPRESS WRITTEN CONSENT OF SAMTEC, INC.

DO NOT SCALE DRAWING

SHEET SCALE: 3:1

samtec

520 PARK EAST BLVD, NEW ALBANY, IN 47150
PHONE: 812-944-6733 FAX: 812-948-5047
e-Mail: info@SAMTEC.com code: 55322

DESCRIPTION: FCS8 SOCKET ASSEMBLY

DWG. NO. FCS8-XX-01-X-S-A-XR

BY: M MURILLO 10/27/2008 SHEET 3 OF 3