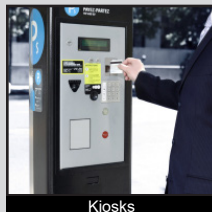
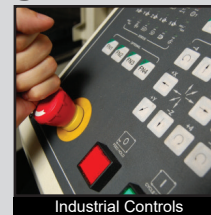


PV0 SERIES ANTI-VANDAL SWITCH

ANTI-VANDAL SWITCHES
DETECTOR SWITCHES
DIP SWITCHES
KEYLOCK SWITCHES
NAVIGATION SWITCHES
PUSHBUTTON SWITCHES
ROCKER SWITCHES
ROTARY SWITCHES
SLIDE SWITCHES
SNAP ACTION SWITCHES
TACTILE SWITCHES
TOGGLE SWITCHES
CAP OPTIONS



APPLICATIONS / MARKETS



RoHS

SPECIFICATIONS

Electrical Rating: 2A, 36VDC
Mechanical Life: 1,000,000 Cycles
Electrical Life: 50,000 Cycles
Contact Resistance: 50mΩ Max.
Insulation Resistance: 1000 MΩ Min.
Dielectric Strength: 2,000VAC
Operating/Storage Temperature: -20°C to 55°C
Travel: 1.50mm
Moisture Protection: IP65
Contact Arrangement: SPST Off-(On)
Actuation Force: 4 N
Panel Thickness: 1-6mm
Mounting Nut Torque: 5-14Nm

FEATURES & BENEFITS

- 12mm panel cutout
- Ring or dot illumination options
- Multiple LED color options
- IP65 rated

PART NUMBER CONFIGURATOR

Series	Actuator Options	Terminal Options	Function Options	Rating Options	Body Finish Options	Actuator Finish Options	Contact Material Options	Lens Style Options	LED-Color Options	Illumination Voltage Options
<input type="text" value="PV0"/>	<input type="text" value="H - High"/>	<input type="text" value="2 - Solder"/>	<input type="text" value="4 - Off - (On)*"/>	<input type="text" value="0 - 2A, 36VDC"/>	<input type="text" value="S - Stainless Steel"/> <input type="text" value="1 - Black Anodized"/>	<input type="text" value="S - Stainless Steel"/> <input type="text" value="1 - Black Anodized"/>	<input type="text" value="NONE - Silver"/>	<input type="text" value="NONE - Non-Illuminated"/> <input type="text" value="2 - Dot Illumination"/> <input type="text" value="3 - Ring Illumination"/>	<input type="text" value="NONE - Non-Illuminated"/> <input type="text" value="0 - White"/> <input type="text" value="1 - Red"/> <input type="text" value="2 - Orange"/> <input type="text" value="3 - Green"/> <input type="text" value="4 - Blue"/> <input type="text" value="5 - Yellow"/>	<input type="text" value="NONE - Non-Illuminated"/> <input type="text" value="1 - Base Voltage†"/>

NOTES:

* (ON) Denotes function is momentary

† Base voltage on LEDs:

1.8V @ 20mA for Red, Yellow and Orange LED colors

2.8V @ 20mA for Blue, Green and White LED colors

Specifications subject to change without notice



E-SWITCH®

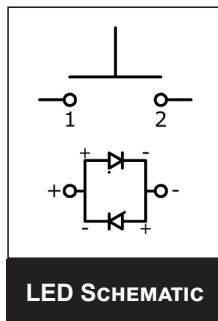
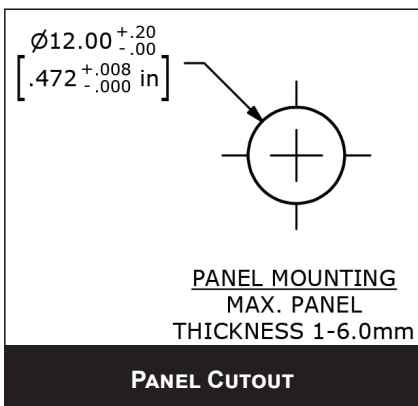
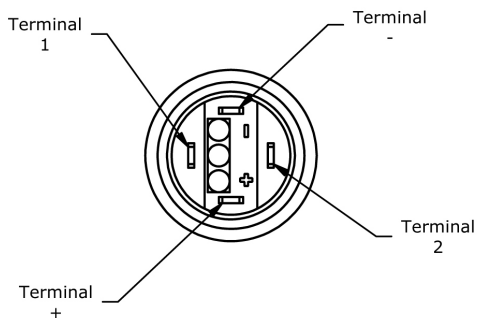
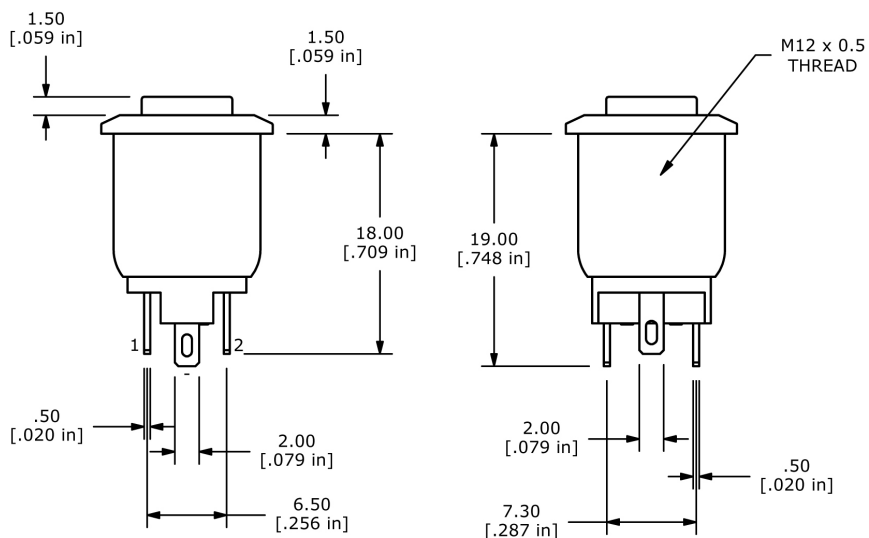
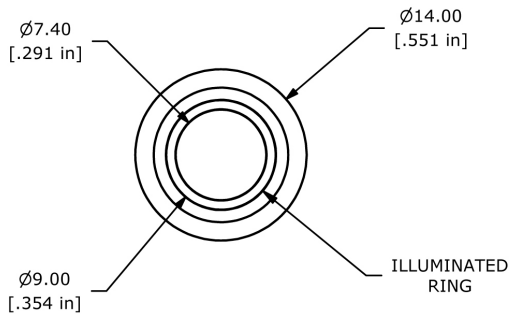
www.e-switch.com

800.867.2717

2

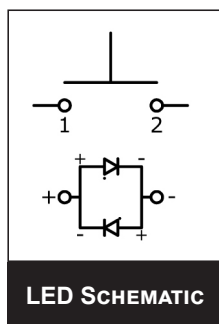
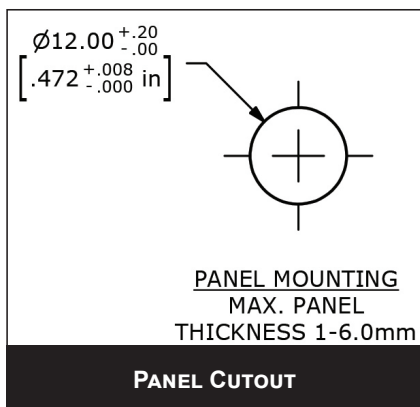
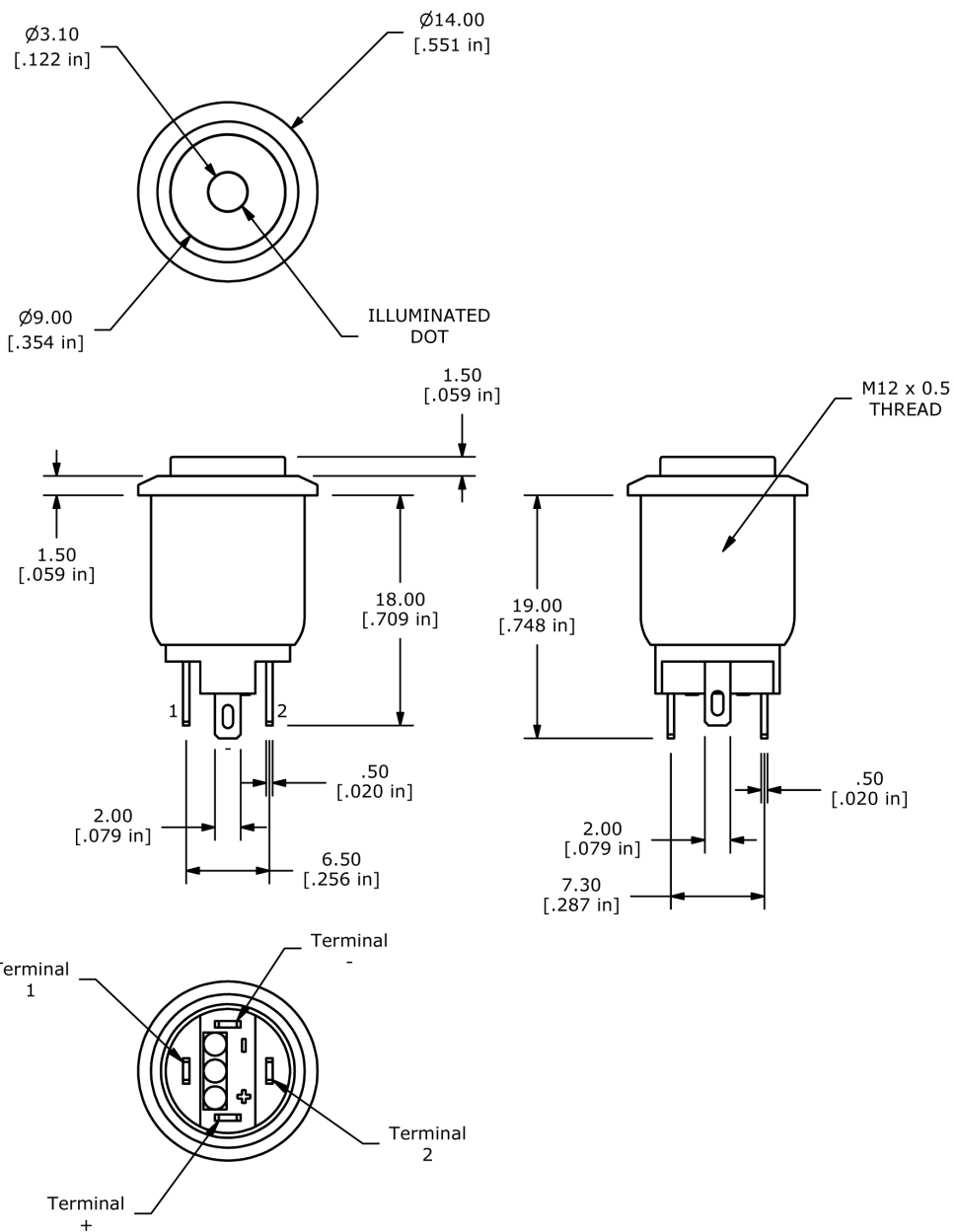
PV0 SERIES ANTI-VANDAL SWITCH

RING ILLUMINATION



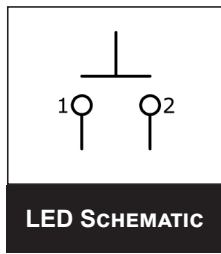
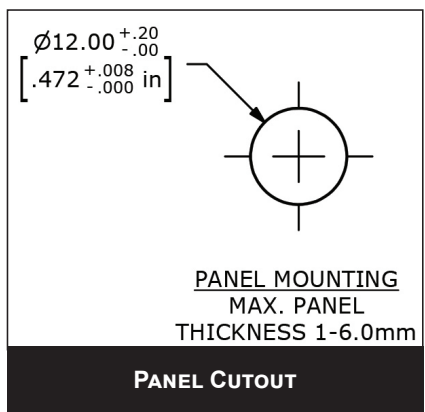
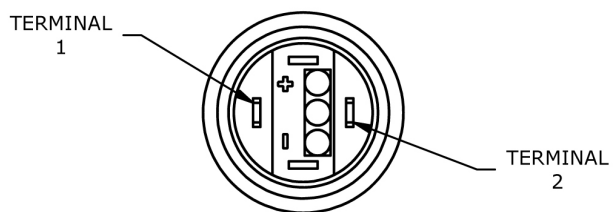
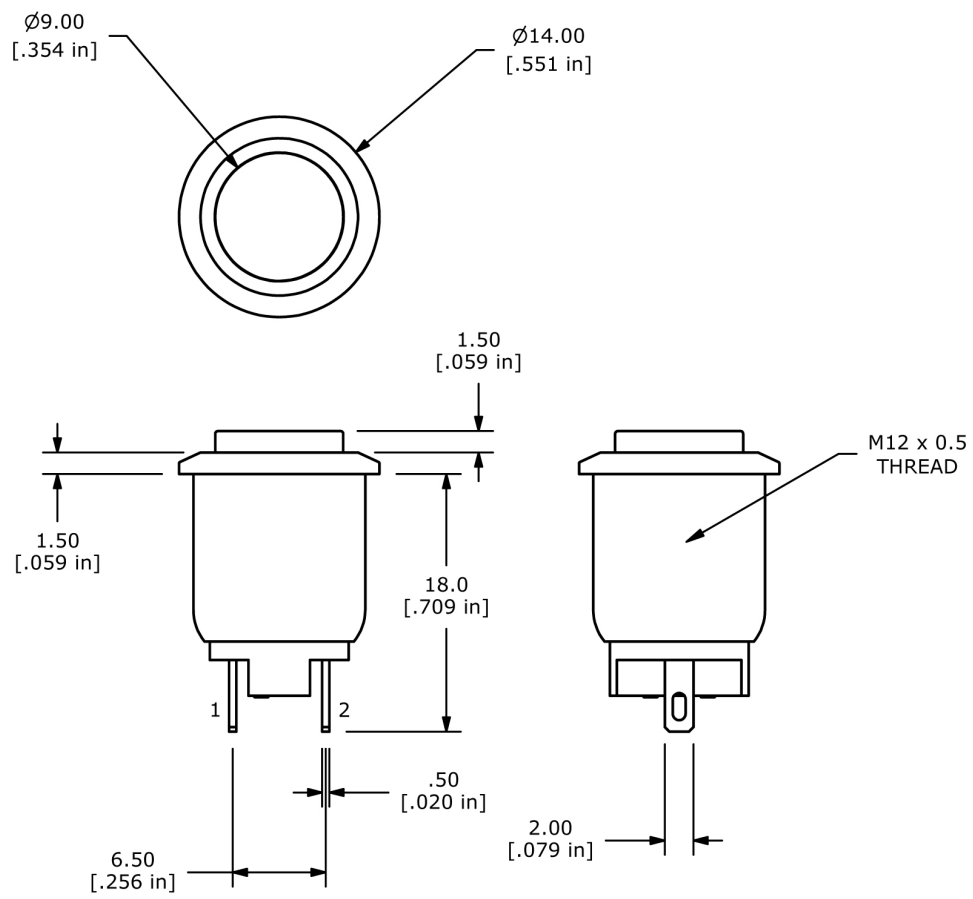
PV0 SERIES ANTI-VANDAL SWITCH

DOT ILLUMINATION



PV0 SERIES ANTI-VANDAL SWITCH

NON-ILLUMINATED



- ANTI-VANDAL SWITCHES
- DETECTOR SWITCHES
- DIP SWITCHES
- KEYLOCK SWITCHES
- NAVIGATION SWITCHES
- PUSHBUTTON SWITCHES
- ROCKER SWITCHES
- ROTARY SWITCHES
- SLIDE SWITCHES
- SNAP ACTION SWITCHES
- TACTILE SWITCHES
- TOGGLE SWITCHES
- CAP OPTIONS



Mouser Electronics

Authorized Distributor

Click to View Pricing, Inventory, Delivery & Lifecycle Information:

E-Switch:

[PV0H240SS-211](#) [PV0H240SS-241](#) [PV0H240SS](#) [PV0H240SS-331](#) [PV0H240SS-311](#) [PV0H240SS-341](#)
[PV0H240SS-231](#) [PV0H24011-311](#) [PV0H24011-3G1](#)