

SAC-4P-M8MR/ 2,0-680 FDP - Sensor/actuator cable



1096009

<https://www.phoenixcontact.com/us/products/1096009>

Please be informed that the data shown in this PDF document is generated from our online catalog. Please find the complete data in the user documentation. Our general terms of use for downloads are valid.



Sensor/actuator cable, 4-position, PVC, gray, shielded, Plug angled M8, on free cable end, cable length: 2 m, Foil shielding plus drain wire

Commercial data

Item number	1096009
Packing unit	1 pc
Note	Made to order (non-returnable)
Sales key	BF13
Product key	BF1IEF
GTIN	4055626929606
Weight per piece (including packing)	22.22 g
Weight per piece (excluding packing)	22.22 g
Country of origin	US

1096009

<https://www.phoenixcontact.com/us/products/1096009>

Technical data

Product properties

Product type	Sensor/actuator cable
Application	Standard, U.S. cables
Number of positions	4
No. of cable outlets	1
Shielded	yes
Coding	A

Data management status

Article revision	00
------------------	----

Insulation characteristics

Overvoltage category	II
Degree of pollution	3

Material specifications

Flammability rating according to UL 94	HB
Material of grip body	TPU, hardly inflammable, self-extinguishing
Contact material	CuSn
Contact surface material	Ni/Au
Contact carrier material	TPU GF
Material for screw connection	Zinc die-cast, nickel-plated

Electrical properties

Insulation resistance	$\geq 100 \text{ M}\Omega$
Nominal voltage U_N	48 V AC
	60 V DC
Nominal current I_N	4 A

Mechanical properties

Mechanical data

Insertion/withdrawal cycles	≥ 100
-----------------------------	------------

Signaling

Status display	no
Status display present	No

Connection data

Conductor connection

Tightening torque	0.2 Nm (M8 connectors)
-------------------	------------------------

Connector

SAC-4P-M8MR/ 2,0-680 FDP - Sensor/actuator cable



1096009

<https://www.phoenixcontact.com/us/products/1096009>

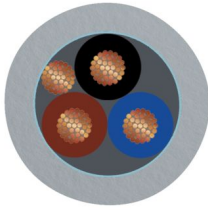
Connection 1

Type	Plug angled M8
------	----------------

Connection 2

Type	free cable end
------	----------------

Cable/line

Cable length	2 m
Dimensional drawing	
Cable weight	26.04 kg/km
UL AWM Style	2517 (105 °C / 300 V)
Number of positions	3
Shielded	yes
AWG signal line	24
Wire diameter incl. insulation	1.12 mm ±0.03 mm
External cable diameter	4.17 mm ±0.2 mm
Outer sheath, material	PVC
External sheath, color	gray
Conductor material	Tin-plated Cu litz wires
Material wire insulation	PVC (Signal line)
Single wire, color	brown, blue, black
Type of pair shielding	Plastic-coated aluminum foil, aluminum side inside
Overall twist	Conductors, fillers, and drain wire are twisted with left-hand lay
Max. conductor resistance	max. 80.2 Ω/km (20 °C)
Insulation resistance	≥ (550 M Ohms/m @ 500V)
Nominal voltage, cable	300 V
Minimum bending radius, flexible installation	8 x D
Smallest bending radius, movable installation	34 mm
Flame resistance	FT4
Other resistance	UV resistant
Ambient temperature (operation)	-30 °C ... 105 °C (cable, fixed installation)

Environmental and real-life conditions

Ambient conditions

Degree of protection	IP65
	IP67

SAC-4P-M8MR/ 2,0-680 FDP - Sensor/actuator cable



1096009

<https://www.phoenixcontact.com/us/products/1096009>

	IP68
Ambient temperature (operation)	-25 °C ... 90 °C (Plug / socket)
	-40 °C ... 80 °C (cable, fixed installation)
	-5 °C ... 80 °C (Cable, flexible installation)

Standards and regulations

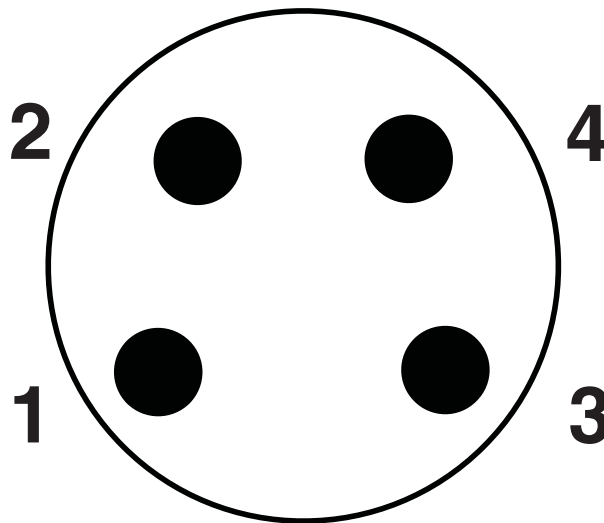
Standard designation	M8 connector
Standards/specifications	IEC 61076-2-104

1096009

<https://www.phoenixcontact.com/us/products/1096009>

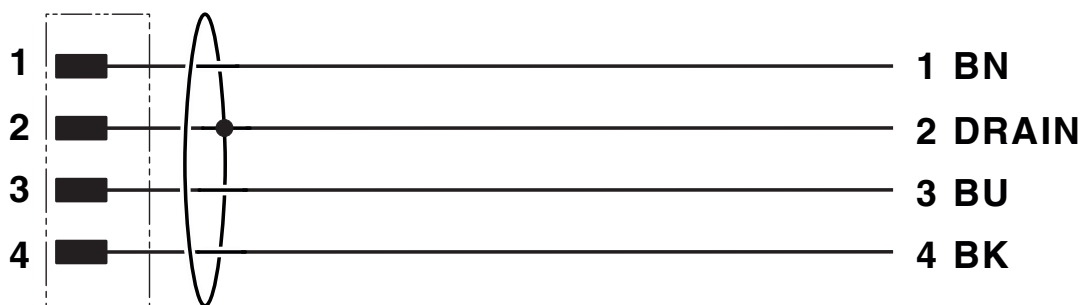
Drawings

Schematic diagram



Pin assignment M8 plug, 4-pos., view male side

Circuit diagram



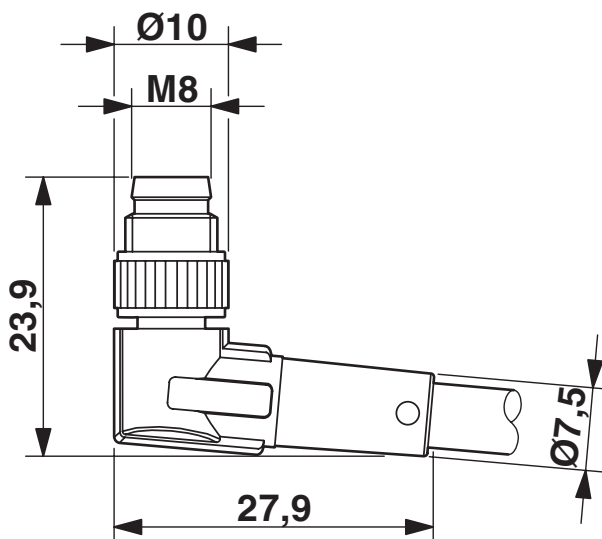
SAC-4P-M8MR/ 2,0-680 FDP - Sensor/actuator cable



1096009

<https://www.phoenixcontact.com/us/products/1096009>

Dimensional drawing



M8 x 1 male plug, angled version

SAC-4P-M8MR/ 2,0-680 FDP - Sensor/actuator cable





1096009

<https://www.phoenixcontact.com/us/products/1096009>

Approvals

To download certificates, visit the product detail page: <https://www.phoenixcontact.com/us/products/1096009>

 UL Listed Approval ID: FILE E 221474				
	Nominal voltage U_N	Nominal current I_N	Cross section AWG	Cross section mm^2
	30 V	4 A	-	-

 cUL Listed Approval ID: FILE E 221474				
	Nominal voltage U_N	Nominal current I_N	Cross section AWG	Cross section mm^2
	30 V	4 A	-	-

cULus Listed				
---------------------	--	--	--	--

SAC-4P-M8MR/ 2,0-680 FDP - Sensor/actuator cable



1096009

<https://www.phoenixcontact.com/us/products/1096009>

Classifications

ECLASS

ECLASS-11.0	27060311
ECLASS-12.0	27060311
ECLASS-13.0	27060311

UNSPSC

UNSPSC 21.0	31251501
-------------	----------

1096009

<https://www.phoenixcontact.com/us/products/1096009>

Environmental product compliance

EU RoHS

Fulfills EU RoHS substance requirements	Yes
Exemption	6(c)

China RoHS

Environment friendly use period (EFUP)	EFUP-50
	An article-related China RoHS declaration table can be found in the download area for the respective article under "Manufacturer declaration". For all articles with EFUP-E, no China RoHS declaration table issued and required.

EU REACH SVHC

REACH candidate substance (CAS No.)	Lead(CAS: 7439-92-1)
-------------------------------------	----------------------

SAC-4P-M8MR/ 2,0-680 FDP - Sensor/actuator cable



1096009

<https://www.phoenixcontact.com/us/products/1096009>

Accessories

PROT-M 8 FS-PA-CHAIN - Sealing cap

1430857

<https://www.phoenixcontact.com/us/products/1430857>

M8 sealing cap made of plastic with fixing band for sensor cables, for M8 plugs



PROT-M 8 MS-PA-CHAIN - Screw plug

1430860

<https://www.phoenixcontact.com/us/products/1430860>

M8 sealing cap made of plastic with fixing band for sensor cables, for M8 sockets



SAC-4P-M8MR/ 2,0-680 FDP - Sensor/actuator cable



1096009

<https://www.phoenixcontact.com/us/products/1096009>

TSD 02 SAC - Torque screwdriver

1208487

<https://www.phoenixcontact.com/us/products/1208487>



Torque screwdriver, with preset torque of 0.2 Nm and 4 mm hexagonal drive for M8 connectors

SAC BIT M8-D10 - Tool

1208461

<https://www.phoenixcontact.com/us/products/1208461>



Nut for assembling M8 connectors with longitudinal knurl and a knurl diameter of 10 mm, for 4 mm hexagonal drive

Phoenix Contact 2024 © - all rights reserved
<https://www.phoenixcontact.com>

Phoenix Contact USA
586 Fulling Mill Road
Middletown, PA 17057, United States
(+717) 944-1300
info@phoenixcon.com