

66106-8 ✓ ACTIVE

AMP | AMP Type III+

TE Internal #: 66106-8

Pin Contact, Precious Metal, Locking Spring Contact Retention,
Size 16 Contact Size, Discrete Wire, 26 – 24 AWG Wire Size, AMP
Type III+

[View on TE.com >](#)



Connectors > Contacts > Connector Contacts



Contact Type: **Pin**

Contact Mating Area Plating Material: **Precious Metal**

Wire Contact Termination Area Plating Material: **Tin**

Contact Retention Within Housing: **With**

Contact Retention Type Within Housing: **Locking Spring**

Features

Product Type Features

Discrete Wire Type	Solid or Stranded
Sealable	No

Configuration Features

Compatible With Wire & Cable Type	Discrete Wire
-----------------------------------	---------------

Contact Features

Contact Mating Area Length	9.91 mm[.39 in]
Mating Pin Diameter	1.57 mm[.062 in]
Contact Underplating Material Thickness	1.27 μ m[50 μ in]
Wire Contact Termination Area Plating Thickness	1.27 μ m[50 μ in]
Wire Contact Termination Area Plating Material Finish	Matte
Contact Mating Area Plating Material Thickness	.76 μ m[30 μ in]
Contact Shape & Form	Round
Contact Length	27.1 mm[1.067 in]
Contact Orientation	Straight



Contact Underplating Material	Nickel
Barrel Type	Open
Contact Type	Pin
Contact Mating Area Plating Material	Precious Metal
Wire Contact Termination Area Plating Material	Tin
Contact Retention Within Housing	With
Contact Size	Size 16
Contact Base Material	Brass
Contact Current Rating (Max)	13 A

Termination Features

Termination Method to Wire & Cable	Crimp
Product Terminates To	Wire & Cable

Mechanical Attachment

Wire Insulation Support	With
Contact Retention Type Within Housing	Locking Spring

Dimensions

Compatible Insulation Diameter Range	.89 – 1.4 mm [.035 – .055 in]
Wire Size	.12 – .2 mm ²

Usage Conditions

Operating Temperature Range	-55 – 150 °C [-67 – 302 °F]
-----------------------------	-----------------------------

Operation/Application

Circuit Application	Power & Signal
---------------------	----------------

Industry Standards

Compatible With Agency/Standards Products	UL, VDE
---	---------

Packaging Features

Packaging Quantity	4000
Packaging Method	Reel, Reverse Reel

Product Compliance

For compliance documentation, visit the product page on [TE.com](#)>

EU RoHS Directive 2011/65/EU	Compliant
EU ELV Directive 2000/53/EC	Compliant



China RoHS 2 Directive MIIT Order No 32, 2016	No Restricted Materials Above Threshold
EU REACH Regulation (EC) No. 1907/2006	Current ECHA Candidate List: JUNE 2024 (241) Candidate List Declared Against: JUNE 2024 (241) Does not contain REACH SVHC
Halogen Content	Low Halogen - Br, Cl, F, I < 900 ppm per homogenous material. Also BFR/CFR/PVC Free
Solder Process Capability	Not applicable for solder process capability

Product Compliance Disclaimer

This information is provided based on reasonable inquiry of our suppliers and represents our current actual knowledge based on the information they provided. This information is subject to change. The part numbers that TE has identified as EU RoHS compliant have a maximum concentration of 0.1% by weight in homogenous materials for lead, hexavalent chromium, mercury, PBB, PBDE, DBP, BBP, DEHP, DIBP, and 0.01% for cadmium, or qualify for an exemption to these limits as defined in the Annexes of Directive 2011/65/EU (RoHS2). Finished electrical and electronic equipment products will be CE marked as required by Directive 2011/65/EU. Components may not be CE marked. Additionally, the part numbers that TE has identified as EU ELV compliant have a maximum concentration of 0.1% by weight in homogenous materials for lead, hexavalent chromium, and mercury, and 0.01% for cadmium, or qualify for an exemption to these limits as defined in the Annexes of Directive 2000/53/EC (ELV). Regarding the REACH Regulation, the information TE provides on SVHC in articles for this part number is based on the latest European Chemicals Agency (ECHA) 'Guidance on requirements for substances in articles' posted at this URL: <https://echa.europa.eu/guidance-documents/guidance-on-reach>

Compatible Parts



TE Part # 58495-2
PROCRIMPER DIE ASSY MULTIMATE



TE Part # 200893-2
INSERTION TOOL CONT



TE Part # 58495-1
PRO CRIMPER ASSY MULTIMATE



TE Part # 539972-1
EXTRACTION TOOL



TE Part # 305183
EXTRACT TOOL TYPE 2 20-16



TE Part # 208470-1
CMC PLUG ASSEMBLY, SZ 28



TE Part # 208714-2
CMC PLUG ASSEMBLY, SZ 14-7



TE Part # 208714-1
CMC PLUG ASSEMBLY, SZ 14-7




TE Part # 208718-1
CMC PLUG ASSEMBLY, SZ 14-5



TE Part # 788153-2
SLD CPC PLUG ASSY, 11-4, REV SEX



TE Part # 211770-2
CPC PLUG ASSEMBLY SIZE 23-19



TE Part # 208720-1
PLUG ASSY, SZ 14, CMC



TE Part # 208457-1
CMC PLUG ASSEMBLY, SZ 28-24



TE Part # 211766-1
CPC PLUG ASSEMBLY SIZE 17-9



TE Part # 211772-1
CPC PLUG ASSEMBLY SIZE 23-19



TE Part # 208470-3
CMC PLUG ASSEMBLY, SZ 28



TE Part # 213853-1
CPC PLUG ASSEMBLY SIZE 23-19



TE Part # 206305-1
CPC PLUG ASSEMBLY SIZE 23-37




TE Part # 796450-1
PLUG ASSY, CPC, 17-9, REV SEX




TE Part # 796188-1
SLD CPC PLUG ASSY, 23-24, STD SX

Also in the Series | AMP Type III+

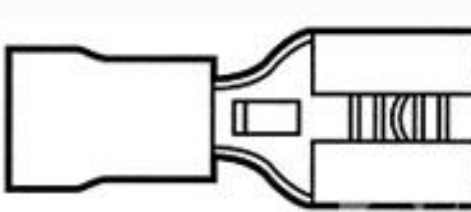


Connector Contacts(400)



Insertion & Extraction Tools(4)

Customers Also Bought



TE Part #160314-2
250 FASTON



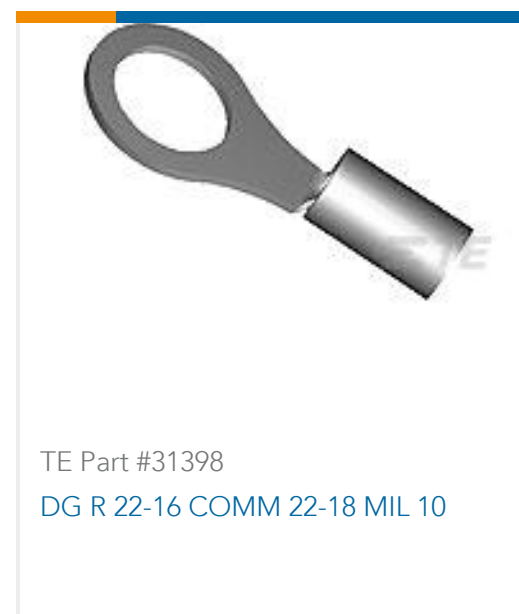
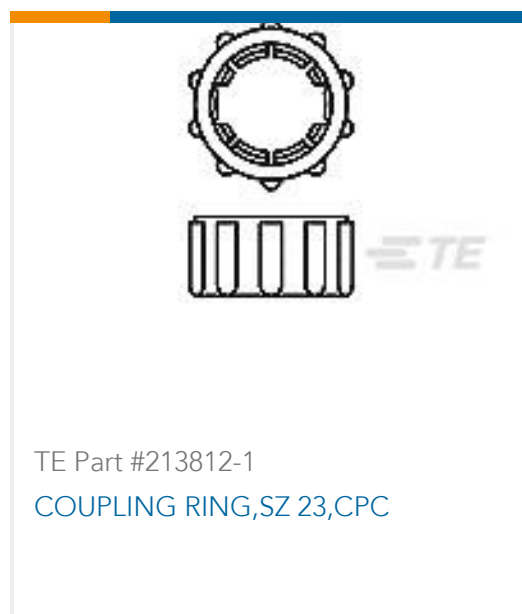
TE Part #206151-1
23-37 RECEPT STD SEX



TE Part #206151-2
23-37 F.H. RECEPT



TE Part #206150-1
CPC PLUG ASSEMBLY SIZE 23-37



Documents

Product Drawings

III+ PIN, 26-24, 30AU/FL, STRIP

English

CAD Files

Customer View Model

ENG_CVM_CVM_66106-8_AS.2d_dxf.zip

English

3D PDF

3D

Customer View Model

ENG_CVM_CVM_66106-8_AS.3d_igs.zip

English

Customer View Model

ENG_CVM_CVM_66106-8_AS.3d_stp.zip

English

By downloading the CAD file I accept and agree to the [Terms and Conditions](#) of use.

Datasheets & Catalog Pages

AMP Circular Connectors for Commercial Signal & Power Applications

English

Signal Contacts

English

M_SERIES_PIN_AND_SOCKET_CONNECTORS

English

Product Specifications



Application Specification

English

Instruction Sheets

[Instruction Sheet \(U.S.\)](#)

Japanese

[Instruction Sheet \(U.S.\)](#)

English