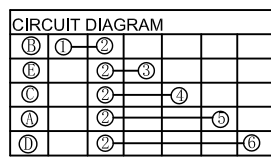
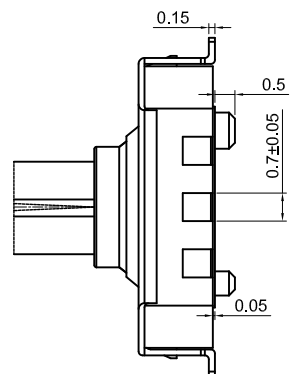
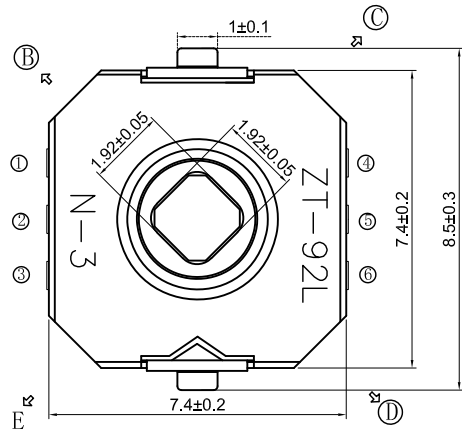


# GT-TCA06D-H060-L1

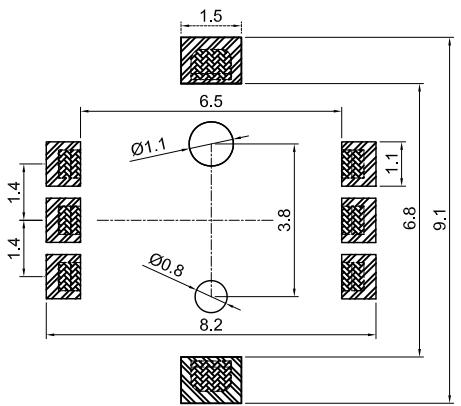
L1=100,000 Cycles

G-SWITCH

D=5-direction 160±80gf  
 Center push 350±150gf  
 F=5-direction 160±80gf  
 Center push 400±150gf  
 H=050(5.0)  
 H=060(6.0)



电路图 (CIRCUIT DIAGRAM)



安装图 (PCB LAYOUT PLAN)

**G-Switch Specification:**  
 Operating temperature range: -40°C to +85°C  
 Rating: 50mA.12V DC  
 Insulation resistance: 100MΩ min.100V DC  
 Dielectric strength: 250V AC for 1 min  
 Contact resistance: 100mΩ max.



## G-Switch Electronic (HongKong) CO.,Ltd.

Unless otherwise specified, Tolerance: X. ±0.30 X.x ±0.20 X.xx ±0.15 X.xxx ±0.10 Angles ±3°	DESIGN LI QIngqi	DATE 2022.06.22	Molde code:	
	CHECKED	DATE	GT-TCA06D-H060-L1	
	APPROVED	DATE	REV.: X1	SCALE: 4:1
	<a href="http://www.dg-switch.com">http://www.dg-switch.com</a>		UNIT: mm	
	TEL:0769-82388879	SIZE: A4	SHEET: 1/1	