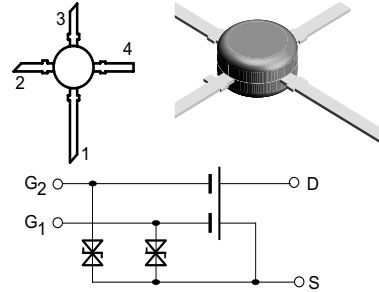


# N-Channel Dual Gate MOS-Fieldeffect Tetrode, Depletion Mode

## Features

- Integrated gate protection diodes
- High cross modulation performance
- Low noise figure
- High gain
- High AGC-range
- Low feedback capacitance
- Low input capacitance
- Lead (Pb)-free component
- Component in accordance to RoHS 2002/95/EC and WEEE 2002/96/EC



Electrostatic sensitive device.  
Observe precautions for handling.

13625

## Applications

Input- and mixer stages especially VHF- and UHF-tuners.

## Mechanical Data

**Case:** TO-50 Plastic case

**Weight:** approx. 124 mg

**Marking:** BF988

### Pinning:

1 = Drain, 2 = Source,  
3 = Gate 1, 4 = Gate 2

## Parts Table

Part	Ordering Ccode	Marking	Package
BF988	BF988A or BF988B	BF988	TO50
BF988A	BF988A	BF988	TO50
BF988B	BF988B	BF988	TO50

## Absolute Maximum Ratings

$T_{amb} = 25\text{ }^{\circ}\text{C}$ , unless otherwise specified

Parameter	Test condition	Symbol	Value	Unit
Drain - source voltage		$V_{DS}$	12	V
Drain current		$I_D$	30	mA
Gate 1/Gate 2 - source peak current		$\pm I_{G1/G2SM}$	10	mA
Total power dissipation	$T_{amb} \leq 60\text{ }^{\circ}\text{C}$	$P_{tot}$	200	mW
Channel temperature		$T_{Ch}$	150	$^{\circ}\text{C}$
Storage temperature range		$T_{stg}$	- 55 to + 150	$^{\circ}\text{C}$

### Maximum Thermal Resistance

Parameter	Test condition	Symbol	Value	Unit
Channel ambient	1)	$R_{thChA}$	450	K/W

1) on glass fibre printed board (40 x 25 x 1.5) mm<sup>3</sup> plated with 35 µm Cu

### Electrical DC Characteristics

$T_{amb} = 25\text{ °C}$ , unless otherwise specified

Parameter	Test condition	Part	Symbol	Min	Typ.	Max	Unit
Drain - source breakdown voltage	$I_D = 10\text{ }\mu\text{A}$ , $-V_{G1S} = -V_{G2S} = 4\text{ V}$		$V_{(BR)DS}$	12			V
Gate 1 - source breakdown voltage	$\pm I_{G1S} = 10\text{ mA}$ , $V_{G2S} = V_{DS} = 0$		$\pm V_{(BR)G1SS}$	7		14	V
Gate 2 - source breakdown voltage	$\pm I_{G2S} = 10\text{ mA}$ , $V_{G1S} = V_{DS} = 0$		$\pm V_{(BR)G2SS}$	7		14	V
Gate 1 - source leakage current	$\pm V_{G1S} = 5\text{ V}$ , $V_{G2S} = V_{DS} = 0$		$\pm I_{G1SS}$			50	nA
Gate 2 - source leakage current	$\pm V_{G2S} = 5\text{ V}$ , $V_{G1S} = V_{DS} = 0$		$\pm I_{G2SS}$			50	nA
Drain current	$V_{DS} = 15\text{ V}$ , $V_{G1S} = 0$ , $V_{G2S} = 4\text{ V}$	BF988	$I_{DSS}$	4		18	mA
		BF988A	$I_{DSS}$	4		10.5	mA
		BF988B	$I_{DSS}$	9.5		18	mA
Gate 1 - source cut-off voltage	$V_{DS} = 15\text{ V}$ , $V_{G2S} = 4\text{ V}$ , $I_D = 20\text{ }\mu\text{A}$		$-V_{G1S(OFF)}$			2.5	V
Gate 2 - source cut-off voltage	$V_{DS} = 15\text{ V}$ , $V_{G1S} = 0$ , $I_D = 20\text{ }\mu\text{A}$		$-V_{G2S(OFF)}$			2.0	V

### Electrical AC Characteristics

$T_{amb} = 25\text{ °C}$ , unless otherwise specified

$V_{DS} = 8\text{ V}$ ,  $I_D = 10\text{ mA}$ ,  $V_{G2S} = 4\text{ V}$ ,  $f = 1\text{ MHz}$

Parameter	Test condition	Symbol	Min	Typ.	Max	Unit
Forward transadmittance		$ y_{21s} $	21	24		mS
Gate 1 input capacitance		$C_{issg1}$		2.1	2.5	pF
Gate 2 input capacitance	$V_{G1S} = 0$ , $V_{G2S} = 4\text{ V}$	$C_{issg2}$		1.2		pF
Feedback capacitance		$C_{rfs}$		25		fF
Output capacitance		$C_{oss}$		1.05		pF
Power gain	$G_S = 2\text{ mS}$ , $G_L = 0.5\text{ mS}$ , $f = 200\text{ MHz}$	$G_{ps}$		28		dB
	$G_S = 3.3\text{ mS}$ , $G_L = 1\text{ mS}$ , $f = 800\text{ MHz}$	$G_{ps}$	16.5	20		dB
AGC range	$V_{G2S} = 4\text{ to } -2\text{ V}$ , $f = 800\text{ MHz}$	$\Delta G_{ps}$	40			dB
Noise figure	$G_S = 2\text{ mS}$ , $G_L = 0.5\text{ mS}$ , $f = 200\text{ MHz}$	F		1		dB
	$G_S = 3.3\text{ mS}$ , $G_L = 1\text{ mS}$ , $f = 800\text{ MHz}$	F		1.5		dB



**Common Emitter S-Parameters**

$V_{DS} = 8\text{ V}$ ,  $V_{GS} = 4\text{ V}$ ,  $Z_0 = 50\ \Omega$ ,  $T_{amb} = 25\text{ }^\circ\text{C}$ , unless otherwise specified

$I_D$ /mA	f/MHz	S11		S21		S12		S22	
		LOG MAG	ANG	LOG MAG	ANG	LOG MAG	ANG	LOG MAG	ANG
			deg		deg		deg		deg
5	100	-0.02	-7.8	6.01	168.4	-56.27	83.0	-0.02	-3.6
	200	-0.10	-15.3	5.87	156.3	-50.61	76.6	-0.06	-7.3
	300	-0.31	-22.8	5.69	144.2	-47.70	70.9	-0.13	-10.6
	400	-0.56	-30.2	5.42	132.9	-46.19	65.6	-0.20	-14.2
	500	-0.87	-37.3	5.17	121.5	-45.46	60.6	-0.28	-17.5
	600	-1.26	-44.3	4.85	110.6	-45.84	55.4	-0.36	20.5
	700	-1.59	-50.9	4.54	100.4	-47.31	58.6	-0.43	-23.8
	800	-2.04	-58.0	4.25	90.2	-48.19	63.3	-0.49	-26.8
	900	-2.42	-64.4	4.02	80.6	-50.37	81.5	-0.52	-30.2
	1000	-2.88	-71.4	3.78	70.8	-49.48	115.6	-0.54	-33.4
	1100	-3.39	-78.3	3.42	60.5	47.92	131.7	-0.66	-36.8
	1200	-3.94	-85.2	3.21	51.6	-44.65	153.0	-0.66	-40.1
	1300	-4.46	-91.8	3.01	42.0	-41.76	159.8	-0.66	-43.9
10	100	-0.02	-8.3	7.84	168.5	-55.67	83.0	-0.04	-3.7
	200	-0.11	-16.1	7.70	156.6	-50.01	76.4	-0.09	-7.4
	300	-0.35	-24.0	7.49	144.8	-47.20	70.3	-0.16	-10.8
	400	-0.62	-31.6	7.21	133.6	-45.60	65.1	-0.23	-14.3
	500	-0.97	-39.2	6.93	122.5	-44.88	60.0	-0.31	17.9
	600	-1.39	-46.4	6.59	111.9	-45.25	54.5	-0.42	-20.9
	700	-1.76	-53.2	6.27	101.9	-46.51	57.4	-0.48	-24.1
	800	-2.25	-60.3	5.97	92.1	-47.19	61.4	-0.55	-27.3
	900	-2.67	-67.1	5.71	82.8	-49.28	76.0	-0.58	-30.6
	1000	-3.16	-74.1	5.46	73.3	-48.99	107.1	-0.60	-33.8
	1100	-3.72	-81.1	5.07	63.3	-48.03	123.3	-0.73	-37.2
	1200	-4.30	-88.0	4.85	54.6	-45.15	147.6	-0.73	-40.6
	1300	-4.87	-94.4	4.63	45.4	-42.46	157.6	-0.73	-44.3
15	100	-0.01	-8.4	8.62	168.6	-55.26	83.0	-0.07	-3.7
	200	-0.13	-16.4	8.46	156.8	-49.61	76.3	-0.12	-7.5
	3000	-0.37	-24.5	8.26	145.2	-46.70	70.3	-0.20	-11.0
	400	-0.66	-32.3	7.96	134.0	-45.10	64.9	-0.27	-14.4
	500	-1.02	-39.8	7.66	122.9	-44.38	59.7	-0.36	-18.0
	600	-1.47	-47.0	7.33	112.3	-44.65	54.3	-0.47	-20.9
	700	-1.85	-54.1	6.98	102.6	-45.72	57.0	-0.53	-24.2
	800	-2.36	-61.3	6.68	92.8	-46.29	60.0	-0.61	-27.4
	900	-2.80	-67.9	6.42	83.7	-48.18	71.9	-0.64	-30.6
	1000	-3.30	-75.0	6.15	74.3	-48.49	98.7	-0.66	-33.9
	1100	3.89	-82.0	5.75	64.6	-47.93	114.8	-0.77	-37.3
	1200	-4.49	-88.8	5.52	56.0	-45.75	141.2	-0.79	-40.8
	1300	-5.06	-95.2	5.30	46.9	-43.05	153.4	-0.79	-44.5

## Typical Characteristics ( $T_{amb} = 25\text{ }^{\circ}\text{C}$ unless otherwise specified)

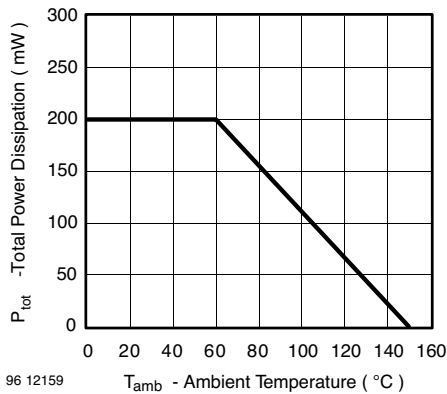


Figure 1. Total Power Dissipation vs. Ambient Temperature

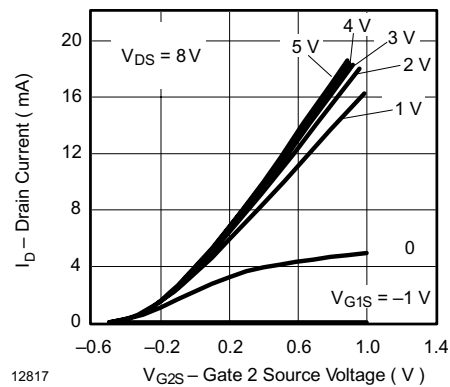


Figure 4. Drain Current vs. Gate 2 Source Voltage

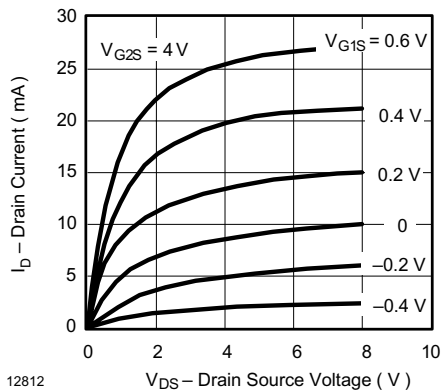


Figure 2. Drain Current vs. Drain Source Voltage

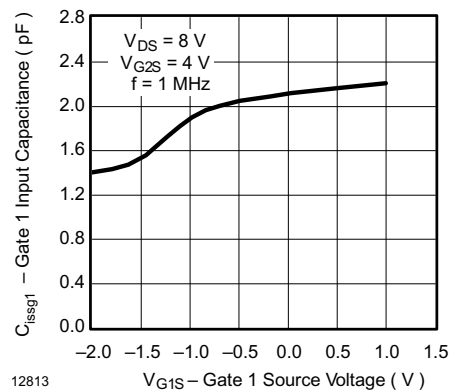


Figure 5. Gate 1 Input Capacitance vs. Gate 1 Source Voltage

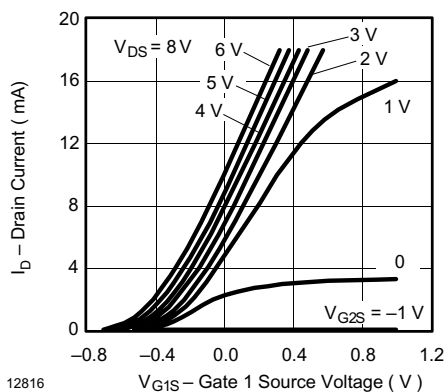


Figure 3. Drain Current vs. Gate 1 Source Voltage

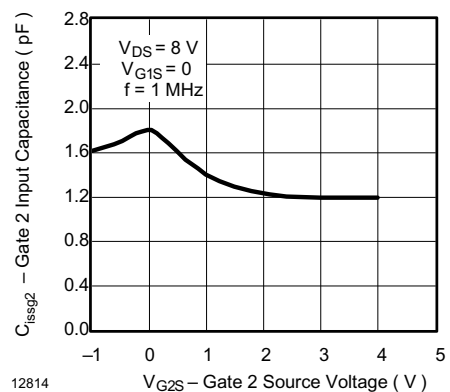


Figure 6. Gate 2 Input Capacitance vs. Gate 2 Source Voltage

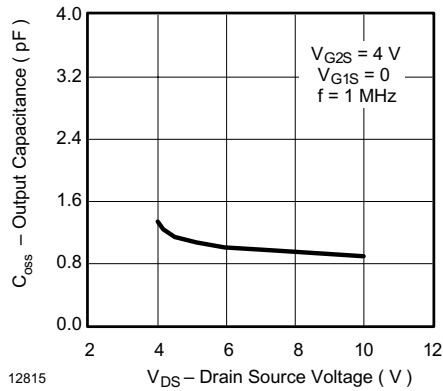


Figure 7. Output Capacitance vs. Drain Source Voltage

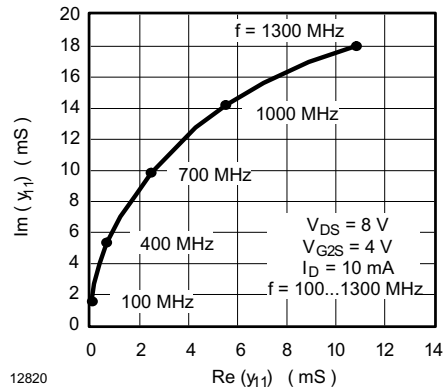


Figure 10. Short Circuit Input Admittance

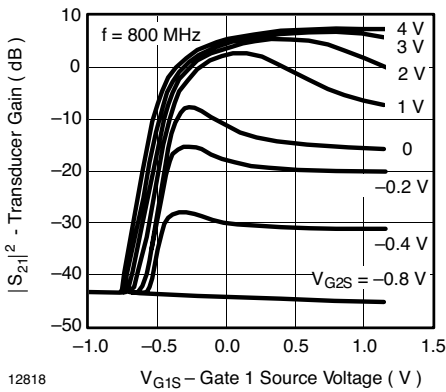


Figure 8. Transducer Gain vs. Gate 1 Source Voltage

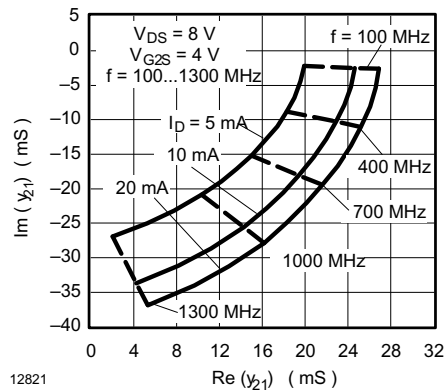


Figure 11. Short Circuit Forward Transfer Admittance

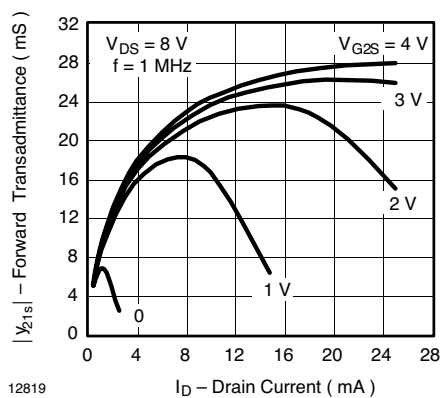


Figure 9. Forward Transadmittance vs. Drain Current

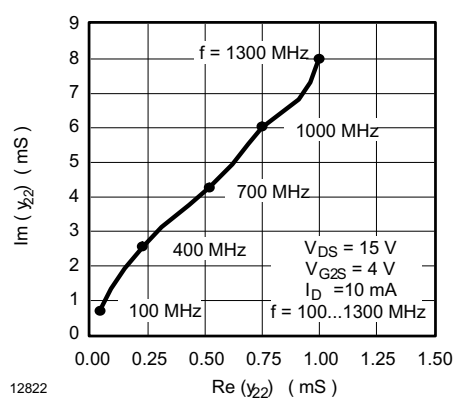
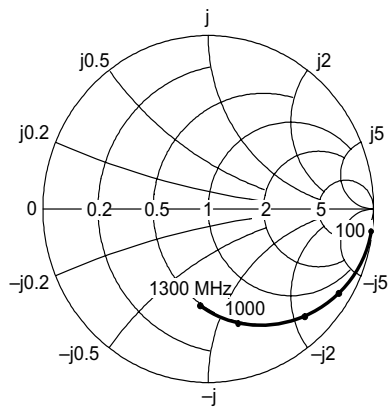


Figure 12. Short Circuit Output Admittance

$V_{DS} = 8\text{ V}$ ,  $I_D = 10\text{ mA}$ ,  $V_{G2S} = 4\text{ V}$ ,  $Z_0 = 50\ \Omega$

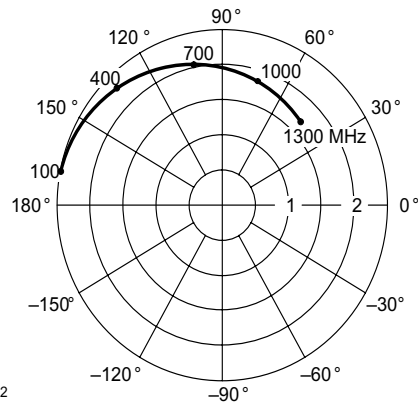
$S_{11}$



12960

Figure 13. Input Reflection Coefficient

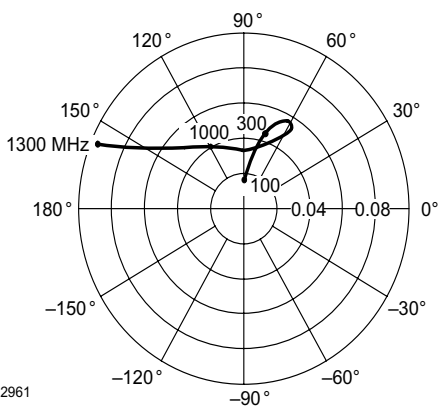
$S_{21}$



12962

Figure 15. Forward Transmission Coefficient

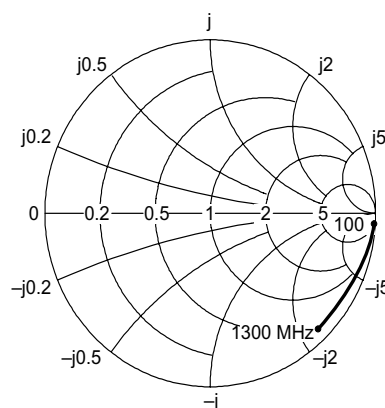
$S_{12}$



12961

Figure 14. Reverse Transmission Coefficient

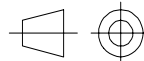
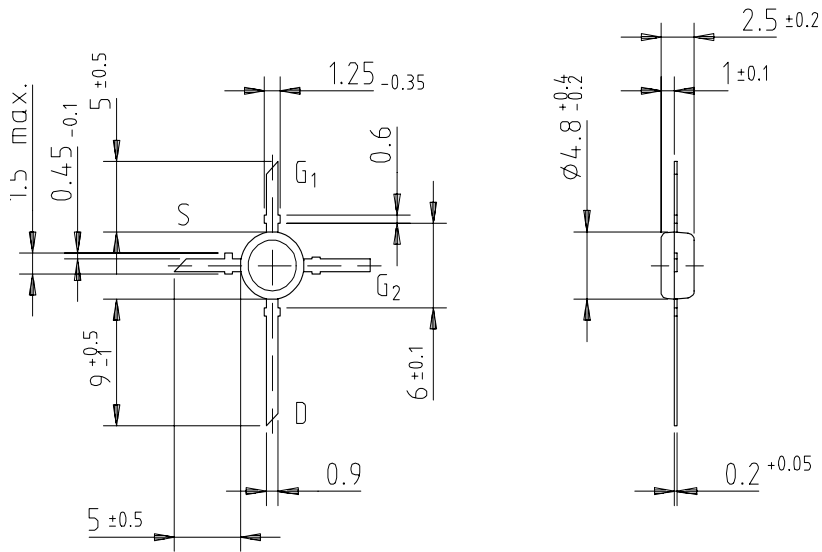
$S_{22}$



12963

Figure 16. Output Reflection Coefficient

## Package Dimensions in mm



96 12242

technical drawings  
according to DIN  
specifications

### Ozone Depleting Substances Policy Statement

It is the policy of Vishay Semiconductor GmbH to

1. Meet all present and future national and international statutory requirements.
2. Regularly and continuously improve the performance of our products, processes, distribution and operating systems with respect to their impact on the health and safety of our employees and the public, as well as their impact on the environment.

It is particular concern to control or eliminate releases of those substances into the atmosphere which are known as ozone depleting substances (ODSs).

The Montreal Protocol (1987) and its London Amendments (1990) intend to severely restrict the use of ODSs and forbid their use within the next ten years. Various national and international initiatives are pressing for an earlier ban on these substances.

Vishay Semiconductor GmbH has been able to use its policy of continuous improvements to eliminate the use of ODSs listed in the following documents.

1. Annex A, B and list of transitional substances of the Montreal Protocol and the London Amendments respectively
2. Class I and II ozone depleting substances in the Clean Air Act Amendments of 1990 by the Environmental Protection Agency (EPA) in the USA
3. Council Decision 88/540/EEC and 91/690/EEC Annex A, B and C (transitional substances) respectively.

Vishay Semiconductor GmbH can certify that our semiconductors are not manufactured with ozone depleting substances and do not contain such substances.

We reserve the right to make changes to improve technical design  
and may do so without further notice.

Parameters can vary in different applications. All operating parameters must be validated for each customer application by the customer. Should the buyer use Vishay Semiconductors products for any unintended or unauthorized application, the buyer shall indemnify Vishay Semiconductors against all claims, costs, damages, and expenses, arising out of, directly or indirectly, any claim of personal damage, injury or death associated with such unintended or unauthorized use.

Vishay Semiconductor GmbH, P.O.B. 3535, D-74025 Heilbronn, Germany





## Notice

Specifications of the products displayed herein are subject to change without notice. Vishay Intertechnology, Inc., or anyone on its behalf, assumes no responsibility or liability for any errors or inaccuracies.

Information contained herein is intended to provide a product description only. No license, express or implied, by estoppel or otherwise, to any intellectual property rights is granted by this document. Except as provided in Vishay's terms and conditions of sale for such products, Vishay assumes no liability whatsoever, and disclaims any express or implied warranty, relating to sale and/or use of Vishay products including liability or warranties relating to fitness for a particular purpose, merchantability, or infringement of any patent, copyright, or other intellectual property right.

The products shown herein are not designed for use in medical, life-saving, or life-sustaining applications. Customers using or selling these products for use in such applications do so at their own risk and agree to fully indemnify Vishay for any damages resulting from such improper use or sale.