

SN54ALS240A, SN54AS240A, SN74ALS240A, SN74AS240A OCTAL BUFFERS/DRIVERS WITH 3-STATE OUTPUTS

SDAS214C – DECEMBER 1982 – REVISED AUGUST 1995

- 3-State Outputs Drive Bus Lines or Buffer Memory Address Registers
- pnp Inputs Reduce dc Loading
- Package Options Include Plastic Small-Outline (DW) Packages, Ceramic Chip Carriers (FK), and Standard Plastic (N) and Ceramic (J) 300-mil DIPs

description

These octal buffers/drivers are designed specifically to improve both the performance and density of 3-state memory address drivers, clock drivers, and bus-oriented receivers and transmitters. When these devices are used with the 'ALS241, 'AS241A, 'ALS244, and 'AS244A, the circuit designer has a choice of selected combinations of inverting and noninverting outputs, symmetrical active-low output-enable (\overline{OE}) inputs, and complementary OE and \overline{OE} inputs. These devices feature high fan-out and improved fan-in.

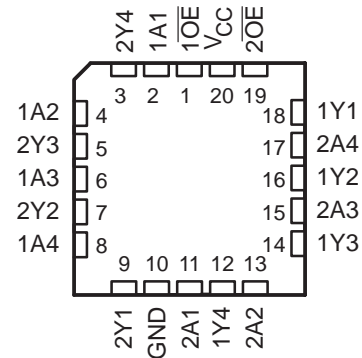
The -1 version of SN74ALS240A is identical to the standard version, except that the recommended maximum I_{OL} for the -1 version is 48 mA. There is no -1 version of the SN54ALS240A.

The SN54ALS240A and SN54AS240A are characterized for operation over the full military temperature range of -55°C to 125°C . The SN74ALS240A and SN74AS240A are characterized for operation from 0°C to 70°C .

SN54ALS240A, SN54AS240A . . . J PACKAGE
SN74ALS240A, SN74AS240A . . . DW OR N PACKAGE
(TOP VIEW)



SN54ALS240A, SN54AS240A . . . FK PACKAGE
(TOP VIEW)



FUNCTION TABLE
(each buffer)

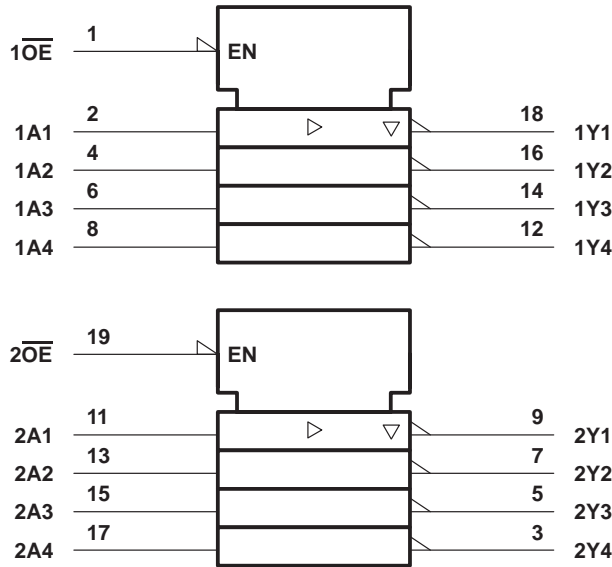
INPUTS		OUTPUT
\overline{OE}	A	Y
L	H	L
L	L	H
H	X	Z

SN54ALS240A, SN54AS240A, SN74ALS240A, SN74AS240A

OCTAL BUFFERS/DRIVERS WITH 3-STATE OUTPUTS

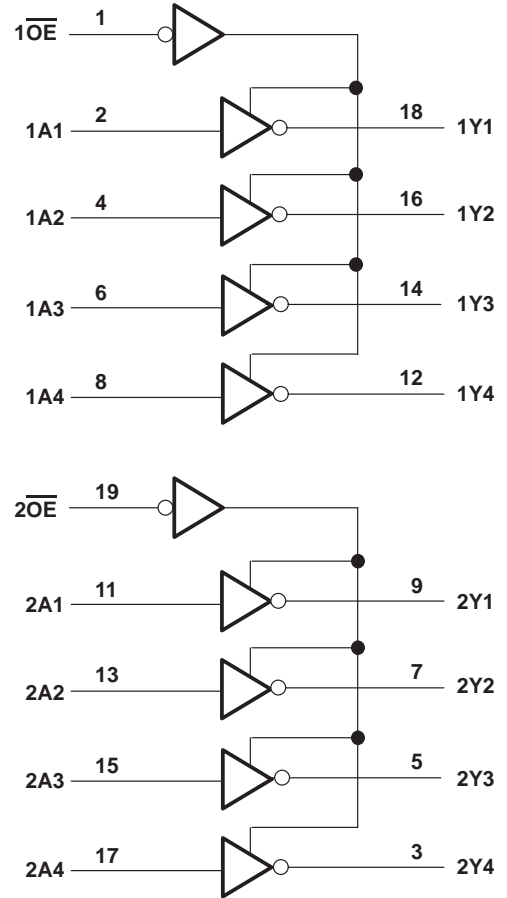
SDAS214C – DECEMBER 1982 – REVISED AUGUST 1995

logic symbol†



† This symbol is in accordance with ANSI/IEEE Std 91-1984 and IEC Publication 617-12.

logic diagram (positive logic)



absolute maximum ratings over operating free-air temperature range (unless otherwise noted)‡

Supply voltage, V_{CC}	7 V
Input voltage, V_I	7 V
Voltage applied to a disabled 3-state output	5.5 V
Operating free-air temperature range, T_A : SN54ALS240A	-55°C to 125°C
SN74ALS240A	0°C to 70°C
Storage temperature range	-65°C to 150°C

‡ Stresses beyond those listed under “absolute maximum ratings” may cause permanent damage to the device. These are stress ratings only, and functional operation of the device at these or any other conditions beyond those indicated under “recommended operating conditions” is not implied. Exposure to absolute-maximum-rated conditions for extended periods may affect device reliability.

SN54ALS240A, SN54AS240A, SN74ALS240A, SN74AS240A OCTAL BUFFERS/DRIVERS WITH 3-STATE OUTPUTS

SDAS214C – DECEMBER 1982 – REVISED AUGUST 1995

recommended operating conditions

		SN54ALS240A			SN74ALS240A			UNIT
		MIN	NOM	MAX	MIN	NOM	MAX	
V_{CC}	Supply voltage	4.5	5	5.5	4.5	5	5.5	V
V_{IH}	High-level input voltage	2			2			V
V_{IL}	Low-level input voltage			0.7			0.8	V
I_{OH}	High-level output current			-12			-15	mA
I_{OL}	Low-level output current			12			24	mA
							48†	
T_A	Operating free-air temperature	-55		125	0		70	°C

† Applies only to the -1 version and only if V_{CC} is between 4.75 V and 5.25 V

electrical characteristics over recommended operating free-air temperature range (unless otherwise noted)

PARAMETER	TEST CONDITIONS	SN54ALS240A			SN74ALS240A			UNIT	
		MIN	TYP‡	MAX	MIN	TYP‡	MAX		
V_{IK}	$V_{CC} = 4.5$ V, $I_I = -18$ mA			-1.2			-1.2	V	
V_{OH}	$V_{CC} = 4.5$ V to 5.5 V, $I_{OH} = -0.4$ mA	$V_{CC} - 2$			$V_{CC} - 2$			V	
	$V_{CC} = 4.5$ V	$I_{OH} = -3$ mA		2.4	3.2		2.4		3.2
		$I_{OH} = -12$ mA		2					
		$I_{OH} = -15$ mA				2			
V_{OL}	$V_{CC} = 4.5$ V	$I_{OL} = 12$ mA		0.25	0.4		0.25	0.4	
		$I_{OL} = 24$ mA				0.35	0.5		
		$I_{OL} = 48$ mA†				0.35	0.5		
I_{OZH}	$V_{CC} = 5.5$ V, $V_O = 2.7$ V			20			20	μA	
I_{OZL}	$V_{CC} = 5.5$ V, $V_O = 0.4$ V			-20			-20	μA	
I_I	$V_{CC} = 5.5$ V, $V_I = 7$ V			0.1			0.1	mA	
I_{IH}	$V_{CC} = 5.5$ V, $V_I = 2.7$ V			20			20	μA	
I_{IL}	$V_{CC} = 5.5$ V, $V_I = 0.4$ V			-0.1			-0.1	mA	
$I_{O§}$	$V_{CC} = 5.5$ V, $V_O = 2.25$ V	-20		-112	-30		-112	mA	
I_{CC}	$V_{CC} = 5.5$ V	Outputs high		4	11		4	11	
		Outputs low		13	23		13	23	
		Outputs disabled		14	25		14	25	

† Applies only to the -1 version and only if V_{CC} is between 4.75 V and 5.25 V

‡ All typical values are at $V_{CC} = 5$ V, $T_A = 25^\circ\text{C}$.

§ The output conditions have been chosen to produce a current that closely approximates one half of the true short-circuit output current, I_{OS} .

SN54ALS240A, SN54AS240A, SN74ALS240A, SN74AS240A

OCTAL BUFFERS/DRIVERS

WITH 3-STATE OUTPUTS

SDAS214C – DECEMBER 1982 – REVISED AUGUST 1995

switching characteristics (see Figure 1)

PARAMETER	FROM (INPUT)	TO (OUTPUT)	V _{CC} = 4.5 V to 5.5 V, C _L = 50 pF, R ₁ = 500 Ω, R ₂ = 500 Ω, T _A = MIN to MAX†				UNIT
			SN54ALS240A		SN74ALS240A		
			MIN	MAX	MIN	MAX	
t _{PLH}	A	Y	2	22	2	9	ns
t _{PHL}			2	11	2	9	
t _{PZH}	\overline{OE}	Y	4	34	5	13	ns
t _{PZL}			5	26	5	18	
t _{PHZ}	\overline{OE}	Y	1	15	2	10	ns
t _{PLZ}			3	24	3	12	

† For conditions shown as MIN or MAX, use the appropriate value specified under recommended operating conditions.

absolute maximum ratings over operating free-air temperature range (unless otherwise noted)‡

Supply voltage, V _{CC}	7 V
Input voltage, V _I	7 V
Voltage applied to a disabled 3-state output	5.5 V
Operating free-air temperature range, T _A : SN54AS240A	–55°C to 125°C
SN74AS240A	0°C to 70°C
Storage temperature range	–65°C to 150°C

‡ Stresses beyond those listed under “absolute maximum ratings” may cause permanent damage to the device. These are stress ratings only, and functional operation of the device at these or any other conditions beyond those indicated under “recommended operating conditions” is not implied. Exposure to absolute-maximum-rated conditions for extended periods may affect device reliability.

recommended operating conditions

	SN54AS240A			SN74AS240A			UNIT
	MIN	NOM	MAX	MIN	NOM	MAX	
V _{CC} Supply voltage	4.5	5	5.5	4.5	5	5.5	V
V _{IH} High-level input voltage	2			2			V
V _{IL} Low-level input voltage			0.8			0.8	V
I _{OH} High-level output current			–12			–15	mA
I _{OL} Low-level output current			48			64	mA
T _A Operating free-air temperature	–55		125	0		70	°C



SN54ALS240A, SN54AS240A, SN74ALS240A, SN74AS240A OCTAL BUFFERS/DRIVERS WITH 3-STATE OUTPUTS

SDAS214C – DECEMBER 1982 – REVISED AUGUST 1995

electrical characteristics over recommended operating free-air temperature range (unless otherwise noted)

PARAMETER	TEST CONDITIONS		SN54AS240A		SN74AS240A		UNIT	
			MIN	TYP†	MAX	MIN		TYP†
V_{IK}	$V_{CC} = 4.5\text{ V}$,	$I_I = -18\text{ mA}$			-1.2		-1.2	V
V_{OH}	$V_{CC} = 4.5\text{ V to }5.5\text{ V}$	$I_{OH} = -2\text{ mA}$	$V_{CC} - 2$		$V_{CC} - 2$		V	
		$I_{OH} = -3\text{ mA}$	2.4	3.4	2.4	3.4		
	$V_{CC} = 4.5\text{ V}$	$I_{OH} = -12\text{ mA}$	2.4					
		$I_{OH} = -15\text{ mA}$			2.4			
V_{OL}	$V_{CC} = 4.5\text{ V}$	$I_{OL} = 48\text{ mA}$	0.27	0.55			V	
		$I_{OL} = 64\text{ mA}$			0.31	0.55		
I_{OZH}	$V_{CC} = 5.5\text{ V}$,	$V_O = 2.7\text{ V}$			50	50	μA	
I_{OZL}	$V_{CC} = 5.5\text{ V}$,	$V_O = 0.4\text{ V}$			-50	-50	μA	
I_I	$V_{CC} = 5.5\text{ V}$,	$V_I = 7\text{ V}$			0.1	0.1	mA	
I_{IH}	$V_{CC} = 5.5\text{ V}$,	$V_I = 2.7\text{ V}$			20	20	μA	
I_{IL}	$V_{CC} = 5.5\text{ V}$,	$V_I = 0.4\text{ V}$			-1	-1	mA	
			A inputs			-0.5		-0.5
\overline{OE} inputs					-0.5	-0.5		
$I_{O\ddagger}$	$V_{CC} = 5.5\text{ V}$,	$V_O = 2.25\text{ V}$	-50	-150	-50	-150	mA	
I_{CC}	$V_{CC} = 5.5\text{ V}$	Outputs high	11	17	11	17	mA	
		Outputs low	51	75	51	75		
		Outputs disabled	24	38	24	38		

† All typical values are at $V_{CC} = 5\text{ V}$, $T_A = 25^\circ\text{C}$.

‡ The output conditions have been chosen to produce a current that closely approximates one half of the true short-circuit output current, I_{OS} .

switching characteristics (see Figure 1)

PARAMETER	FROM (INPUT)	TO (OUTPUT)	$V_{CC} = 4.5\text{ V to }5.5\text{ V}$, $C_L = 50\text{ pF}$, $R_1 = 500\ \Omega$, $R_2 = 500\ \Omega$, $T_A = \text{MIN to MAX}\S$				UNIT
			SN54AS240A		SN74AS240A		
			MIN	MAX	MIN	MAX	
t_{PLH}	A	Y	1	7	1	6.5	ns
t_{PHL}			1.2	6.5	1.2	6.5	
t_{PZH}	\overline{OE}	Y	1	7	1	6.4	ns
t_{PZL}			1.1	9.5	1.1	9	
t_{PHZ}	\overline{OE}	Y	1.2	5.5	1.2	5	ns
t_{PLZ}			1.5	12.5	1.5	9.5	

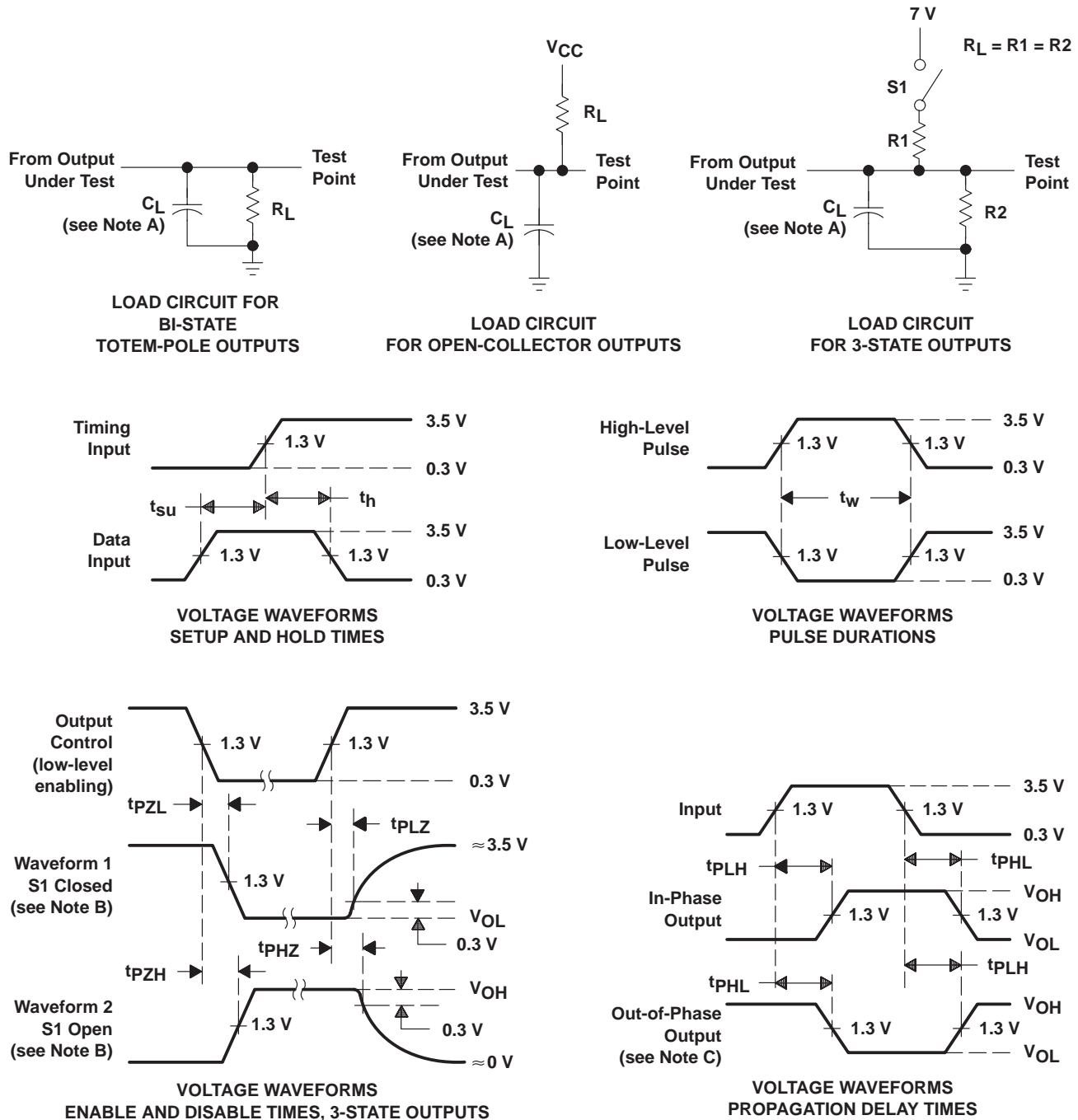
§ For conditions shown as MIN or MAX, use the appropriate value specified under recommended operating conditions.



SN54ALS240A, SN54AS240A, SN74ALS240A, SN74AS240A
 OCTAL BUFFERS/DRIVERS
 WITH 3-STATE OUTPUTS

SDAS214C – DECEMBER 1982 – REVISED AUGUST 1995

PARAMETER MEASUREMENT INFORMATION
 SERIES 54ALS/74ALS AND 54AS/74AS DEVICES



- NOTES: A. C_L includes probe and jig capacitance.
 B. Waveform 1 is for an output with internal conditions such that the output is low except when disabled by the output control. Waveform 2 is for an output with internal conditions such that the output is high except when disabled by the output control.
 C. When measuring propagation delay items of 3-state outputs, switch S1 is open.
 D. All input pulses have the following characteristics: $PRR \leq 1$ MHz, $t_r = t_f = 2$ ns, duty cycle = 50%.
 E. The outputs are measured one at a time with one transition per measurement.

Figure 1. Load Circuits and Voltage Waveforms

IMPORTANT NOTICE

Texas Instruments and its subsidiaries (TI) reserve the right to make changes to their products or to discontinue any product or service without notice, and advise customers to obtain the latest version of relevant information to verify, before placing orders, that information being relied on is current and complete. All products are sold subject to the terms and conditions of sale supplied at the time of order acknowledgement, including those pertaining to warranty, patent infringement, and limitation of liability.

TI warrants performance of its semiconductor products to the specifications applicable at the time of sale in accordance with TI's standard warranty. Testing and other quality control techniques are utilized to the extent TI deems necessary to support this warranty. Specific testing of all parameters of each device is not necessarily performed, except those mandated by government requirements.

CERTAIN APPLICATIONS USING SEMICONDUCTOR PRODUCTS MAY INVOLVE POTENTIAL RISKS OF DEATH, PERSONAL INJURY, OR SEVERE PROPERTY OR ENVIRONMENTAL DAMAGE ("CRITICAL APPLICATIONS"). TI SEMICONDUCTOR PRODUCTS ARE NOT DESIGNED, AUTHORIZED, OR WARRANTED TO BE SUITABLE FOR USE IN LIFE-SUPPORT DEVICES OR SYSTEMS OR OTHER CRITICAL APPLICATIONS. INCLUSION OF TI PRODUCTS IN SUCH APPLICATIONS IS UNDERSTOOD TO BE FULLY AT THE CUSTOMER'S RISK.

In order to minimize risks associated with the customer's applications, adequate design and operating safeguards must be provided by the customer to minimize inherent or procedural hazards.

TI assumes no liability for applications assistance or customer product design. TI does not warrant or represent that any license, either express or implied, is granted under any patent right, copyright, mask work right, or other intellectual property right of TI covering or relating to any combination, machine, or process in which such semiconductor products or services might be or are used. TI's publication of information regarding any third party's products or services does not constitute TI's approval, warranty or endorsement thereof.



Products

Development Tools

Applications

Search

 Advanced Search TI Home TI&ME Employment Tech Support Comments Site Map TI Global[>> Semiconductor Home](#) > [Products](#) > [Digital Logic](#) > [Buffers and Drivers](#) > [Inverting Buffers and Drivers](#) >

SN54ALS240A, OCTAL BUFFERS/DRIVERS WITH 3-STATE OUTPUTS

Device Status: Active

- > [Description](#)
- > [Features](#)
- > [Datasheets](#)
- > [Pricing/Samples/Availability](#)
- > [Application Notes](#)
- > [Related Documents](#)

Parameter Name	SN54ALS240A
Voltage Nodes (V)	5
Vcc range (V)	4.5 to 5.5
Input Level	TTL
Output Level	TTL
No. of Outputs	8
Logic	Inv

Description

These octal buffers/drivers are designed specifically to improve both the performance and density of 3-state memory address drivers, clock drivers, and bus-oriented receivers and transmitters. When these devices are used with the ALS241 , AS241A , ALS244 , and AS244A , the circuit designer has a choice of selected combinations of inverting and noninverting outputs, symmetrical active-low output-enable (OE) inputs, and complementary OE and $\overline{\text{OE}}$ inputs. These devices feature high fan-out and improved fan-in.

The -1 version of SN74ALS240A is identical to the standard version, except that the recommended maximum I_{OL} for the -1 version is 48 mA. There is no -1 version of the SN54ALS240A.

The SN54ALS240A and SN54AS240A are characterized for operation over the full military temperature range of -55°C to 125°C . The SN74ALS240A and SN74AS240A are characterized for operation from 0°C to 70°C .

Features

- 3-State Outputs Drive Bus Lines or Buffer Memory Address Registers
- pnp Inputs Reduce dc Loading
- Package Options Include Plastic Small-Outline (DW) Packages, Ceramic Chip Carriers (FK), and Standard Plastic (N) and Ceramic (J) 300-mil DIPs

To view the following documents, [Acrobat Reader 3.x](#) is required.

To download a document to your hard drive, right-click on the link and choose 'Save'.

Datasheets

Full datasheet in Acrobat PDF: [sdas214c.pdf](#) (110 KB)

Full datasheet in Zipped PostScript: [sdas214c.psz](#) (109 KB)

Pricing/Samples/Availability

<u>Orderable Device</u>	<u>Package</u>	<u>Pins</u>	<u>Temp (°C)</u>	<u>Status</u>	<u>Price/unit USD (100-999)</u>	<u>Pack Qty</u>	<u>DSCC Number</u>	<u>Availability / Samples</u>
JM38510/38301B2A	FK	20	-55 TO 125	ACTIVE	20.29	1		Check stock or order
JM38510/38301BRA	J	20	-55 TO 125	ACTIVE	14.46	1		Check stock or order
SN54ALS240AJ	J	20	-55 TO 125	ACTIVE	5.01	1		Check stock or order
SNJ54ALS240AFK	FK	20	-55 TO 125	ACTIVE	11.52	1		Check stock or order
SNJ54ALS240AJ	J	20	-55 TO 125	ACTIVE	5.91	1		Check stock or order
SNJ54ALS240AW	W	20	-55 TO 125	ACTIVE	12.53	1	5962-8859101SA	Check stock or order

Application Reports

View Application Reports for [Digital Logic](#)

- [ADVANCED SCHOTTKY \(ALS AND AS\) LOGIC FAMILIES \(SDAA010 - Updated: 02/05/1999\)](#)
- [BUS-INTERFACE DEVICES WITH OUTPUT-DAMPING RESISTORS OR REDUCED-DRIVE OUTPUTS \(SCBA012A - Updated: 08/01/1997\)](#)
- [DESIGNING WITH LOGIC \(SDYA009C - Updated: 06/01/1997\)](#)
- [INPUT AND OUTPUT CHARACTERISTICS OF DIGITAL INTEGRATED CIRCUITS \(SDYA010 - Updated: 02/05/1999\)](#)
- [LIVE INSERTION \(SDYA012 - Updated: 02/05/1999\)](#)

Related Documents

- [DOCUMENTATION RULES \(SAP\) AND ORDERING INFORMATION \(SZZU001B, 4 KB - Updated: 05/06/1999\)](#)
- [LOGIC SELECTION GUIDE SECOND HALF 2000 \(SDYU001N, 5035 KB - Updated: 04/17/2000\)](#)

- [MORE POWER IN LESS SPACE - TECHNICAL ARTICLE \(SCAU001A, 850 KB - Updated: 03/01/1996\)](#)

Table Data Updated on: 8/8/2000



Products

Development Tools

Applications

Search

- Advanced Search
- TI Home
- TI&ME
- Employment
- Tech Support
- Comments
- Site Map
- TI Global

>> [Semiconductor Home](#) > [Products](#) > [Digital Logic](#) > [Buffers and Drivers](#) > [Inverting Buffers and Drivers](#) >

SN54AS240A, OCTAL BUFFERS/DRIVERS WITH 3-STATE OUTPUTS

Device Status: Active

- > [Description](#)
- > [Features](#)
- > [Datasheets](#)
- > [Pricing/Samples/Availability](#)
- > [Application Notes](#)
- > [Related Documents](#)

Parameter Name	SN54AS240A
Voltage Nodes (V)	5
Vcc range (V)	4.5 to 5.5
Input Level	TTL
Output Level	TTL
No. of Outputs	8
Logic	Inv

Description

These octal buffers/drivers are designed specifically to improve both the performance and density of 3-state memory address drivers, clock drivers, and bus-oriented receivers and transmitters. When these devices are used with the ALS241 , AS241A , ALS244 , and AS244A , the circuit designer has a choice of selected combinations of inverting and noninverting outputs, symmetrical active-low output-enable (OE) inputs, and complementary OE and $\overline{\text{OE}}$ inputs. These devices feature high fan-out and improved fan-in.

The -1 version of SN74ALS240A is identical to the standard version, except that the recommended maximum I_{OL} for the -1 version is 48 mA. There is no -1 version of the SN54ALS240A.

The SN54ALS240A and SN54AS240A are characterized for operation over the full military temperature range of -55°C to 125°C . The SN74ALS240A and SN74AS240A are characterized for operation from 0°C to 70°C .

Features

- 3-State Outputs Drive Bus Lines or Buffer Memory Address Registers
- pnp Inputs Reduce dc Loading
- Package Options Include Plastic Small-Outline (DW) Packages, Ceramic Chip Carriers (FK), and Standard Plastic (N) and Ceramic (J) 300-mil DIPs

To view the following documents, [Acrobat Reader 3.x](#) is required.

To download a document to your hard drive, right-click on the link and choose 'Save'.

Datasheets

Full datasheet in Acrobat PDF: [sdas214c.pdf](#) (110 KB)

Full datasheet in Zipped PostScript: [sdas214c.psz](#) (109 KB)

Pricing/Samples/Availability

<u>Orderable Device</u>	<u>Package</u>	<u>Pins</u>	<u>Temp (°C)</u>	<u>Status</u>	<u>Price/unit USD (100-999)</u>	<u>Pack Qty</u>	<u>DSCC Number</u>	<u>Availability / Samples</u>
SNJ54AS240AFK	FK	20	-55 TO 125	ACTIVE	12.11	1		Check stock or order
SNJ54AS240AJ	J	20	-55 TO 125	ACTIVE	6.60	1		Check stock or order
SNJ54AS240AW	W	20	-55 TO 125	ACTIVE	15.87	1		Check stock or order

Application Reports

View Application Reports for [Digital Logic](#)

- [ADVANCED SCHOTTKY \(ALS AND AS\) LOGIC FAMILIES \(SDAA010 - Updated: 02/05/1999\)](#)
- [ADVANCED SCHOTTKY LOAD MANAGEMENT \(SDYA016 - Updated: 02/05/1999\)](#)
- [DESIGNING WITH LOGIC \(SDYA009C - Updated: 06/01/1997\)](#)
- [INPUT AND OUTPUT CHARACTERISTICS OF DIGITAL INTEGRATED CIRCUITS \(SDYA010 - Updated: 02/05/1999\)](#)
- [LIVE INSERTION \(SDYA012 - Updated: 02/05/1999\)](#)

Related Documents

- [DOCUMENTATION RULES \(SAP\) AND ORDERING INFORMATION \(SZZU001B, 4 KB - Updated: 05/06/1999\)](#)
- [LOGIC SELECTION GUIDE SECOND HALF 2000 \(SDYU001N, 5035 KB - Updated: 04/17/2000\)](#)
- [MORE POWER IN LESS SPACE - TECHNICAL ARTICLE \(SCAU001A, 850 KB - Updated: 03/01/1996\)](#)

Table Data Updated on: 8/8/2000