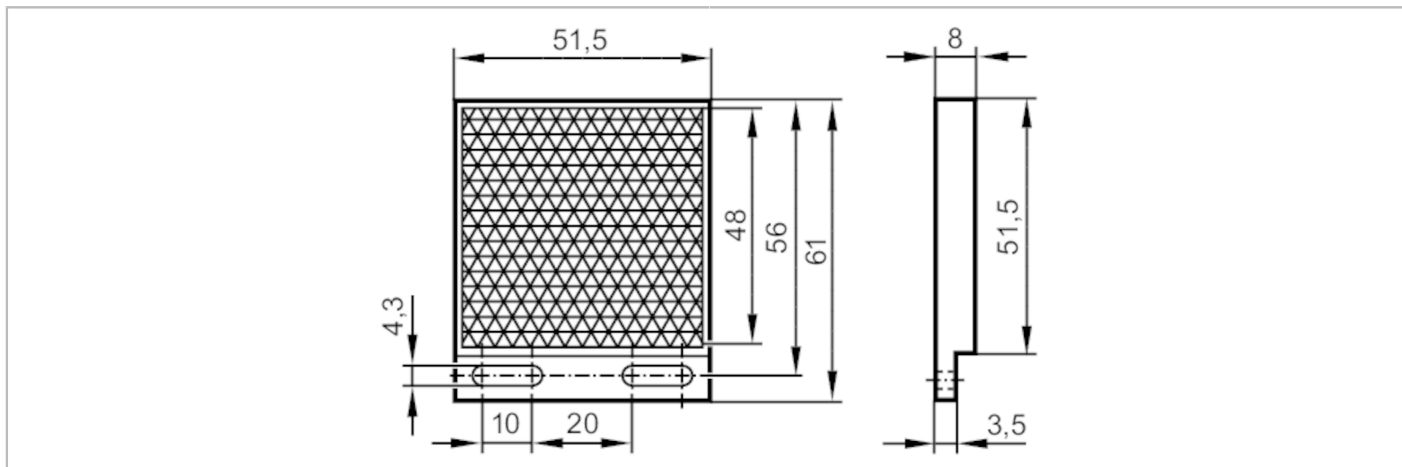


# E20744



## Reflector for retro-reflective sensors

REFLECTOR TS-48X48



| Application              |  |
|--------------------------|--|
| Design                   | rectangular, for red light and infrared light retro-reflective sensors |
| Operating conditions     |  |
| Ambient temperature [°C] | -10...60   |
| Mechanical data          |  |
| Weight [g]               | 16   |
| Dimensions [mm]          | 61 x 51,5 x 8  |
| Reflector surface [mm]   | 48 x 48  |
| Materials                | front panel: PMMA; base: ABS   |
| Remarks                  |  |
| Pack quantity            | 1 pcs.   |