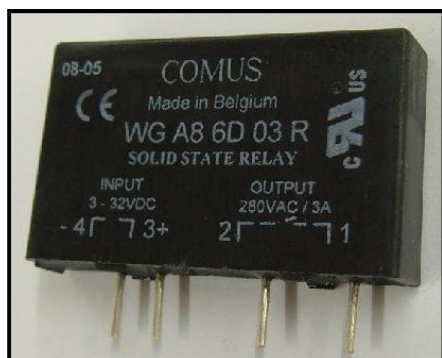


Solid State Relays

Datasheet WG A8 6D

Comus International Bvba
 Overhaamlaan 40
 3700 Tongeren, Belgium
 Phone: +32 12390400
 Fax: +32 12235754
 Email: info@comus.be
 www.comus.be



Features

Switching Zero cross & Random

Output Triac

Input DC with constant current control

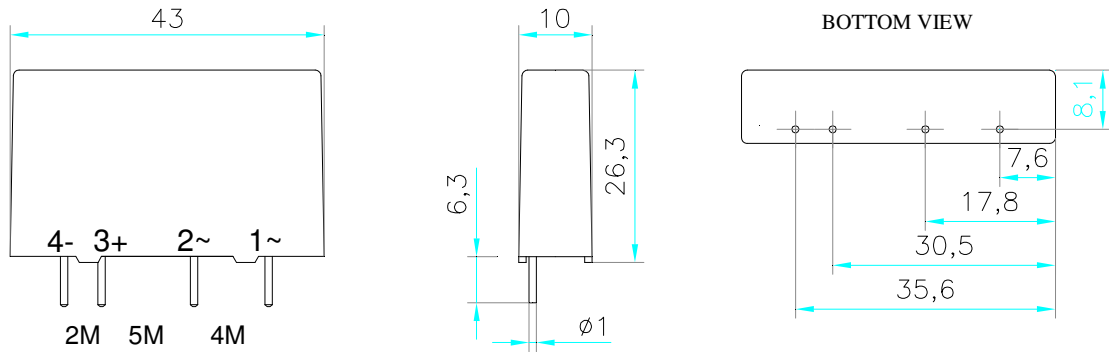
Applications

Resistive and inductive loads with $\cos\phi > 0.85$ (Z-type)
 inductive load with $\cos\phi > 0.65$ (R-type)

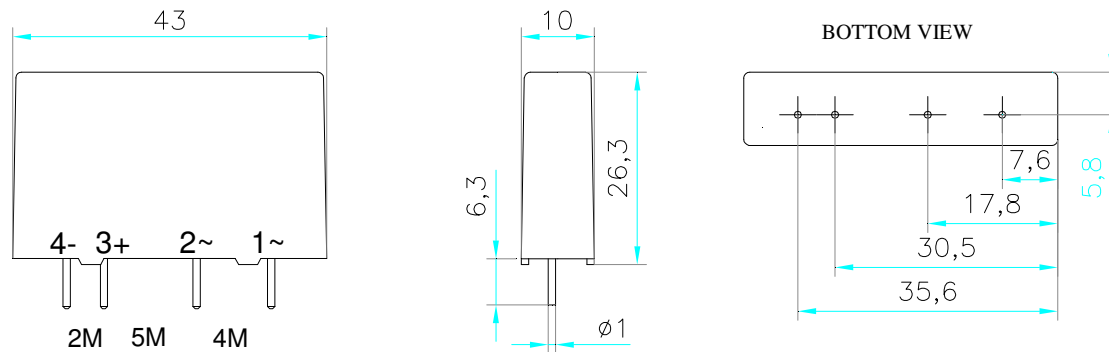
Technical data

WG A8 6D...	03 Z	03 R	05 Z	05 R
Input circuit				
Control voltage range	3...32 VDC			
Control current max	14 mA			
Turn-off voltage min..	1 VDC			
Input resistance	Constant current			
Output circuit				
Load voltage range	24 (Z-type) / 48 (R-type)...280 VAC			
Peak-off state voltage	600 V _{drm}			
Off-state leakage current	5 mA eff.		8 mA eff.	
Load current range	0,05...3 A		0,1...5 A	
Surge current 1 half wave	100 A _{peak}			
I ² t for fusing	50 A ² s			
On-state voltage	1,6 V _{peak}			
Off-state (static) dv/dt	500 V/μs			
Snubber	47 Ω / 22 nF		47 Ω / 47 nF	
General data				
Turn-on time max.	11 ms	0,1 ms	11 ms	0,1 ms
Turn-off time max.	11 ms			
Line frequency range.	47...63 Hz			
Isolation volt. between input/output	4.000 V			
Isolation volt. between input-output/base	—			
Isolation resistance	50 MΩ			
Operation temperature	-20...+80 °C			
Recommended varistor	SIOV-S14 K230			
Approvals	UL			

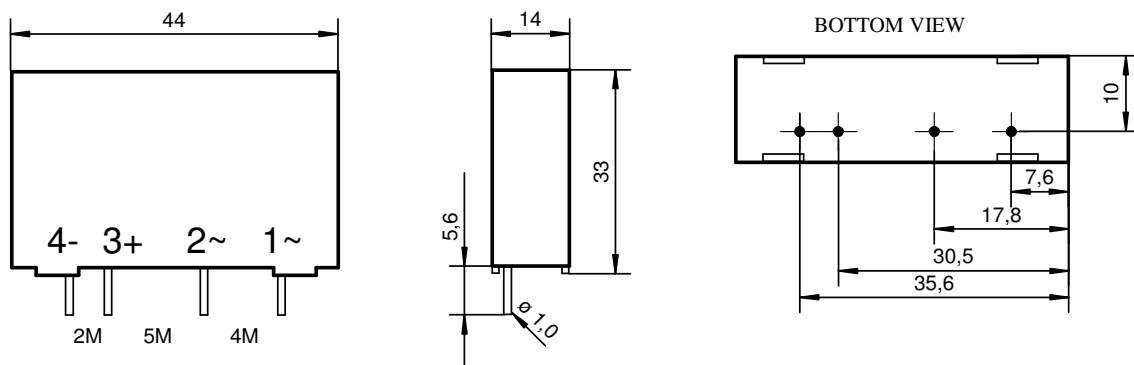
Dimensions in mm WG A8 6D 03 Z/R



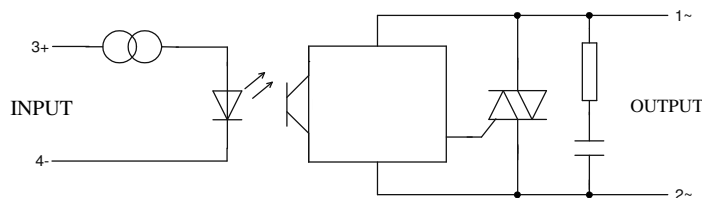
Dimensions in mm WG A8 6D 03 Z/R - S



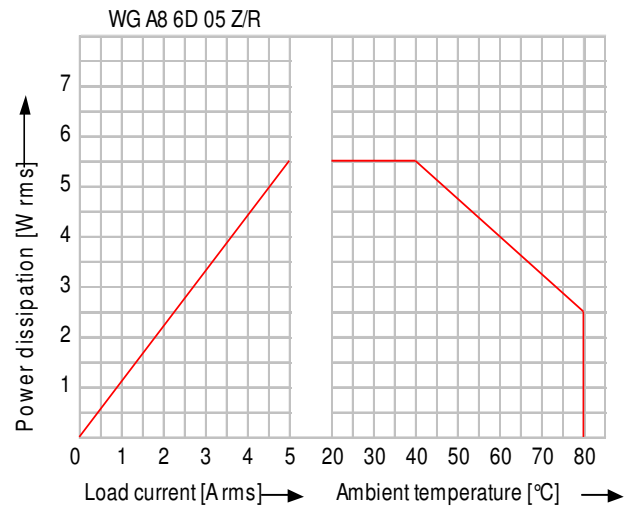
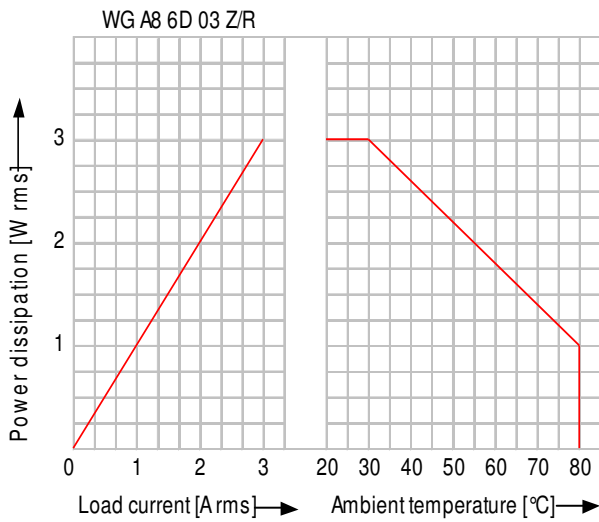
Dimensions in mm WG A8 6D 05 Z/R



Circuit diagram



Derating-diagramme



Housing specifications

Weight	Approx. 20 g
Housing material	Glass filled polyester
Potting compound	Thermally conductive epoxy
Terminals	Solder pins

Ordering

