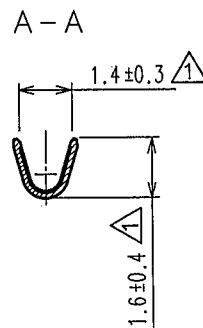
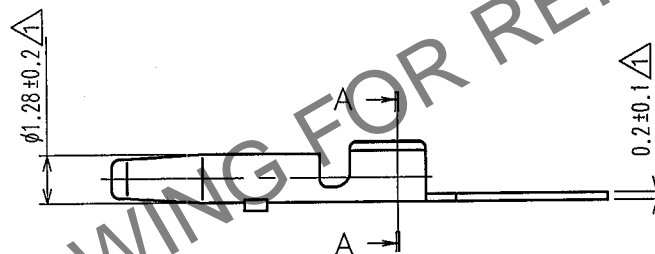
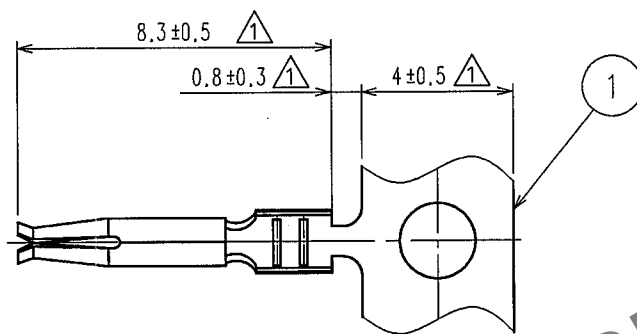


Jun.1.2024 Copyright 2024 HIROSE ELECTRIC CO., LTD. All Rights Reserved.  
 In case of consideration for using Automotive equipment / device which demand high reliability, kindly contact our sales window correspondents.

| 1            |                                  |              | 2          |             |              | 3                                |          |            | 4           |              |                                  |          |            |             |
|--------------|----------------------------------|--------------|------------|-------------|--------------|----------------------------------|----------|------------|-------------|--------------|----------------------------------|----------|------------|-------------|
| △の数<br>COUNT | 訂正記事<br>DESCRIPTION OF REVISIONS | 設計<br>BY     | 検図<br>CHKD | 年月日<br>DATE | △の数<br>COUNT | 訂正記事<br>DESCRIPTION OF REVISIONS | 設計<br>BY | 検図<br>CHKD | 年月日<br>DATE | △の数<br>COUNT | 訂正記事<br>DESCRIPTION OF REVISIONS | 設計<br>BY | 検図<br>CHKD | 年月日<br>DATE |
| 1            | 7                                | DIS-T-000418 | T.S        | N.N         | 07.4.5       |                                  |          |            |             |              |                                  |          |            |             |
|              |                                  |              |            |             |              |                                  |          |            |             |              |                                  |          |            |             |
|              |                                  |              |            |             |              |                                  |          |            |             |              |                                  |          |            |             |



注1. 1リール10000本巻き。

NOTE1. ONE REEL CONSISTS OF 10000 PIECES OF CONTACTS.

|                          |   |  |                               |                |   |                |                |   |   |
|--------------------------|---|--|-------------------------------|----------------|---|----------------|----------------|---|---|
| 1                        | りん青銅<br>PHOSPHOR BRONZE                 | すすめっき<br>TIN PLATED, T=0.2                 |                               |                |   |                |                |   |   |
| 部番<br>NO.                | 材質<br>MATERIAL                          | 処理, 備考<br>FINISH, REMARKS                  | 部番<br>NO.                     | 材質<br>MATERIAL | 処理, 備考<br>FINISH, REMARKS   |                |                |   |   |
| 備考<br>REMARKS            |   |  | 製図<br>DRAWN                   | 設計<br>DESIGNED | 検図<br>CHECKED   | 承認<br>APPROVED | 出図<br>RELEASED |   |   |
|                          |   |  |                               |                |   |                |                |   |   |
| 旧製品コード<br>CODE NO. (OLD) | <br>尺度 SCALE<br>5 : 1<br>単位 UNITS<br>mm | 図番 DRAWING NO.<br>EDC4-165984              | 製品名 PART NO.<br>GT16G-2428SCF |                | 製品コード CODE NO.<br>CL766-0022-2  |                |                |   |   |
|                          |   | <br>ヒロセ電機株式会社<br>HIROSE ELECTRIC CO., LTD. |                               |                | <table border="1" style="width: 100%; text-align: center;"> <tr> <td>1</td> <td>1</td> </tr> </table> |                |                | 1 | 1 |
| 1                        | 1                                       |  |                               |                |   |                |                |   |   |

|    |
|----|
| TO |
|    |
|    |
|    |

