

Mini / EvoSIGNAL

Mini TwinFLASH Combi 115-230VAC CL



Part No.:	460.420.60
Series:	EvoSIGNAL



MECHANICAL DATA

Height	85 mm
Diameter	62 mm
Materials	PC PC/ABS
Dome colour	Clear
Housing colour	Grey
Protection category	IP66
Connection	Push-in terminal
cross-sectional area minimum	0,25mm ² / 24AWG
cross-sectional area maximum	1,50mm ² / 16AWG
Type of fixing	Adapter required
Working temperature minimum	-30°C
Working temperature maximum	+60°C
Weight with packaging	100 g
Product weight	78 g

ELECTRICAL DATA

Operating voltage	115-230V
Operating voltage type	AC
Operating voltage frequency	50Hz at 230V 60Hz at 115V
Operating voltage tolerance	+/- 10%
Rated operational voltage	230 VAC
Rated operational current	60 mA
Rated inrush current	2000 mA
Protection class	Protection class 2
Pollution degree	3
Overtoltage category	II
Isolation voltage	Ui = 250V; Uimp = 2.500V

OPTICAL DATA

Light source	LED
Light colour	White
Optical signal image	EVS Flash TwinFlash
Flash frequency	1 Hz
Service life optical	50,000 h minimum
Pulse- & pause Duration [ms]	28ON, 165OFF, 28ON, 744OFF



For additional installation and mounting information, refer to the appropriate user guide at www.werma.com. This printed copy is for information only and is subject to alteration.

Mini / EvoSIGNAL

Mini TwinFLASH Combi 115-230VAC CL

ACOUSTIC DATA	
Volume (max) at 1m distance	95,0 dB (A)
Acoustic signal image	Continuous tone Pulse tone
Number of tones	2 tone
Audio frequency	4000 Hz
Acoustic service life	5,000 h minimum

APPROVAL DATA	
Conforms with CE	Yes
Conforms with RoHS directive	Yes
WEEE	Yes
Conforms with ATEX-directive	No
Conforms with CCC	Yes
Conforms with UL	cULus
UL Type Rating	Type 12
Conforms with FCC	No
Conforms with IC	No
EAC certificate available	Yes
Conforms with UKCA (Importer)	Yes (WERMA (UK) Ltd.)
Conforms with AS-I	No
ICAO Certification	No
Conforms with DNV	No
Conforms with RoHS CN	No
Conforms with VdS	No
MTTF-value [years]	389

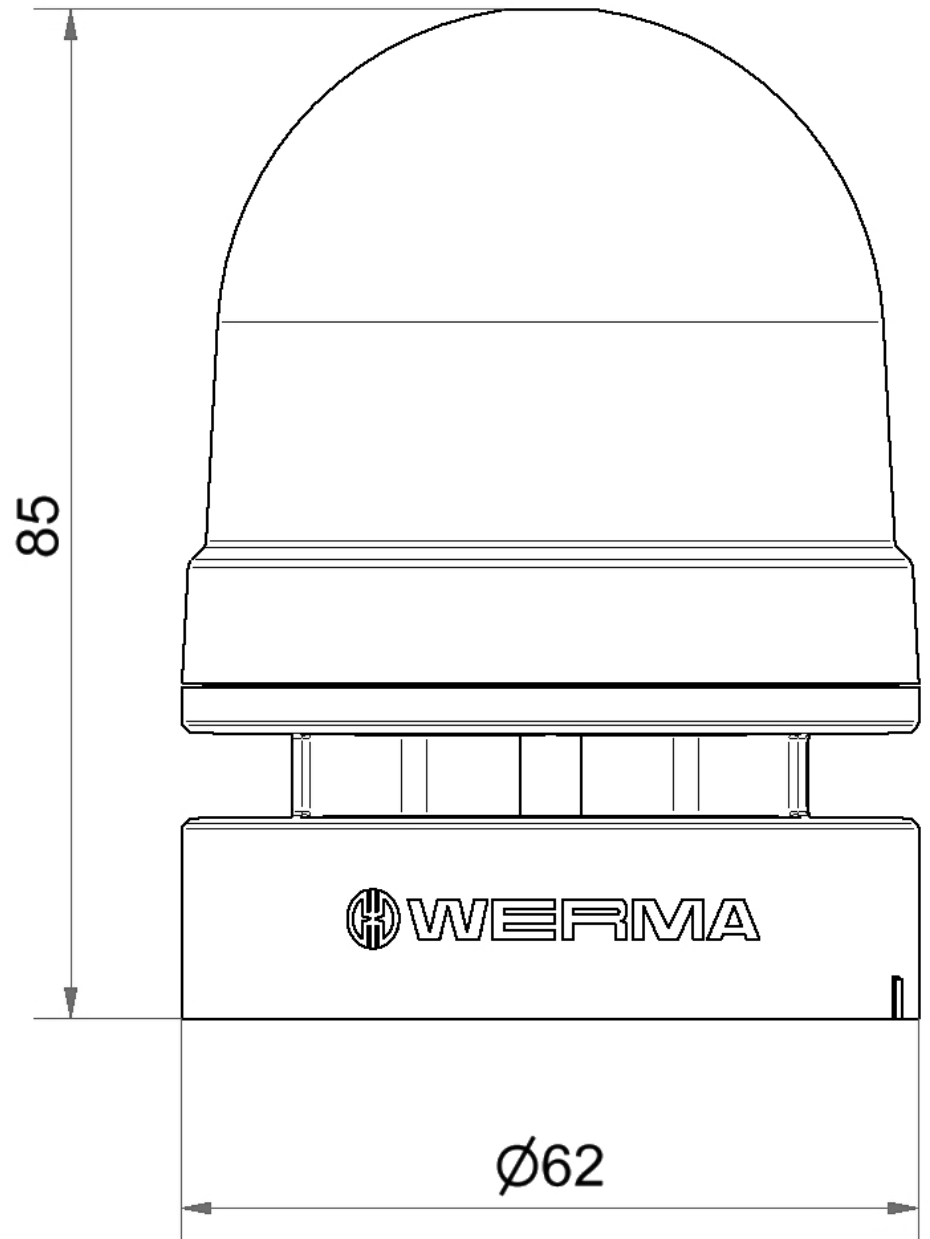


For additional installation and mounting information, refer to the appropriate user guide at www.werma.com. This printed copy is for information only and is subject to alteration.

Mini / EvoSIGNAL

Mini TwinFLASH Combi 115-230VAC CL

DRAWING



For additional installation and mounting information, refer to the appropriate user guide at www.werma.com. This printed copy is for information only and is subject to alteration.