

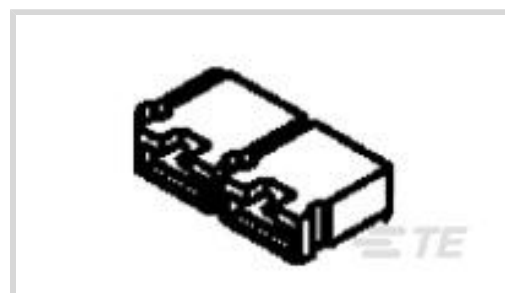
AMP

TE Internal #: 827914-3

AMPMODU MOD IV, Open Top, 2 Position, 2.54 mm [.1 in]
Centerline, Signal, -40 – 85 °C [-40 – 185 °F], Board-to-Board
Jumpers & Shunts

[View on TE.com >](#)

Connectors > PCB Connectors > Board-to-Board Connectors > Board-to-Board Jumpers & Shunts



Shunt Type: AMPMODU MOD IV

Shunt Style: Open Top

Number of Positions: 2

Centerline (Pitch): 2.54 mm [.1 in]

Contact Current Rating (Max): 3 A

Features

Product Type Features

| | |
|-----------------------------------|-----------------------|
| Connector System | Board-to-Board |
| Connector & Contact Terminates To | Printed Circuit Board |

Configuration Features

| | |
|---------------------|---|
| Number of Positions | 2 |
|---------------------|---|

Body Features

| | |
|-----------------------|---------|
| Handle | Without |
| Primary Product Color | Black |

Contact Features

| | |
|--|------------------|
| Contact Mating Area Plating Material Thickness | 3 µm[118.1 µin] |
| Contact Mating Area Plating Material | Tin |
| Contact Base Material | Beryllium Copper |
| Shunt Type | AMPMODU MOD IV |
| Shunt Style | Open Top |
| Contact Current Rating (Max) | 3 A |

Housing Features

| | |
|--------------------|----------------|
| Housing Material | PBT GF |
| Centerline (Pitch) | 2.54 mm[.1 in] |

Dimensions



| | |
|----------------|----------------|
| Product Height | 6 mm [.236 in] |
|----------------|----------------|

Usage Conditions

| | |
|-----------------------------|----------------------------|
| Operating Temperature Range | -40 – 85 °C [-40 – 185 °F] |
|-----------------------------|----------------------------|

Operation/Application

| | |
|---------------------|--------|
| Circuit Application | Signal |
|---------------------|--------|

Industry Standards

| | |
|---|------------------------------|
| Compatible With Approved Standards Products | CSA Certified, UL Recognized |
|---|------------------------------|

| | |
|------------------------|----------|
| UL Flammability Rating | UL 94V-0 |
|------------------------|----------|

Packaging Features

| | |
|--------------------------|-------------|
| Jumper & Shunt Packaging | Loose Piece |
|--------------------------|-------------|

| | |
|--------------------|------|
| Packaging Quantity | 1400 |
|--------------------|------|

| | |
|------------------|-----|
| Packaging Method | Box |
|------------------|-----|

Product Compliance

[For compliance documentation, visit the product page on TE.com>](#)

| | |
|------------------------------|-----------|
| EU RoHS Directive 2011/65/EU | Compliant |
|------------------------------|-----------|

| | |
|-----------------------------|-----------|
| EU ELV Directive 2000/53/EC | Compliant |
|-----------------------------|-----------|

| | |
|---|---|
| China RoHS 2 Directive MIIT Order No 32, 2016 | No Restricted Materials Above Threshold |
|---|---|

| | |
|--|---|
| EU REACH Regulation (EC) No. 1907/2006 | Current ECHA Candidate List: JUNE 2024 (241) Candidate List Declared Against: JUNE 2024 (241) Does not contain REACH SVHC |
|--|---|

| | |
|-----------------|--|
| Halogen Content | Not Low Halogen - contains Br or Cl > 900 ppm. |
|-----------------|--|

| | |
|---------------------------|--|
| Solder Process Capability | Not applicable for solder process capability |
|---------------------------|--|

Product Compliance Disclaimer

This information is provided based on reasonable inquiry of our suppliers and represents our current actual knowledge based on the information they provided. This information is subject to change. The part numbers that TE has identified as EU RoHS compliant have a maximum concentration of 0.1% by weight in homogenous materials for lead, hexavalent chromium, mercury, PBB, PBDE, DBP, BBP, DEHP, DIBP, and 0.01% for cadmium, or qualify for an exemption to these limits as defined in the Annexes of Directive 2011/65/EU (RoHS2). Finished electrical and electronic equipment products will be CE marked as required by Directive 2011/65/EU. Components may not be CE marked. Additionally, the part numbers that TE has identified as EU ELV compliant have a maximum concentration of 0.1% by weight in homogenous materials for lead, hexavalent chromium, and mercury, and 0.01% for cadmium, or qualify for an exemption to these limits as defined in the Annexes of Directive 2000/53/EC (ELV). Regarding the REACH Regulation, the information TE provides on SVHC in articles for this part number is based on the latest European Chemicals Agency (ECHA) 'Guidance on requirements for substances in articles' posted at this URL: <https://echa.europa.eu/guidance-documents/guidance-on-reach>

Compatible Parts



TE Part # 826629-2
2P AMPMODU II

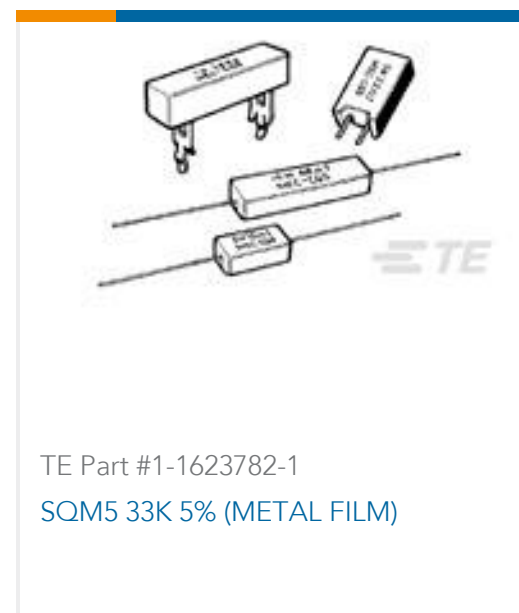
Customers Also Bought



TE Part #3-1415042-1
Force Guided Relay, DIN-rail



TE Part #5-1879021-1
SMW3 12R 5%



TE Part #1-1623782-1
SQM5 33K 5% (METAL FILM)



TE Part #1658197-1
SFP, 20 POSN, 0.8MM PITCH, SUR



TE Part #2-1393240-3
RT33K012



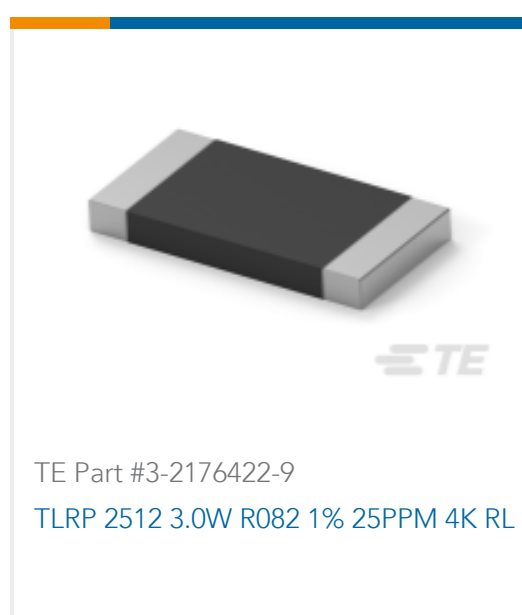
TE Part #4-1879208-3
CPF 0402 560R 0.1% 25PPM 1K RL



TE Part #1-1879417-6
CPF 0603 750K 0.1% 25PPM 1K RL



TE Part #7-6437144-0
FSN-23A-6



TE Part #3-2176422-9
TLRP 2512 3.0W R082 1% 25PPM 4K RL

Documents

[CAD Files](#)

[3D PDF](#)

[3D](#)

[Customer View Model](#)

[ENG_CVM_CVM_827914-3_2.2d_dxf.zip](#)

English



Customer View Model

[ENG_CVM_CVM_827914-3_2.3d_igs.zip](#)

English

Customer View Model

[ENG_CVM_CVM_827914-3_2.3d_stp.zip](#)

English

By downloading the CAD file I accept and agree to the [Terms and Conditions](#) of use.

Product Specifications

[Product Specification](#)

English