

Jul.1.2024 Copyright 2024 HIROSE ELECTRIC CO., LTD. All Rights Reserved.  
 In case of consideration for using Automotive equipment / device which demand high reliability, kindly contact our sales window correspondents.

1 2 3 4 5 6 7 8

A

B

C

D

E

F

A

B

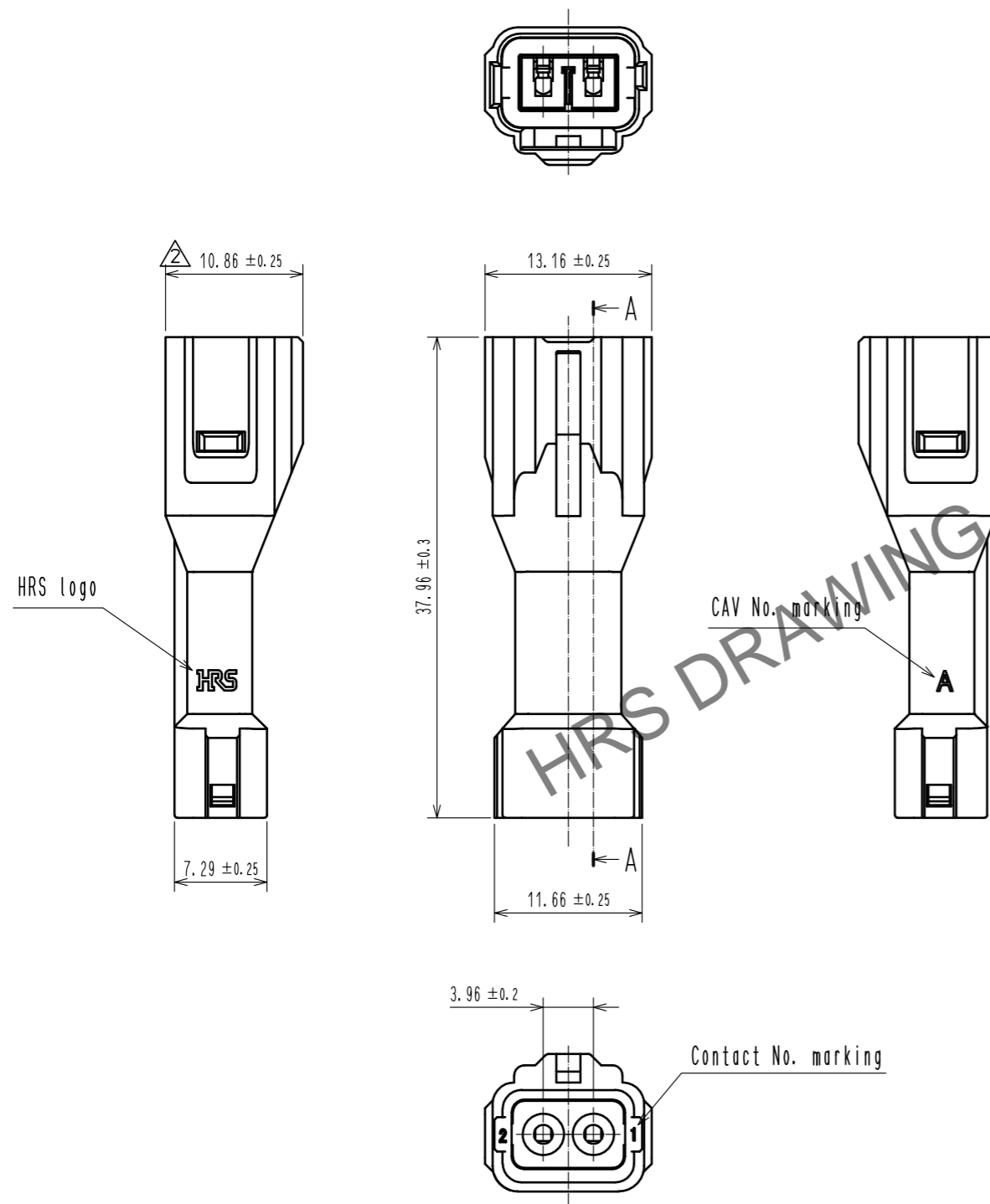
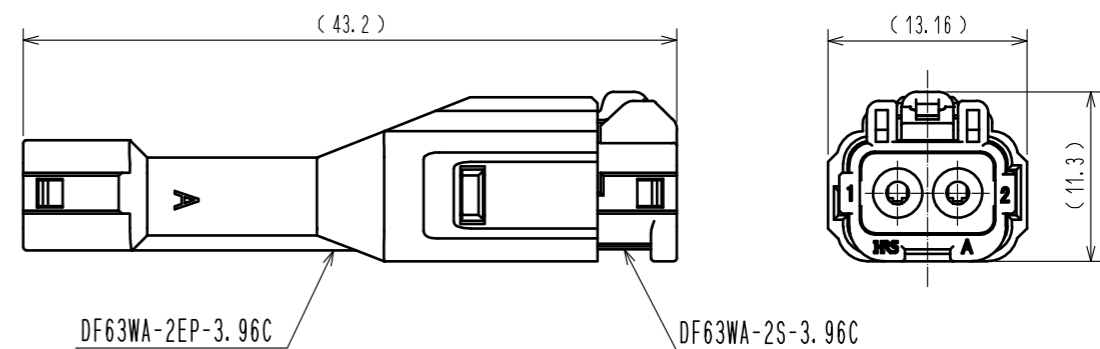
C

D

E

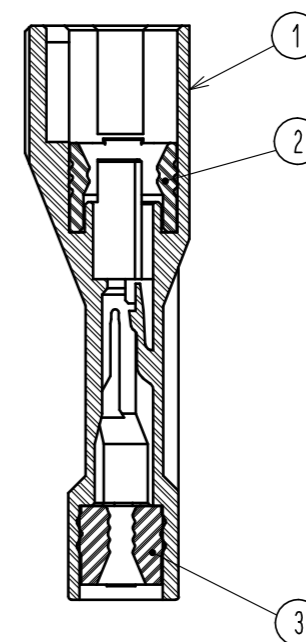
F

Mated figure



Lot marking

A-A



Notes.

1. 100 pcs. / pack
2. Applicable cable dia :  $\phi 1.7 \sim \phi 2.4$ mm
3. The dimensions in parenthesis are reference dimensions.
4. Always refer to the manuals below for operation of this product.  
For cable assembly / ETAD-H0814

1	PBT	UL94V-0 (Black)	3	Silicone rubber	Green
2			2	Silicone rubber	Green
NO.	MATERIAL	FINISH . REMARKS	NO.	MATERIAL	FINISH . REMARKS
UNITS		SCALE	COUNT	DESCRIPTION OF REVISIONS	
mm		2 : 1	1	DESIGNED	CHECKED
				TO. HORII	HK. UMEHARA
				DATE	15. 10. 07
				APPROVED : HK. UMEHARA	15. 03. 10
				CHECKED : HK. UMEHARA	15. 03. 10
				DESIGNED : TO. HORII	15. 03. 10
				DRAWN : TO. HORII	15. 03. 10
<b>HRS</b> HIROSE ELECTRIC CO., LTD.			DRAWING NO.		EDC-359251-00-00
			PART NO.		DF63WA-2EP-3.96C
			CODE NO.		CL680-0609-0-00
					1/1

FORM HC0011-5-7 1 2 3 4 5 6 7 8