

DO NOT SCALE FROM THIS PRINT

USB-A-S-X-X-TH-X

TYPE
-A

CONFIGURATION
-S: SINGLE

E&I OPTION
-R: RoHS COMPLIANT

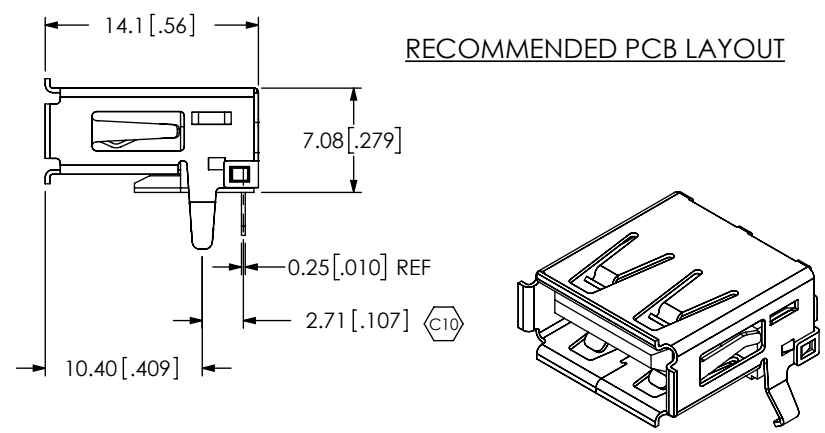
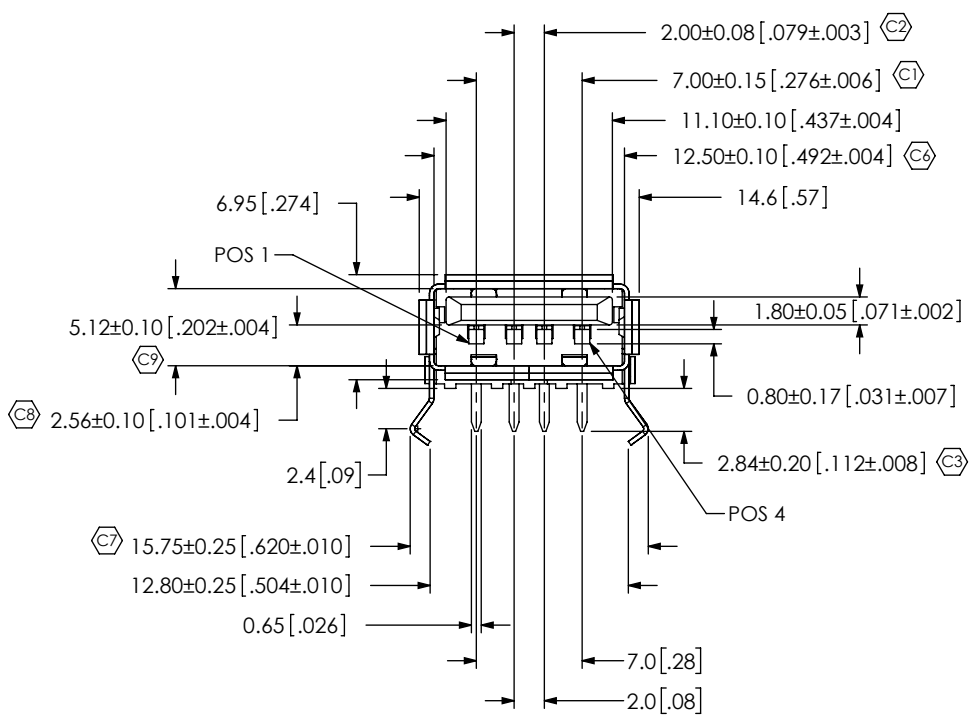
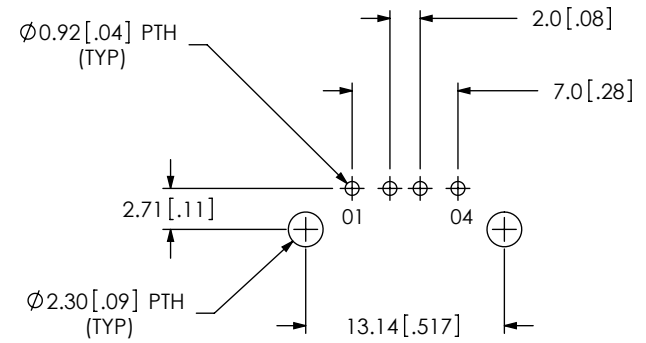
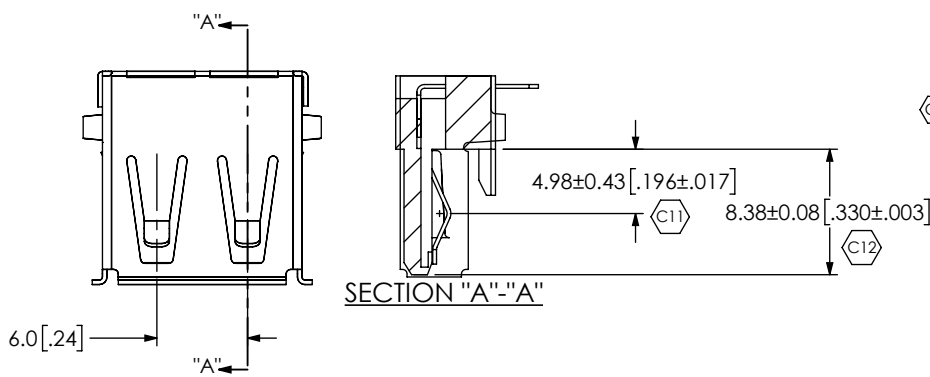
TERMINATION
-TH: THRU HOLE

COLOR
-B: BLACK
-W: WHITE

PLATING SPECIFICATION

C5 -F: GOLD FLASH ON MATING AREA
MATTE TIN ON TAILS

-S: SELECTIVE, .000030 GOLD ON MATING AREA
MATTE TIN ON TAILS



- NOTES:
1. C REPRESENTS A CRITICAL DIMENSION.
 2. NOTE DELETED.
 3. PARTS TO BE PACKAGED IN TRAYS

<p>UNLESS OTHERWISE SPECIFIED, DIMENSIONS ARE IN MM(IN).</p> <p>TOLERANCES ARE:</p> <p>DECIMALS ANGLES</p> <p>.X: ±.3 [.01] 2°</p> <p>.XX: ±.13 [.005]</p> <p>.XXX: ±.051 [.0020]</p>	<p>PROPRIETARY NOTE</p> <p>THIS DOCUMENT CONTAINS CONFIDENTIAL AND PROPRIETARY INFORMATION AND ALL DESIGN, MANUFACTURING, REPRODUCTION, USE, PATENT RIGHTS AND SALES RIGHTS ARE EXPRESSLY RESERVED BY SAMTEC, INC. THIS DOCUMENT SHALL NOT BE DISCLOSED, IN WHOLE OR PART, TO ANY UNAUTHORIZED PERSON OR ENTITY NOR REPRODUCED, TRANSFERRED OR INCORPORATED IN ANY OTHER PROJECT IN ANY MANNER WITHOUT THE EXPRESS WRITTEN CONSENT OF SAMTEC, INC.</p>	<p>520 PARK EAST BLVD, NEW ALBANY, IN 47150</p> <p>PHONE: 812-944-6733 FAX: 812-948-5047</p> <p>e-Mail: info@SAMTEC.com code: 55322</p>
		<p>DESCRIPTION:</p> <p>USB A, SINGLE, THRU HOLE</p>
<p>MATERIAL: DO NOT SCALE DRAWING SHEET SCALE: 2:1</p> <p>INSULATOR: PBT, (RATED UL 94V-0)</p> <p>CONTACT: PHOSPHOR BRONZE</p> <p>SHIELD: BRASS, NICKEL PLATED</p> <p>MAX FLASH ALLOWED: .05</p> <p>MAX GATE VESTIGE: .05</p>	<p>DWG. NO.</p> <p>USB-A-S-X-X-TH-X</p>	<p>BY: TIM P. 1/11/06 SHEET 1 OF 1</p>