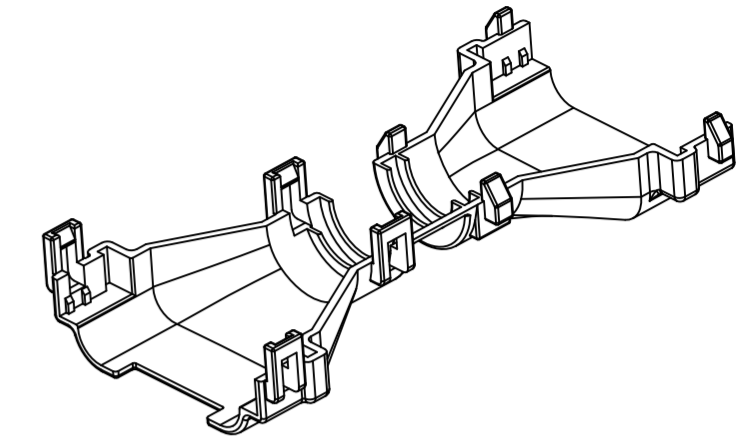
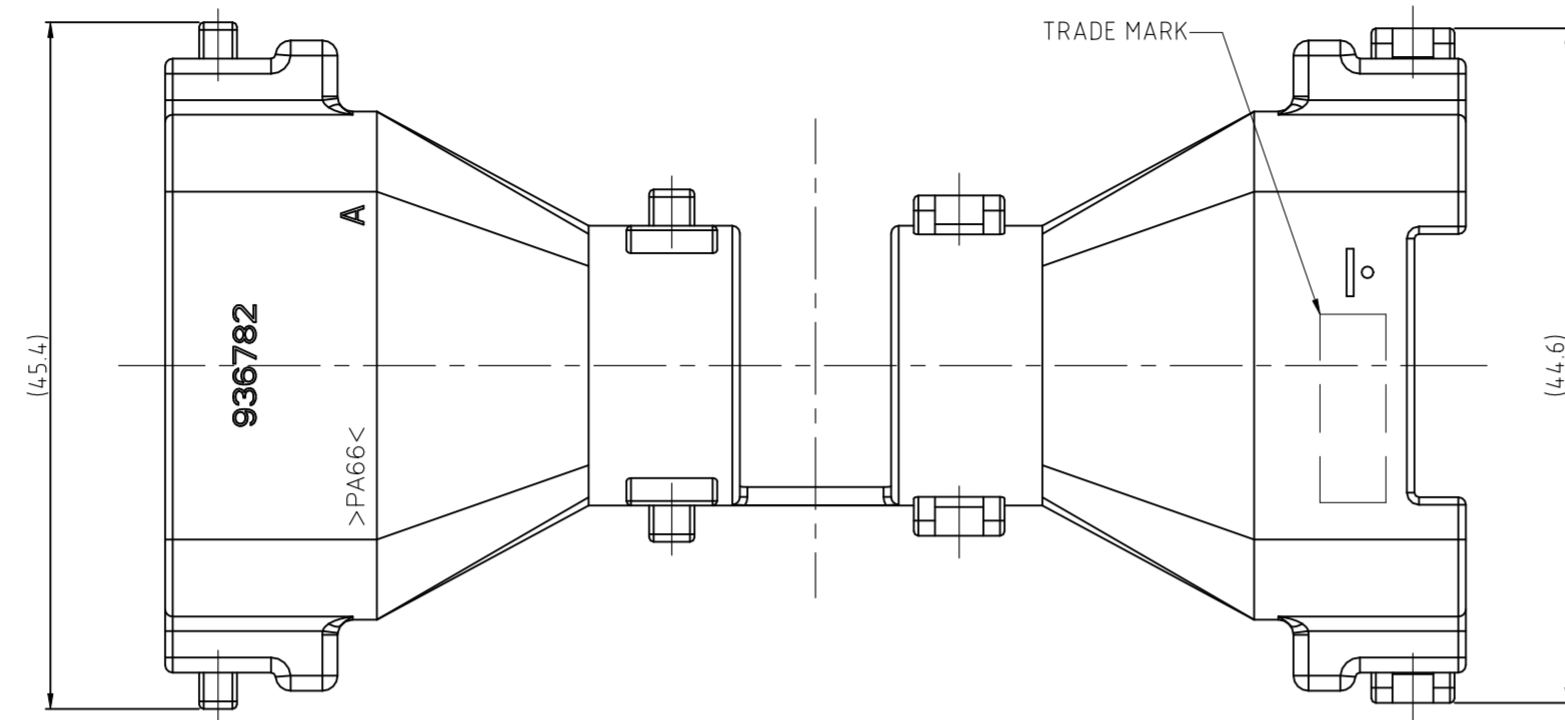
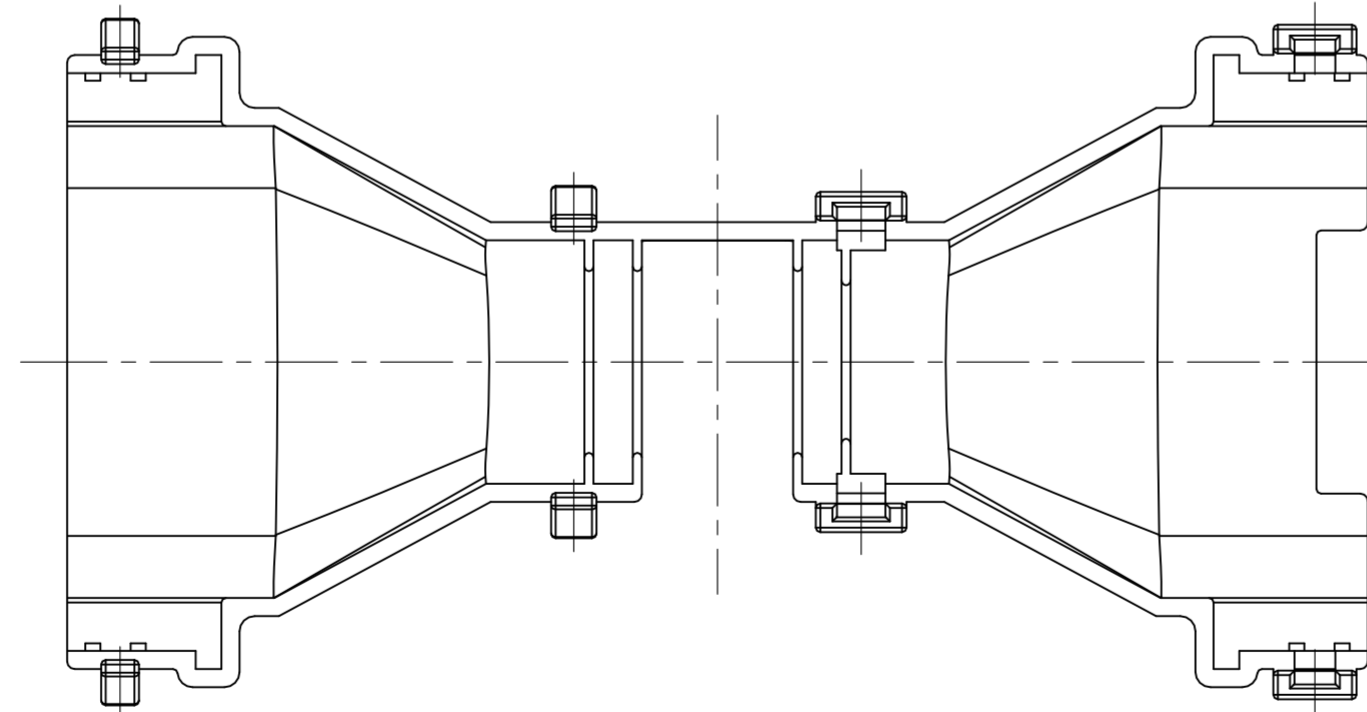
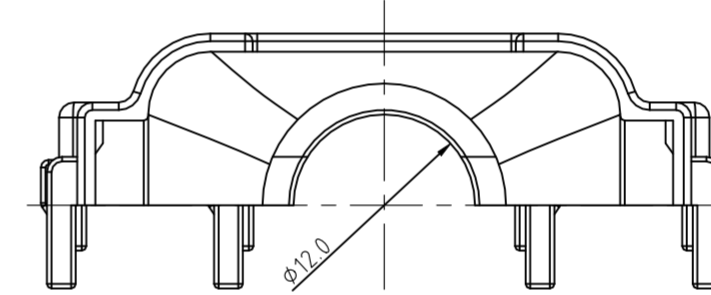
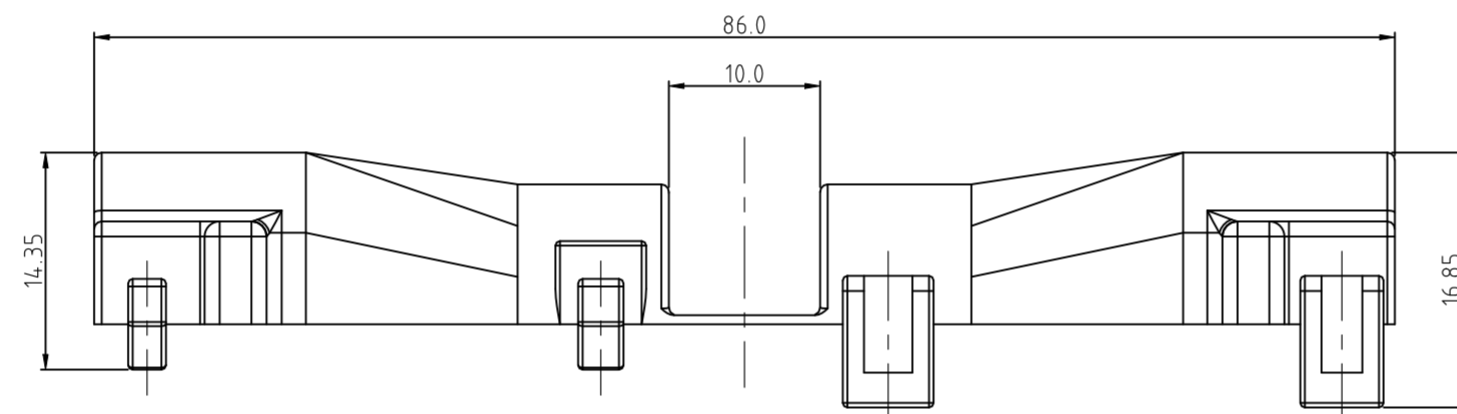
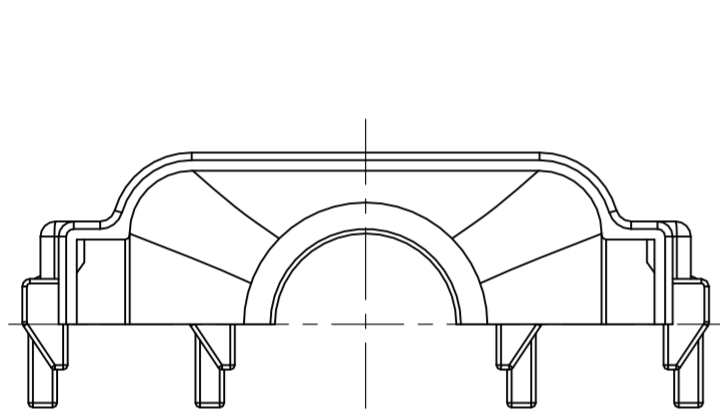


REVISIONS					
P	LTR	DESCRIPTION	DATE	DWN	APVD
C1		REVISED(ECR-23-189679)	13OCT2023	DG	KT



3D-VIEW  
SCALE 1/1



NOTES:

1. WARP IS 0.5 MAX. AND FLASH IS 0.3 MAX.
2. APPLICABLE CONNECTOR : X-936777-X
3. APPLICABLE CORRUGATOR DIAMETER :  $\phi 11.0$
4. GENERAL TOLERANCE IS DECIMALS  $\pm 0.3$ , ANGLES  $\pm 3^\circ$
5. APPLICATION TEST SPEC : MS 210-12(EXCEPT 4.4)

BLACK	PA66	PLUG COVER	0-936782-2
COLOR	MATERIAL	DESCRIPTION	P/N

THIS DRAWING IS A CONTROLLED DOCUMENT.		DWN SJ CHOI																										
DIMENSIONS: mm		CHK JW JUNG																										
TOLERANCES UNLESS OTHERWISE SPECIFIED:		APVD HG CHO	NAME COVER FOR MTII/JPT SLD 20P PLUG ASS'Y																									
<table border="1"> <tr><td>0</td><td>PLC</td><td><math>\pm</math></td><td>-</td></tr> <tr><td>1</td><td>PLC</td><td><math>\pm</math></td><td>-</td></tr> <tr><td>2</td><td>PLC</td><td><math>\pm</math></td><td>-</td></tr> <tr><td>3</td><td>PLC</td><td><math>\pm</math></td><td>-</td></tr> <tr><td>4</td><td>PLC</td><td><math>\pm</math></td><td>-</td></tr> <tr><td colspan="2">ANGLES</td><td><math>\pm</math></td><td>-</td></tr> </table>		0	PLC	$\pm$	-	1	PLC	$\pm$	-	2	PLC	$\pm$	-	3	PLC	$\pm$	-	4	PLC	$\pm$	-	ANGLES		$\pm$	-	PRODUCT SPEC -	SIZE A2	
0	PLC	$\pm$	-																									
1	PLC	$\pm$	-																									
2	PLC	$\pm$	-																									
3	PLC	$\pm$	-																									
4	PLC	$\pm$	-																									
ANGLES		$\pm$	-																									
MATERIAL SEE TABLE		FINISH -	APPLICATION SPEC -	CAGE CODE 00779																								
		WEIGHT	DRAWING NO C=936782	RESTRICTED TO -																								
		CUSTOMER DRAWING	SCALE 2:1	SHEET 1 of 1																								
			REV C1																									