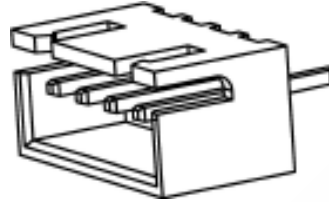
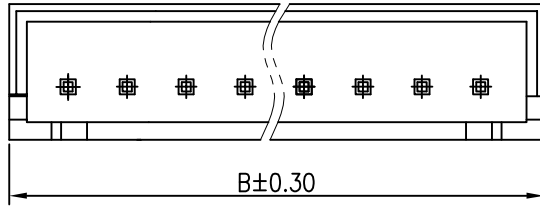
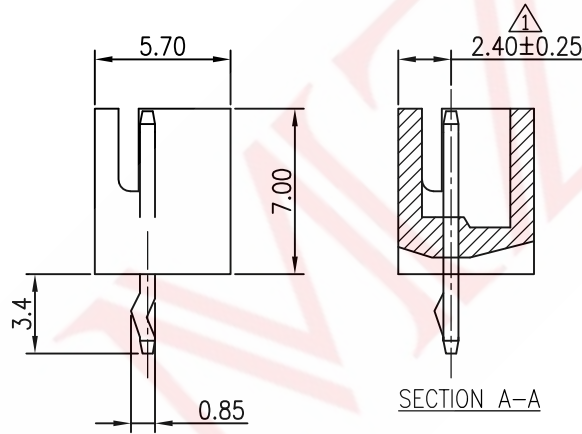
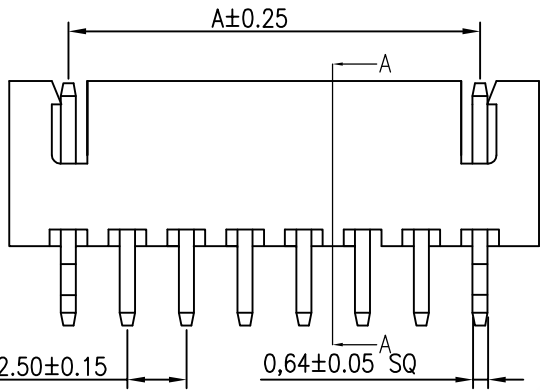


SAMZO REAC/ROHS

REV	ECN NO	DESCRIPTION	DESIGN	APPROVAL	DATE
A1	NEW	Replace frame			2013.06.21



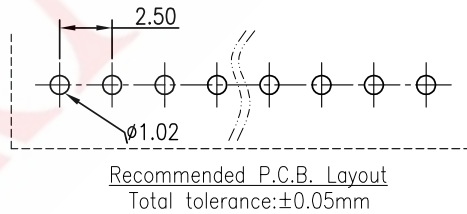
SPECIFICATIONS
 Current rating: 3A AC, DC
 Voltage rating: 250V AC, DC
 Temperature range: -25°C ~ +85°C
 Insulation resistance: 1000MΩ/ min.
 Withstanding voltage: 1000V AC/ minute.
 Contact resistance: 20m Ω/ max.



PART No.	Dimension	
	A	B
02	2.50	7.50
03	5.00	10.00
04	7.50	12.50
05	10.00	15.00
06	12.50	17.50
07	15.00	20.00
08	17.50	22.50
09	20.00	25.00
10	22.50	27.50
11	25.00	30.00
12	27.50	32.50
13	30.00	35.00
14	32.50	37.50
15	35.00	40.00
16	37.50	42.50

A. SERISE: 5L-XH
 B. SPACING: L-2.50mm
 C. MOUNTING: A-LD
 D. STANDARD: A-WAFER
 E: PIN: 02-2P (02-16P)
 F: CODE: 0-PBT/1-PA6T
 G: L PIN/K PIN

5L L A A ** * *
 A B C D E F G



ITEM	DESCRIPTION	MATERIAL	QTY	FINISH/COLOR					
1	针脚	黄铜	N	镀锡					
2	主体	PBT /PA6T	1	白色/高温料			GENERAL TOLERANCE		
					DESIGN	WANGUIFA	2018.06.12	≥0~2<	±0.15
					CHECKED	ZHENGUILAN	2018.06.12	≥2~5<	±0.25
					APPROVED	LILIANJIANG	2018.06.14	≥0~2<	±0.15
								≥5	±0.35

FIRST VIEW

SCALE 1:1 UNIT mm

SAMZO COMPONENTS
 Electronic switch and connector manufacturer

The copyright belongs to samzo parts [China] Co., Ltd. please use the material after samzo parts agree to authorize. The final right of interpretation belongs to samzo parts. WWW.KKK-JP.COM

TITLE: XH2.5-180°-LD
 DWG NO: 5LLA-P2501
 PART NO: 5LLA25013
 MODEL NO: 5 LLA A-**-**-**
 NAME: WAFER CONNECTOR