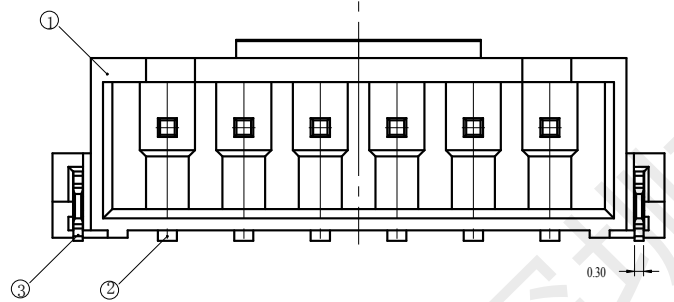
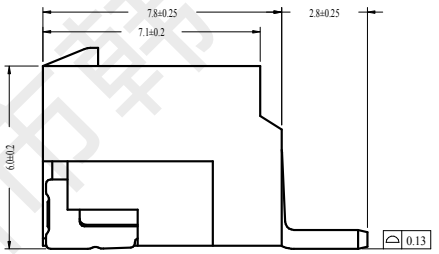
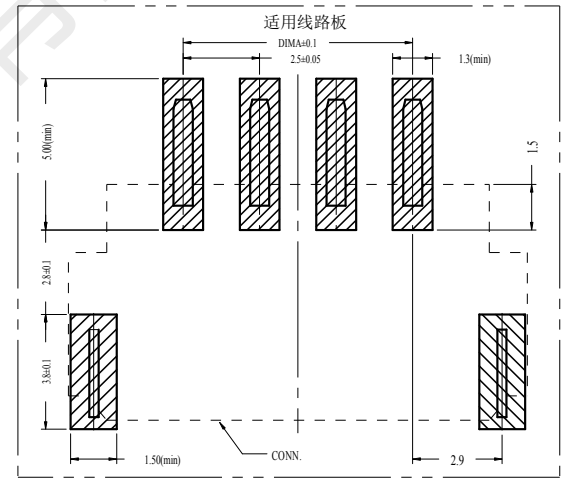
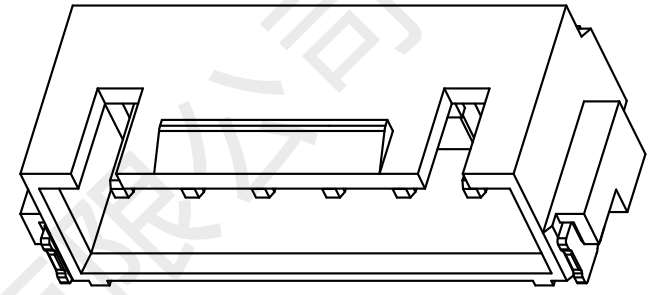
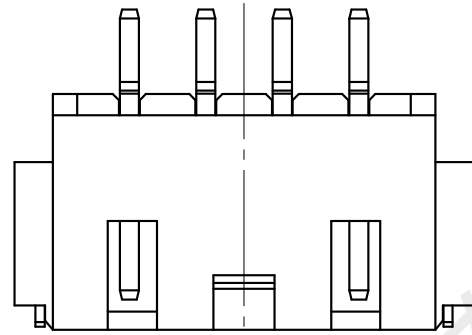
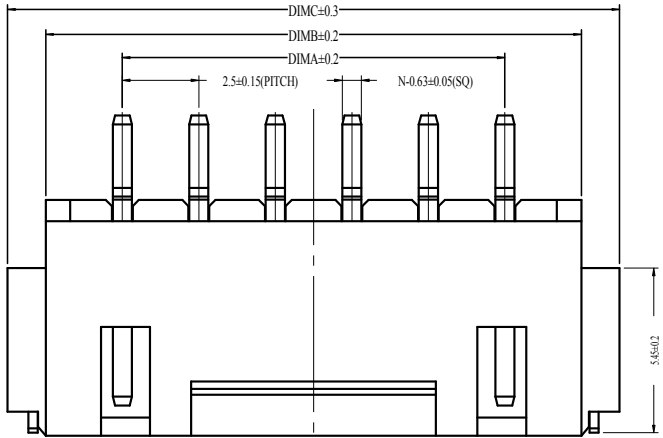


REV.	EC#	DESCRIPTION	DATE	DRAWN	CHECK	APPROVED
1.00		初版发行	2021-04-22			

15	35.00	40.00	42.50
14	32.50	37.50	40.00
13	30.00	35.00	37.50
12	27.50	32.50	35.00
11	25.00	30.00	32.50
10	22.50	27.50	30.00
9	20.00	25.00	27.50
8	17.50	22.50	25.00
7	15.00	20.00	22.50
6	12.50	17.50	20.00
5	10.00	15.00	17.50
4	7.50	12.50	15.00
3	5.00	10.00	12.50
2	2.50	7.50	10.00

Pin	DIM.A	DIM.B	DIM.C
-----	-------	-------	-------

1. 工作温度: $-25^{\circ}\text{C} \sim 85^{\circ}\text{C}$.
2. 适用线规: AWG#30~#22.
3. 额定电压: 250V DC/AC(rms).
4. 额定电流: 3.0A.
5. 接触电阻: $\leq 20\text{m}$.
6. 耐压值: 1000V AC/minute.
7. 绝缘电阻: $\geq 1000\text{M}$.



3	FITTING NAIL	2 PCS	材质:磷青铜,电镀:光亮锡60u"MIN
2	PIN	n PCS	材质:黄铜,电镀:光亮锡60u"MIN
1	Housing	1 PCS	材质:LCP (UL94V-0),颜色:本色或黑色
NO.	NAME	Q'TY	DESCRIPTION

韩下 HANXIA 深圳市韩下电子有限公司

DRAW :	黄彬	2021-04-22	TITLE:	WAFER 2.5BWT A SMT	DRAW NAME:		
DESIGN:			SERIES:	2021 SERIES	HX 2.54-2P WTDK		
CHECK:	张伟	2021-04-22	P/N:		DRAW NO.:		
APPROVED	罗小春	2021-04-22	CUSTOMER DRAWING	REV. 1.00	SCALE	N/A	UNIT: mm
					SHEET:	1/1	

GENERAL TOLERANCES			
DIM	TOL	DIM	DEG
X.		X°	$\pm 3.00^{\circ}$
X.X	± 0.35	X.X°	$\pm 2.00^{\circ}$
X.XX	± 0.25	X.XX°	$\pm 1.00^{\circ}$
X.XXX	± 0.15	X.XXX°	