

Actuator

17-
381352Z

Distribution by
DigiKey

DigiKey



<https://digikey.eao.com/p/17-381352Z>

Your product:



17-381352Z Actuator

FRONT

Front dimension:	Ø 18,3 mm
Front form:	round
Reflector:	Plastic, Black

MOUNTING

Mounting cut-out:	Ø 16.2 mm
Design:	raised

OPERATING-/INDICATION PART

Lens cap shape:	flush
Illumination colour:	Yellow

ELECTRICAL CHARACTERISTICS

Lumi. Intensity:	1250 mcd
Operating voltage:	24 V DC ±10 %
Polarity:	Anode (+) Brass plug-in connector Cathode (-) Brass tinned plug-in connector
Operation current:	16 mA ±15 %

MECHANICAL CHARATERISTIC

Weight: 0.007 kg
Tightening torque: Fixing nut max. 0.2 Nm
Terminal: Plug-in terminal, 2.8 x 0.8 mm

AMBIENT CONDITION

IP Protection: IP40 front side, IP65 front side, according to IEC 60529
Storage temperature: - 25 °C ... + 80 °C
Operating temperature: - 20 °C ... + 60 °C

CERTIFICATE

Conformities: 2011 / 65 / EC (RoHS), 2014 / 35 / EU (230 VAC)
Approbations: UL

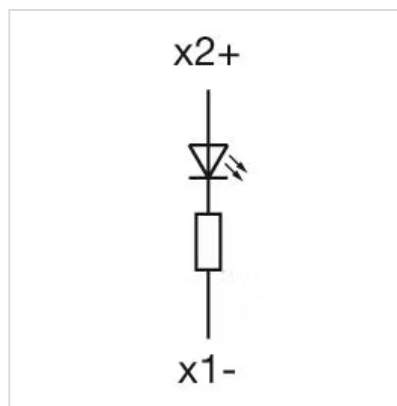
OTHER

Kind of illumination: Single-LED

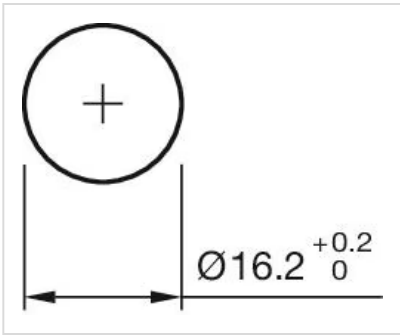
Hints: Connectors: Brass terminal = anode (+); brass tinned terminal = cathode (-), IP67 front side gap between LED and reflector and gap between reflector and frontplate sealed to IP67 when using the supplied gasket., The plastic is limited resistant to chemicals.

Short Description: Actuator, Ø 16.2 mm, Ø 18,3 mm, round, Plug-in terminal, 2.8 x 0.8 mm, Yellow

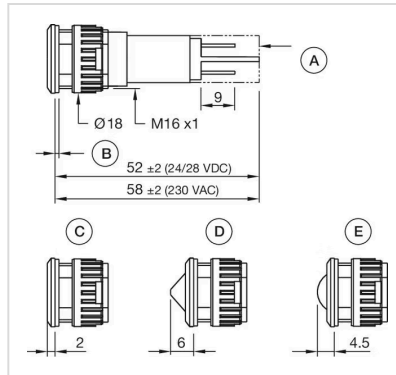
Wiring diagrams:



Mounting cut-outs:



Dimension drawings:



- A = Protection tube (only 230 VAC)
- B = 1 gasket
- C = flat
- conical
- D = round