



# Board support, die-cast zinc (2xM2.5)

SCHROFF

Catalog Number: 60807-181

[Back To Product](#)

- For fixing PCB to front panel
- For plug-in units with: IEL/IET insertion/extractor handles XL insertion/extractor handles Extractor handle, trapeziform, type 2 Extractor handle in trapezoidal form Extractor handle in key form 1 Extractor handle in key form 2 Trapeziform handles without extraction function

**Mechanics:**

PCB covers and PCB case

**Description:**

PCB bracket

**Product family:**

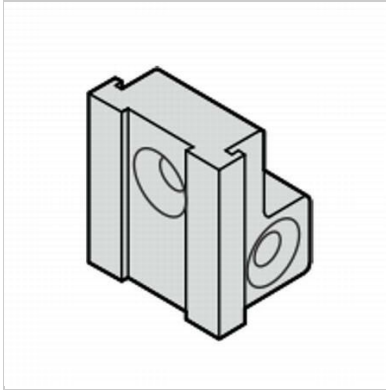
PCB Accessories

**Note:**

- Required quantity at 6 U : 4 units
- Required quantity at 3 U : 2 units
- Delivery is in standard pack multiples. Pricing is per individual item

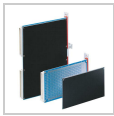
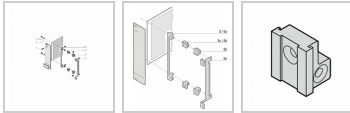
**Product family:**

Plug-in units



5c

Other Views



Select product specifications before modifying or adding to project list or requesting a quote.

Material

Die-cast Zinc

[Clear Selection](#)

\* Country / Region

United States

Quantity

1

Add Item to Project List +

Links



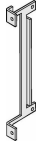
Native CAD files

## Technical Data

Qty	1 piece (SPQ 10)
Delivery is exclusively made in Standard Pack Quantity (SPQ)	10
Material	Zn die-cast
Item	13c
Description	Board support, die-cast zinc, with thread M2.5, for front panel and PCB fixing
Required number at 3 U	2
Required number at 6 U	4

## Delivery Comprises:

Item	Quantity	Description
5c	1	PCB support, die-cast zinc, with M2.5 thread for fixing to front panel and board



Board support, plastic, double (4xM2.5), 1pcs (SPQ10) 60807-011

Add Item to Project List +



Washer (D2.7 DIN 125), steel nickel plated, PU 100 pcs 21100-721

Add Item to Project List +

**EXPLORE**

- About Us
- Services & Capabilities
- News & Events
- Newsletter Subscriptions
- Strategic Partnerships
- Investor Relations

**CONTACT**

- Customer Service
- Find a Sales Office or Distributor
- Global Locations
- Product Compliance & Certifications
- Partner Login

**DOWNLOAD**

- Download Center
- Reference Projects
- Videos
- Product Configurators
- Warranties and Terms of Sale & Procurement

Connect With Us

