

TMC 8 B END CAP - Wiring bridge end cover



2907999

<https://www.phoenixcontact.com/us/products/2907999>

Please be informed that the data shown in this PDF document is generated from our online catalog. Please find the complete data in the user documentation. Our general terms of use for downloads are valid.

Protective end covers for TMC 8 bus bars



Commercial data

| | |
|--------------------------------------|--------------------------------|
| Item number | 2907999 |
| Packing unit | 1 pc |
| Note | Made to order (non-returnable) |
| Sales key | CL08 |
| Product key | CLA125 |
| GTIN | 4055626352978 |
| Weight per piece (including packing) | 2.78 g |
| Weight per piece (excluding packing) | 222.222 g |
| Customs tariff number | 85362010 |
| Country of origin | DE |

TMC 8 B END CAP - Wiring bridge end cover



2907999

<https://www.phoenixcontact.com/us/products/2907999>

Technical data

Product properties

| | |
|------|-------|
| Type | Cover |
|------|-------|

Material specifications

| | |
|-------|-----------------------|
| Color | light grey (RAL 7035) |
|-------|-----------------------|

TMC 8 B END CAP - Wiring bridge end cover

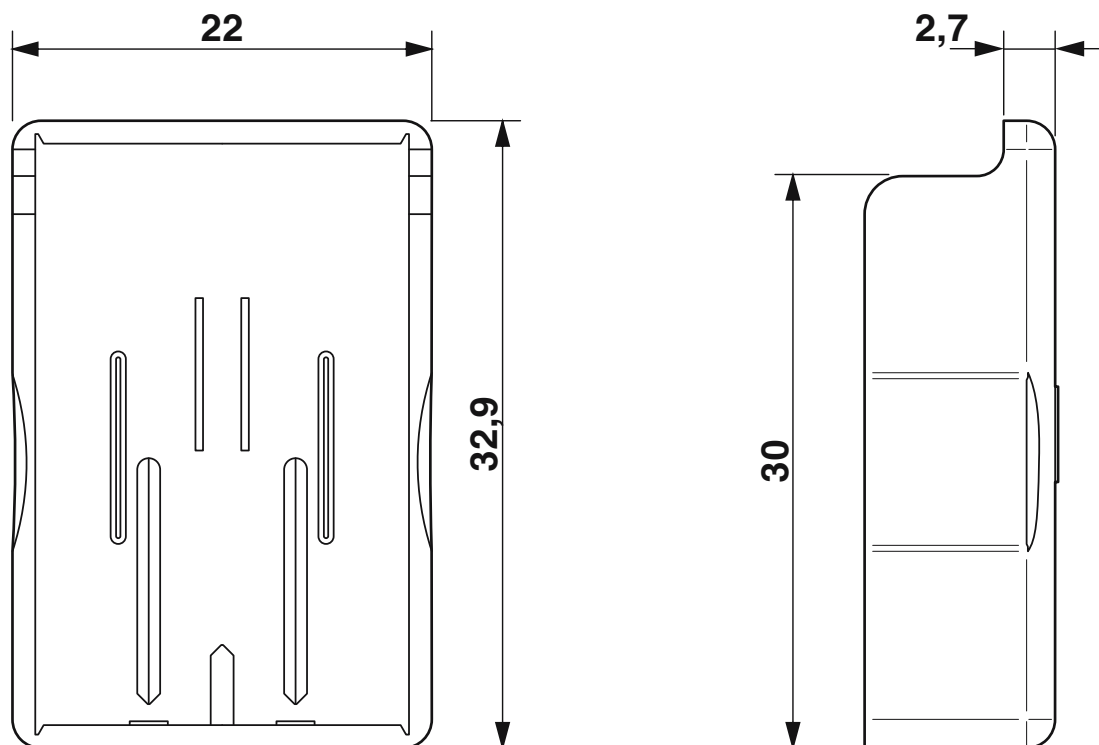
2907999

<https://www.phoenixcontact.com/us/products/2907999>



Drawings

Dimensional drawing



TMC 8 B END CAP - Wiring bridge end cover



2907999

<https://www.phoenixcontact.com/us/products/2907999>

Approvals

To download certificates, visit the product detail page: <https://www.phoenixcontact.com/us/products/2907999>



UL Listed

Approval ID: FILE E 123528



cUL Listed

Approval ID: FILE E 123528

cULus Listed

TMC 8 B END CAP - Wiring bridge end cover

2907999

<https://www.phoenixcontact.com/us/products/2907999>



Classifications

ECLASS

| | |
|-------------|----------|
| ECLASS-11.0 | 27140492 |
|-------------|----------|

TMC 8 B END CAP - Wiring bridge end cover



2907999

<https://www.phoenixcontact.com/us/products/2907999>

Environmental product compliance

EU RoHS

| | |
|---|--------------------|
| Fulfills EU RoHS substance requirements | Yes, No exemptions |
|---|--------------------|

China RoHS

| | |
|--|--|
| Environment friendly use period (EFUP) | EFUP-E |
| | No hazardous substances above the limits |

EU REACH SVHC

| | |
|-------------------------------------|----------------------------|
| REACH candidate substance (CAS No.) | No substance above 0.1 wt% |
|-------------------------------------|----------------------------|

Phoenix Contact 2024 © - all rights reserved
<https://www.phoenixcontact.com>

Phoenix Contact USA
586 Fulling Mill Road
Middletown, PA 17057, United States
(+717) 944-1300
info@phoenixcon.com