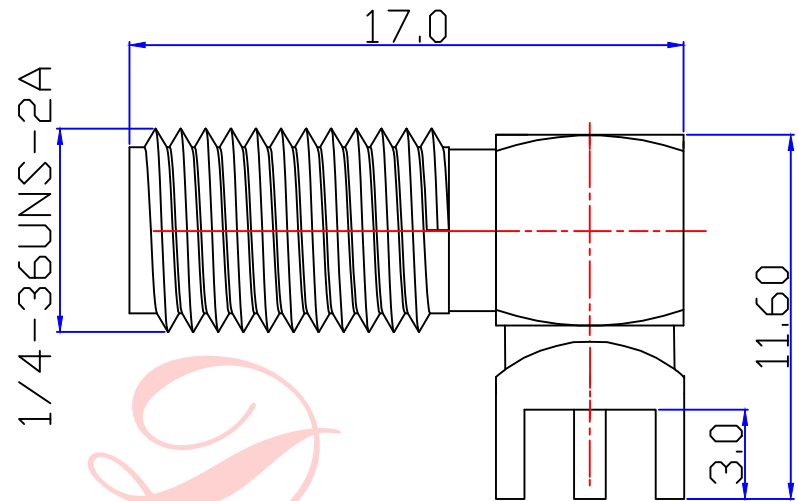


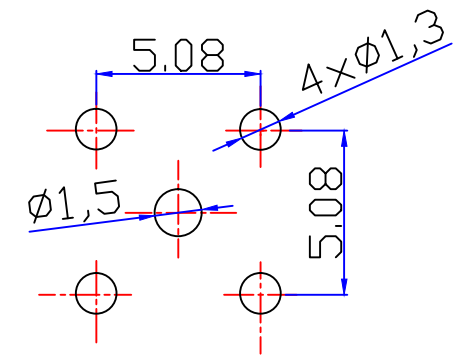
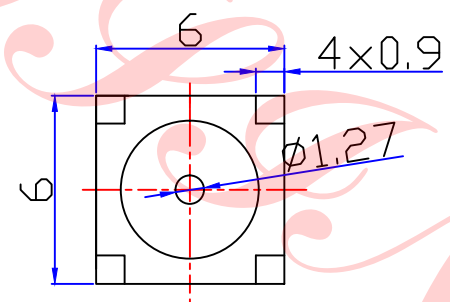


Product NO.		DOSIN-806-0261		
REV	DESCRIPTION	DWN	DATE	APPROVEN
A	First issue	Mr. CHEN	2017/05/16	John kine



Specifications:

IMPEDANCE: 50 Ohms
 Frequency range: 0~6GHZ
 VSWR: 1.5MAX
 Working voltage: 500V rms @ sea level
 Insulation resistance: 5000 Ohms min
 Temperature range: -65°C TO +165°C
 Relative temperature: ≤95% (40° C ± 2° C)



1	Body	Brass	GOLD	NOTE:	Tolerance	X.	±0.15	Dosing Industrial (H.K) Co. Ltd 东莞市德索五金电子制品有限公司 Dosing Hardware Electronics Co., Ltd	E-mail: dosin2005@163.com	
2	Insulator	TEFLON	White			X.X	±0.10		dosin2005@dosin-china.com	
3	Center contact	Brass	GOLD			X.XX	±0.05		Web: http://www.dosinconn.com	
4						Angular	±5°		TEL: (0086) 769-81153906	
5				DRAWN		Name: SMA R/A JACK FOR PCB		FAX: (0086) 769-81875836		
6				Zelin. CHEN	View					
7				CHECKED	UNIT	MM	SIZE	Product NO.	REV	
8				APPROVALS	SCALE	1:1	A	DOSIN-806-0261	A	
9				John			DateTime	CAD FILE		
10	Component Number	Material	Finish				2017/05/16	H/company drawings/BD	SHEET: 1 OF 1	