

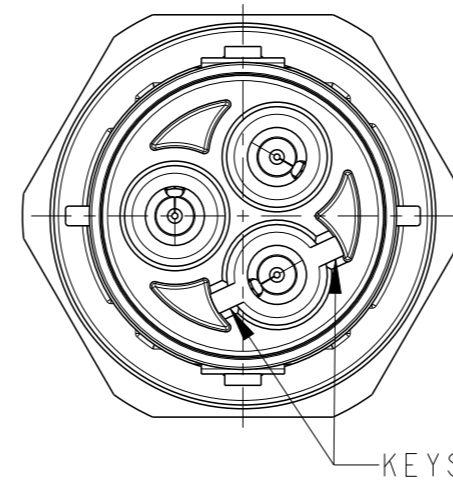
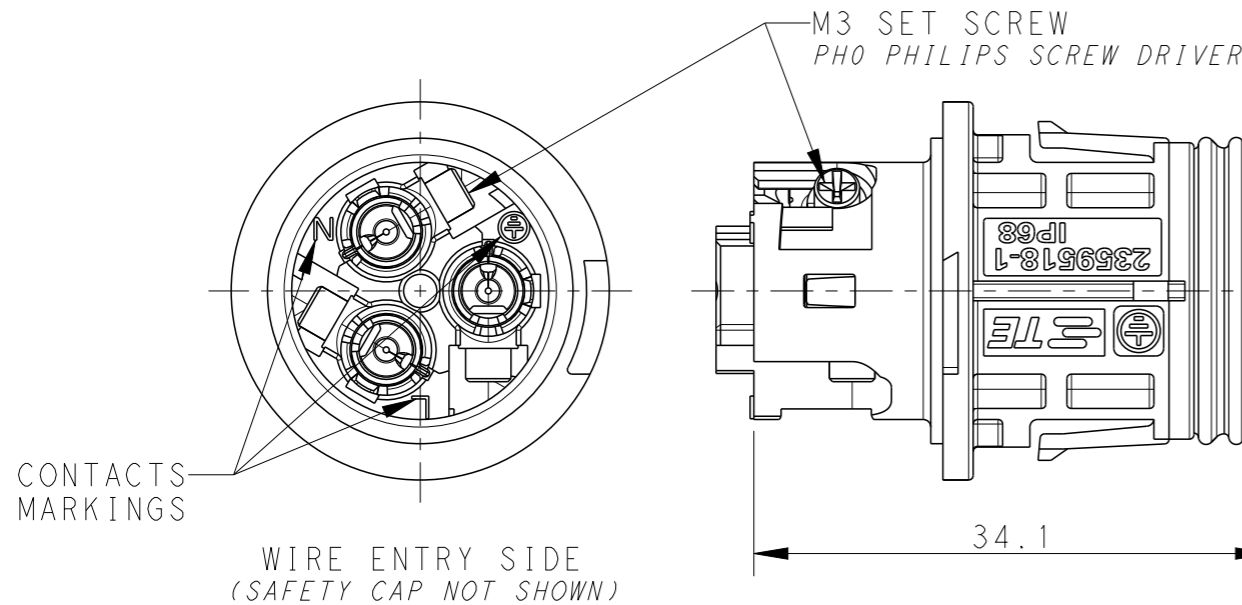
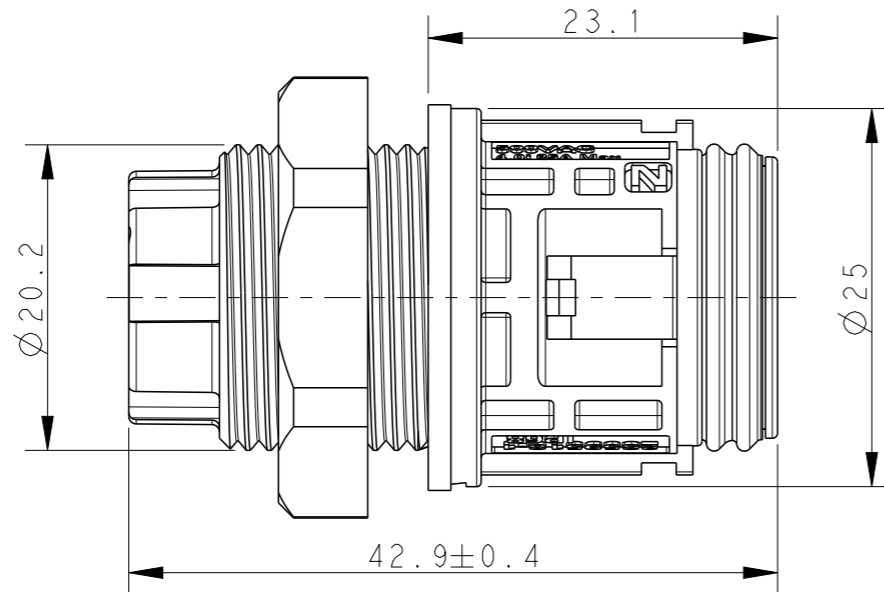
P	LTR	DESCRIPTION	DATE	DWN	APVD
1		INITIAL ISSUE	19AUG2020	SM	MZ
2		DRAFTING UPDATES	03SEP2020	SM	MZ
A		PRODUCT UNDER TESTING	24NOV2020	SM	MZ
A1		RELEASED	18MAR2022	SM	MZ

NOTES:

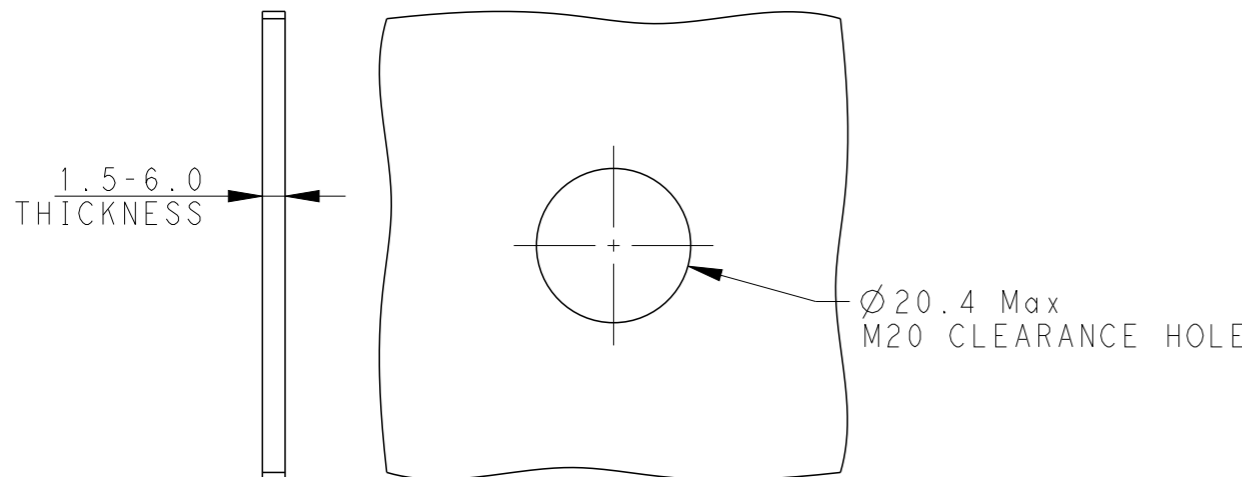
1. PART NUMBERS: 1-2359518-1 AND 1-2359518-2 ARE CRIMPED CONTACT VERSIONS. CONTACTS SUPPLIED SEPARATELY ON REELS, MUST PURCHASED ACCORDING TO WIRE SIZES. BELOW ARE THE CONTACT PART NUMBERS:

CONTACT P/N	WIRE SIZE
2359528-1	1.5mm ² TO 2.5mm ² 16AWG TO 14AWG
2359528-2	4.0mm ² 12AWG
2359528-3	18AWG

- MATERIALS:
PLASTICS: PBT+PC ALLOY, UL-V0, UV-F1
CONTACTS: COPPER ALLOY, TIN PLATED
SCREWS : STAINLESS STEEL
- OPERATING RATINGS :
VOLTAGE (max): 600Vac Max
CURRENT (max): 25A ON 4.0mm² & 20A ON 12AWG
TEMPERATURE : -40°C TO 85°C
IP RATING : IP67 & IP68
- FOR ASSEMBLY INSTRUCTIONS, REFER APPLICATION SPECIFICATION 114-133123
- PACKAGING: PPQ 200 pcs IN PE BAG



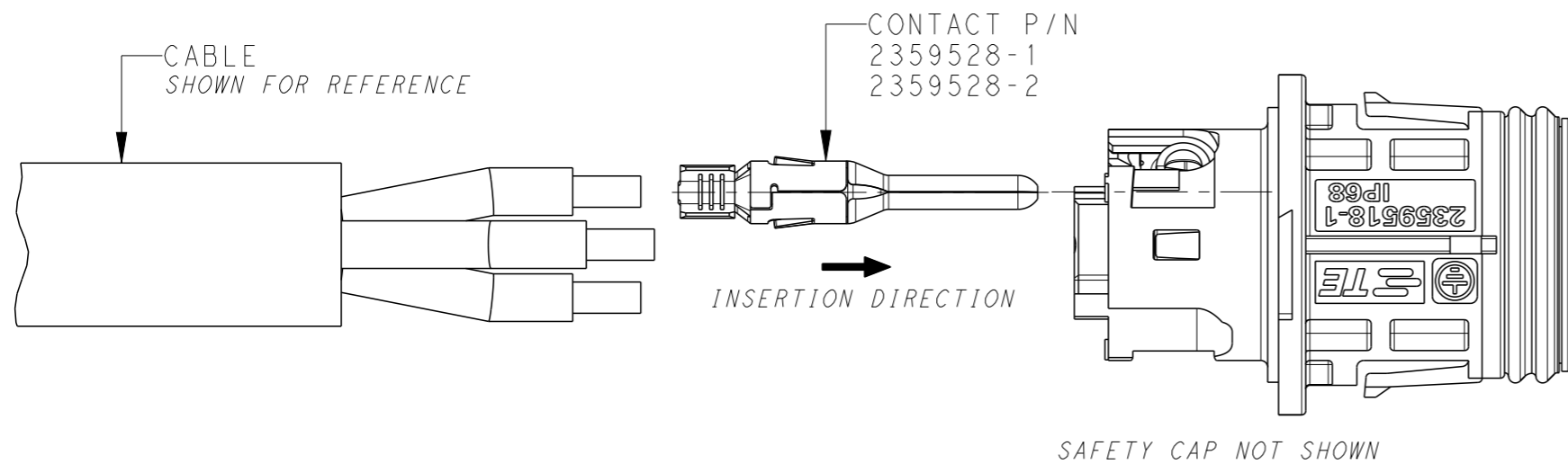
PANEL CUT-OUT RECOMMENDED SIZE



KEY	TERMINATION TYPE	DESCRIPTION	PART NUMBER
KEY B	CRIMP	PANEL MOUNT PIN CONNECTOR	1-2359518-2
KEY A			1-2359518-1
KEY B	SCREW	PANEL MOUNT PIN CONNECTOR	2359518-2
KEY A			2359518-1

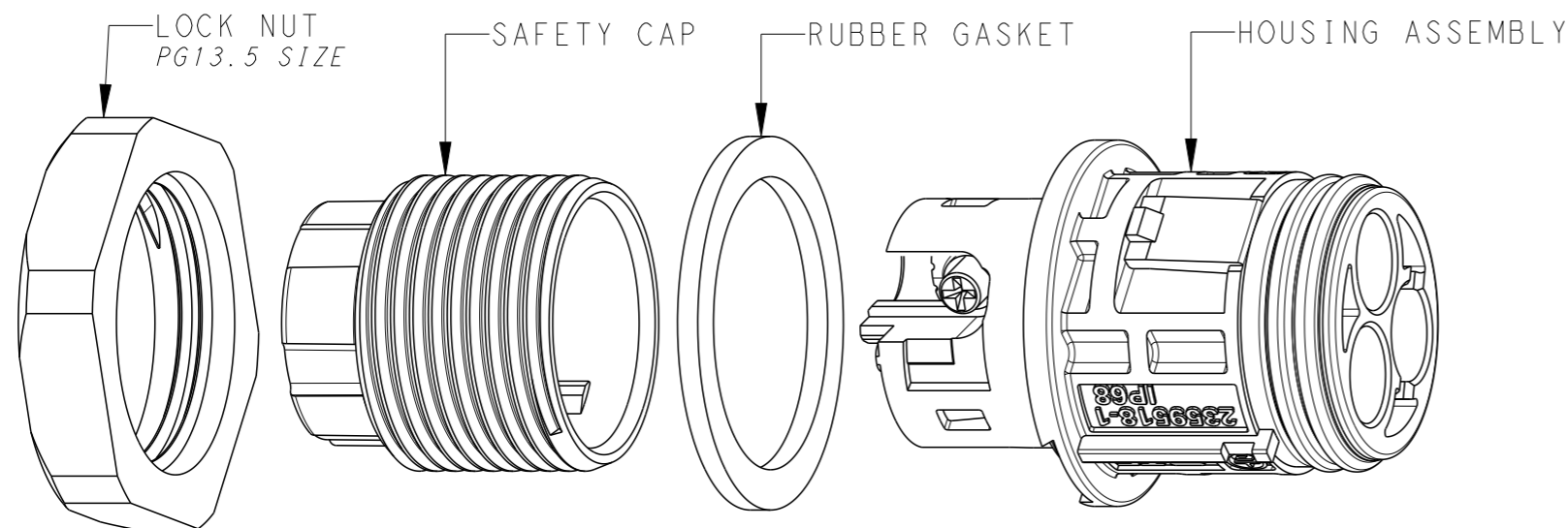
THIS DRAWING IS A CONTROLLED DOCUMENT.		DWN	19AUG2020	TE Connectivity	
DIMENSIONS: mm		CHK	03SEP2020		
TOLERANCES UNLESS OTHERWISE SPECIFIED:		APVD	24NOV2020		
0 PLC ±0.2 1 PLC ±0.2 2 PLC ±0.1 3 PLC ± 4 PLC ± ANGLES ±1°		PRODUCT SPEC	108-133123		
MATERIAL		APPLICATION SPEC	114-133123	NAME	
		WEIGHT	-	NECTOR T, 3Pos, PIN CONNECTOR PANEL MOUNT	
		CUSTOMER DRAWING		SIZE	A3
				CAGE CODE	00779
				DRAWING NO	C-2359518
				RESTRICTED TO	-
				SCALE	2:1
				SHEET	1 OF 2
				REV	A1

CRIMP TERMINATION TYPE
 1-2359518-1 & 1-2359518-2
 REFER 114-133123 FOR DETAILED INSTRUCTION



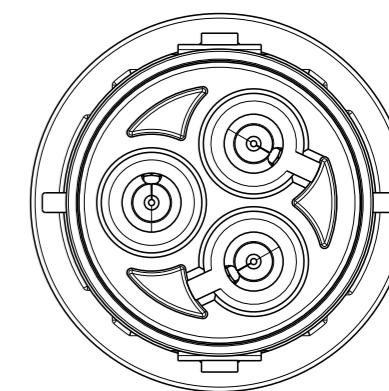
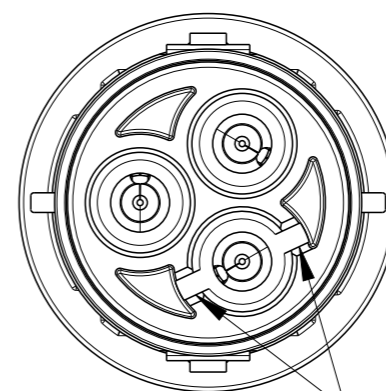
REVISIONS					
P	LTR	DESCRIPTION	DATE	DWN	APVD
-		SEE SHEET 1	-	-	-

EXPLODED COMPONENTS



POLARIZING KEY A
 2359518-1
 1-2359518-1

POLARIZING KEY B
 2359518-2
 1-2359518-2



KEYS

THIS DRAWING IS A CONTROLLED DOCUMENT.		DWN SUBHASH.M 19AUG2020	TE Connectivity		
DIMENSIONS: mm		CHK M. ZUCCA 03SEP2020			
TOLERANCES UNLESS OTHERWISE SPECIFIED:		APVD PETER OTT 24NOV2020	NAME NECTOR T, 3Pos, PIN CONNECTOR PANEL MOUNT		
0 PLC ±0.2		PRODUCT SPEC 108-133123	SIZE A3	CAGE CODE 00779	DRAWING NO C-2359518
1 PLC ±0.2		APPLICATION SPEC 114-133123	RESTRICTED TO		
2 PLC ±0.1		WEIGHT -	SCALE 2:1		
3 PLC ±		CUSTOMER DRAWING	SHEET 2 OF 2		
4 PLC ±			REV A1		
ANGLES ±1°					
MATERIAL -					
FINISH -					