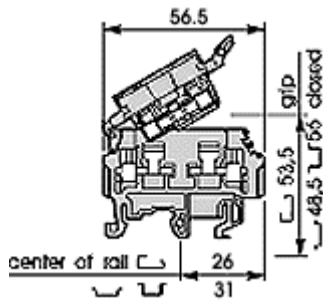


M 4/8.SF - Up to 10A, 8 mm spacing, with or without indicator.

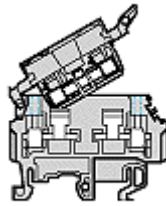
With or without indicator, the blocks can be ganged for multiple pole operation. A profile matching standard block, [M 4/8](#), allows easy wiring of fuse/line applications.

* Blocks with LED indicators are labeled "+" on the outside of the lever.
The indicator can be reversed in the field if required.

Spacing 8 mm (.315")



M 4/8.SF 8 mm block.

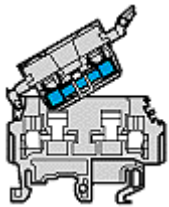


with blown fuse indicator

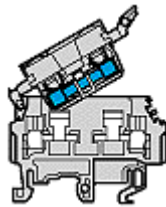
M 4/8.SFL with neon lamp 110 V - 220 V

M 4/8.SFD with LED 24 V

M 4/8.SFD1 with LED 48 V



M 4/8.SFT equipped with two test sockets 2 mm (.079") DIA. (in screws).



with blown fuse indicator equipped with two test sockets 2 mm (.079")

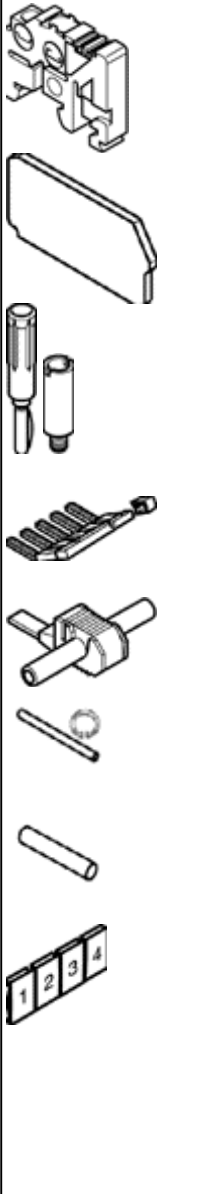
M 4/8.SFLT with neon lamp 100 V - 220 V

M 4/8.SFDT with LED 24 V

M 4/8.SFDT1 with LED 48 V

		Type	P/N
Standard blocks	Grey body	M 4/8.SF	115 657.25
	Orange body	M 4/8.SF2	105 135.11
	Beige VO	M 4/8.SFVO	195 657.26

Equipped blocks	With test screws	M 4/8.SFT	115 662.22	
	Ind. 110-220 VAC	M 4/8.SFL	115 661.21	
	Ind. 24 VDC	M 4/8.SFD	115 663.23	
	Ind. 8 VDC	M 4/8.SFD1	115 664.24	
	Ind. 110-220 VAC + test	M 4/8.SFLT	115 667.27	
	Ind. 24 VDC + test	M 4/8.SFDT	115 665.25	
	Ind. 48 VDC + test	M 4/8.SFDT1	115 666.26	
Characteristics		DIN-VDE	UL	CSA
Wire size mm² / AWG	Solid wire	0-4	22-12 AWG	18-12 AWG
	Stranded wire	0-4		
Rated voltage	V AC / = DC	500/600GrC(1)	600	250
Rated current	A	6.3	10	10
Rated wire size	mm ² / AWG	4 mm ²	12 AWG	12 AWG
Wire stripping length	mm / inches	9.5 mm / .37"		
Recommended torque	Nm / lb.in	0.4-0.6 Nm / 3.5-5.3 lb.in		

Accessories		Type		P/N	
	End stop (all rails)	BAM	th. 9.1	103 002.26	
	End section	grey	FEM8S	th. 1.5	116 951.15
		orange	FEM8S	th. 1.5	103 923.15
	Test socket	DIA. 2 mm	--		--
		DIA. 3 mm	--		--
	Test plug	DIA. 2 mm	FC2		007 865.26
	Comb-type jumper bar Isolating cover	10 poles	PC81		173 523.11
	IDC jumper		AD2.5		114 205.20
	Assembly rod	2 poles	TGA8		168 672.11
		3 poles	TGA8		168 673.12
		4 poles	TGA8		168 674.13
	Assembly ring		ANT		168 675.14
	Disconnect link bar		CN5		168 804.07
	Fuse 5 x 20 mm and 5 x 25 mm 250 V More ratings available. Consult Entrelec.	FU520	0.5 A		008 288.15
			1 A		008 290.13
			2 A		008 291.00
			3.15 A		008 289.16
			5 A		008 292.01
		FU525	1.6 A		167 546.22
2 A				167 547.23	
2.5 A				167 548.04	
4 A				167 549.05	
6.3 A				167 550.02	
See markers section	RC810 - RC65 - RC610 - RC510				

(1) Insulation voltage of terminal block - operating voltage: according to fuse.