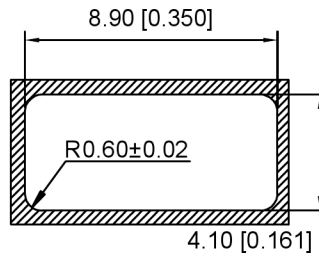
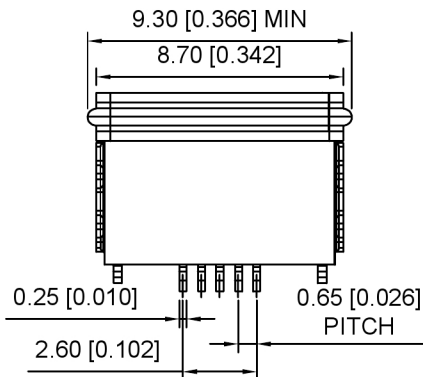


NOTES:

- MATERIAL:
HOUSING: LCP, BLACKUL94V-0;
TERMINAL: COPPER ALLOY. THICKNESS:0.15mm; SHELL: STAINLESS STEEL, THICKNESS:0.30mm;
METAL TAB:STAINLESS STEELTHICKNESS:0.25mm;
SEALING RING:SILICON RUBBER.
- PLATING:
TERMINAL: CONTACT AREA: GOLD FLASH OVER MINIMUM 0.75MICRON Pd/Ni;
SOLDER TAIL AREA: GOLD FLASH UNDER PLATING: NICKEL 2.0MICRON MINIMUM
SHELL / METAL TAB: 2.0MICRON MINIMUM MATTE TIN OVER
1.27MICRON MINIMUM NICKEL UNDER PLATING.
- TAIL COPLANARITY 0.08mm MAXIMUM.
- PRODUCT SPECIFICATION: PK-105296-002.
- PACKAGE SPECIFICATION: PS-105296-001.
- PRODUCTS MEET IP67 TEST REQUEST.
- COMPLIANT TO ROHS DIRECTIVE 2011/65/EU AND ELV 2000/53/EC.



RECOMMENDED OPENING DIMENSIONS OF CASE MATING AREA WITH SEALING RING

广东星坤科技股份有限公司

| | | |
|------|--|-------------|
| Δx | | 日期 |
| Δx | | 日期 |
| Δx | | 日期 |
| MARK | | DESCRIPTION |

文件工程章

| REVISIONS | | | | DATE | REVISED | APPROVED | UNSPECIFIED TOLERANCES |
|-----------|--|--|--|------|---------|----------|------------------------|
| | | | | | | | |

www.helloxkb.com www.helloxkb.cn www.xk-dg.cn

| | | | |
|---------------------------------------|--|-------------|--------------------------|
| DSND | | SCALE: N/A | MODEL TYPE: MICRO USB |
| DWN | | VIEW: | PART NO.: |
| CHKD | | UNIT: mm/in | DWG NO.: |
| APPD | | SIZE: A4 | U-E-M5SS-Y-6 |
| XKB INDUSTRIAL PRECISION CO., LIMITED | | | WEIGHT |
| | | | SHEET |
| | | | REVISION |
| | | | 1/1 |
| | | | A0 |

